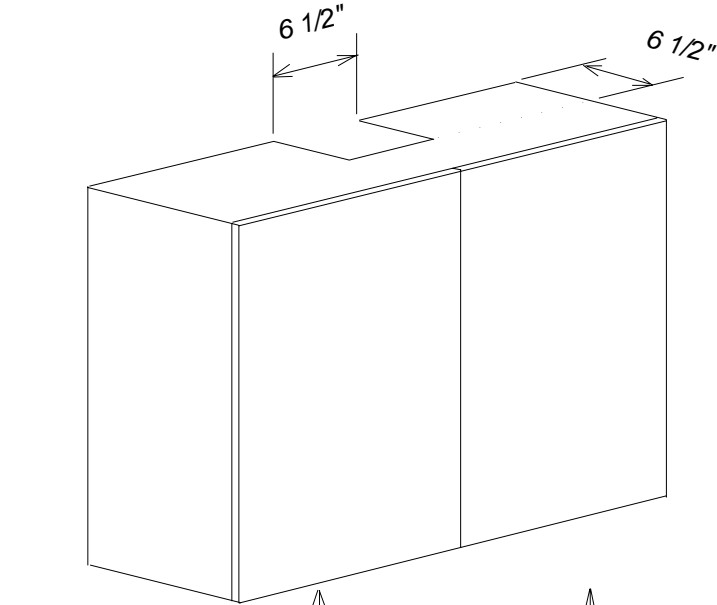


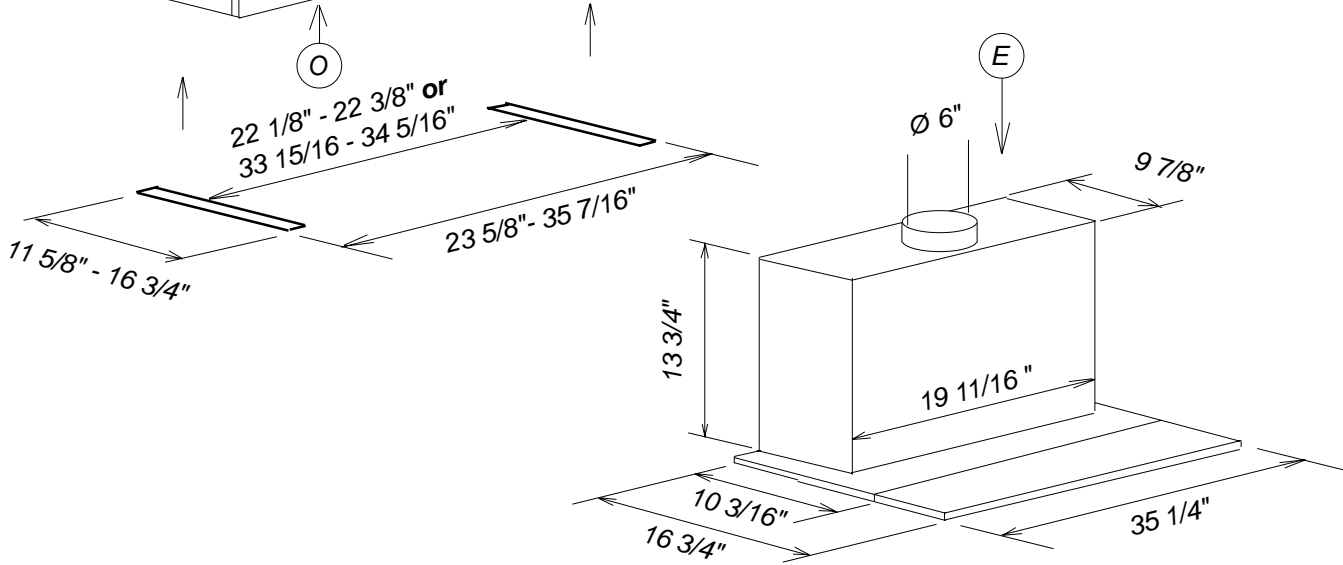
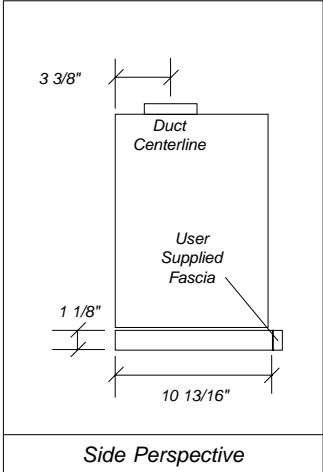
Product and Cut-out Dimensions Built-in Ventilation System DA3190



IMPORTANT INFORMATION

Unit must be installed through the front of the cabinet. Cabinet should not be designed with lower rail.

Unit may be installed in cabinets with the following widths:
24", 36", 60cm, 90cm



Location Codes	
E -	5 foot - 120 Volt - 15 Amp 3-wire molded plug power supply connects right rear top.
O -	Standard 110 Volt outlet
Notes	
<ul style="list-style-type: none"> • All installations must be done in accordance with local codes. • Center unit over cooking surface • Distance "S" is determined by the cooking surface. Minimum distance "S" is: <ul style="list-style-type: none"> - 24" for electric surfaces - 24" for gas surfaces based on BTU output (see hood instructions for details) 	

NOTE: Drawing is not to scale.
SPECIFICATION SHEETS 011208