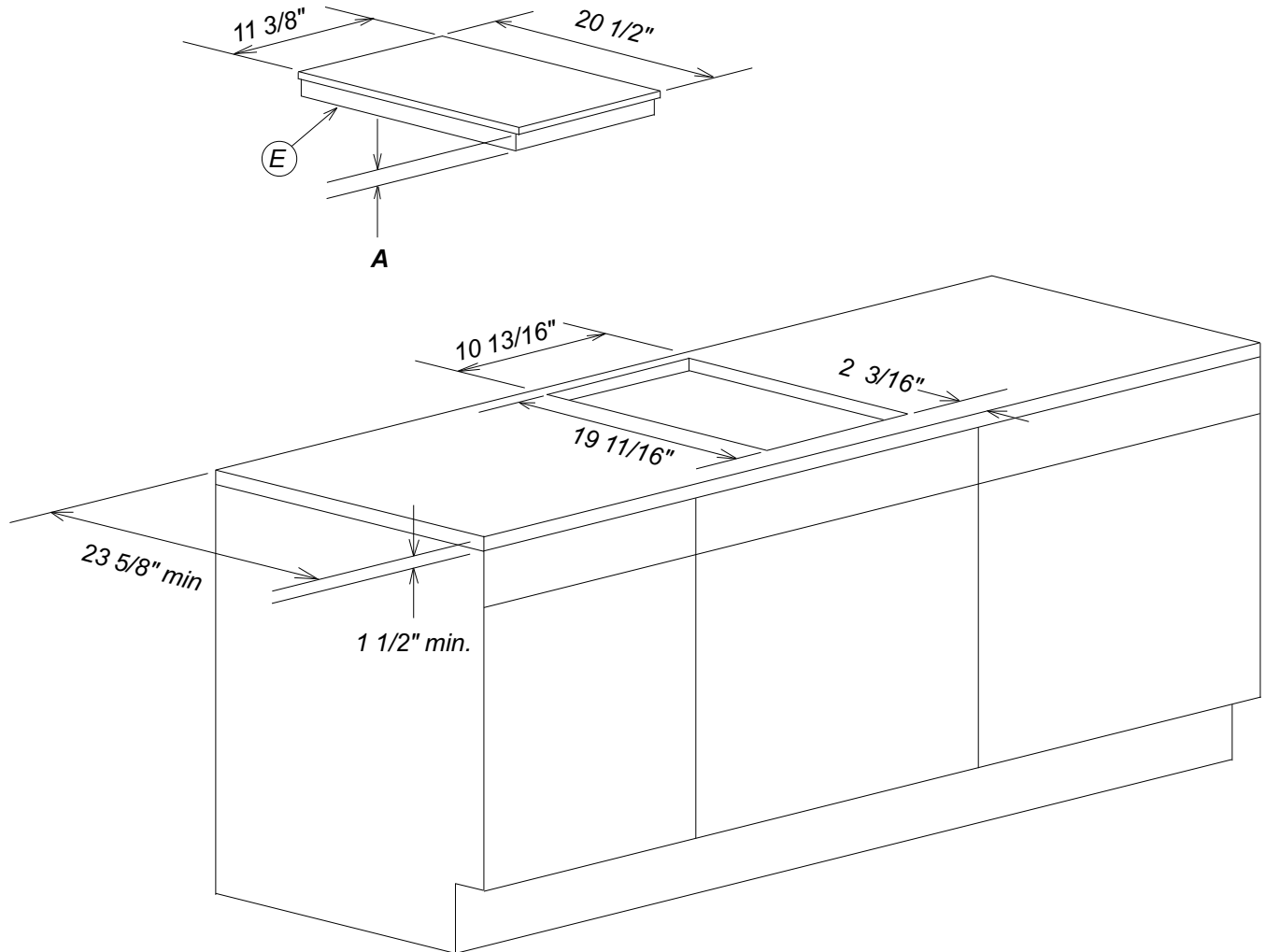


Product and Cut-out Dimensions CS1X1X Series CombiSet Program Narrow Width units



| Location Codes |
|---|
| E - Power supply connects rear right bottom. Electrical requirements vary by unit |
| Notes |
| • All installations must be done in accordance with local codes. |

| Depth "A" Details | | |
|-------------------|---------|---------|
| Model | Max "A" | Housing |
| CS1011 | 4 3/16" | 2 1/4" |
| CS1012 | 4 3/16" | 2 1/4" |
| CS1112 | 3 5/8" | 2 1/4" |
| CS1212 | 4 7/16" | 3 1/8" |
| CS1312 | 6 3/4" | 4" |
| CS1411 | 10 3/4" | 8" |

NOTE: Drawing is not to scale.
SPECIFICATION SHEETS 041210