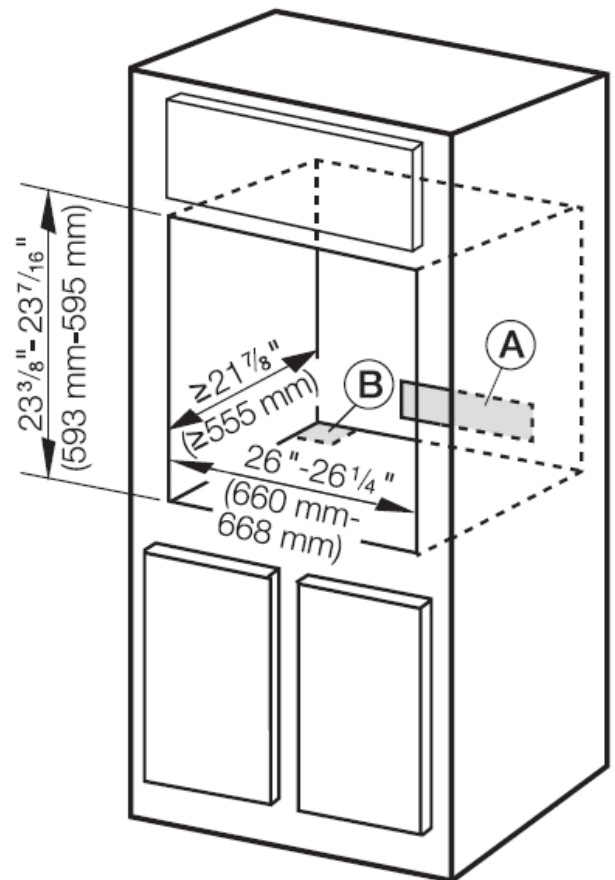
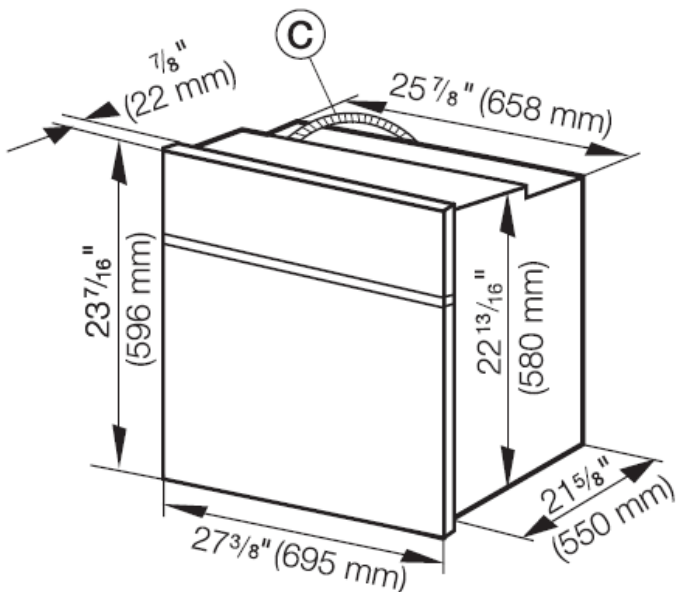


Product and Cut-out Dimensions 70 cm Single Oven

H 4784 BP

H 4786 BP

A - Vent cut-out (min. 24" ² / 150 cm ²) possible at rear or platform of cabinet



Location Codes

B – Cut-out for power cord (min. 4" ² / 10 cm ²)

C – 7.2 foot (2.2 m) power cord with a NEMA 14-30 P molded plug ready for connection to a:

120/240 V, 20 A, 60 Hz power supply.

or

120/208 V, 20 A, 60 Hz power supply.

Height to base of oven

Locate 30" - 33" from floor

Based on user height of 5'6" to 5'10"

Notes

All installations must be done in accordance with local codes.

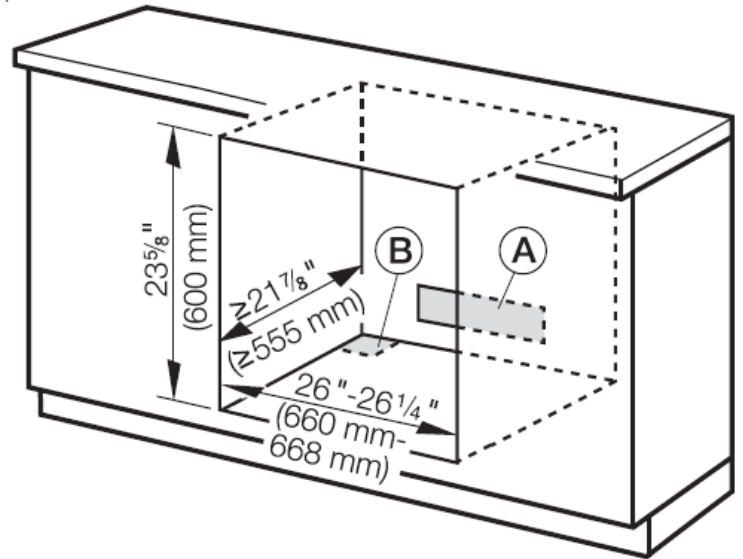
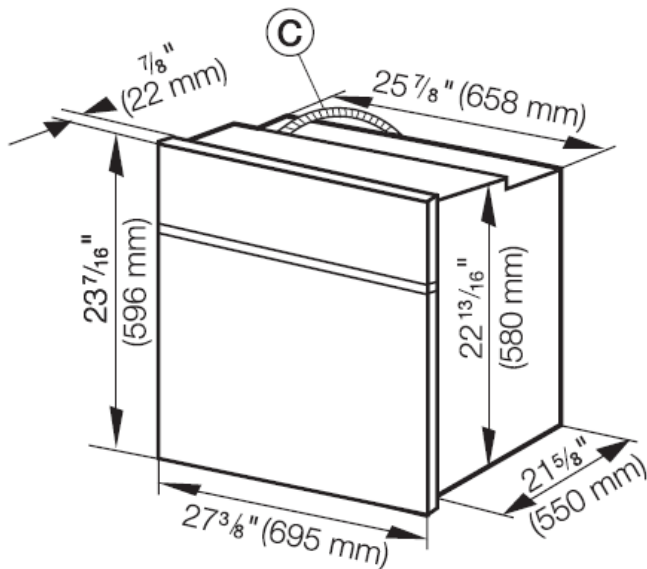
Note: Drawing is not to scale

Specification Sheets OJS 09262011

Product and Cut-out Dimensions 70 cm Single Oven H 4784 BP H 4786 BP

When installed under a cooktop regard the installation instructions and dimensions of the cooktop

A - Vent cut-out (min. 24" ² / 150 cm ²) possible at rear or platform of cabinet



Location Codes

- B** – Cut-out for power cord (min. 4" ² / 10 cm ²)
- C** – 7.2 foot (2.2 m) power cord with a NEMA 14-30 P molded plug ready for connection to a:
120/240 V, 20 A, 60 Hz power supply.
or
120/208 V, 20 A, 60 Hz power supply.

Notes

All installations must be done in accordance with local codes.

Note: Drawing is not to scale

Specification Sheets OJS 09262011