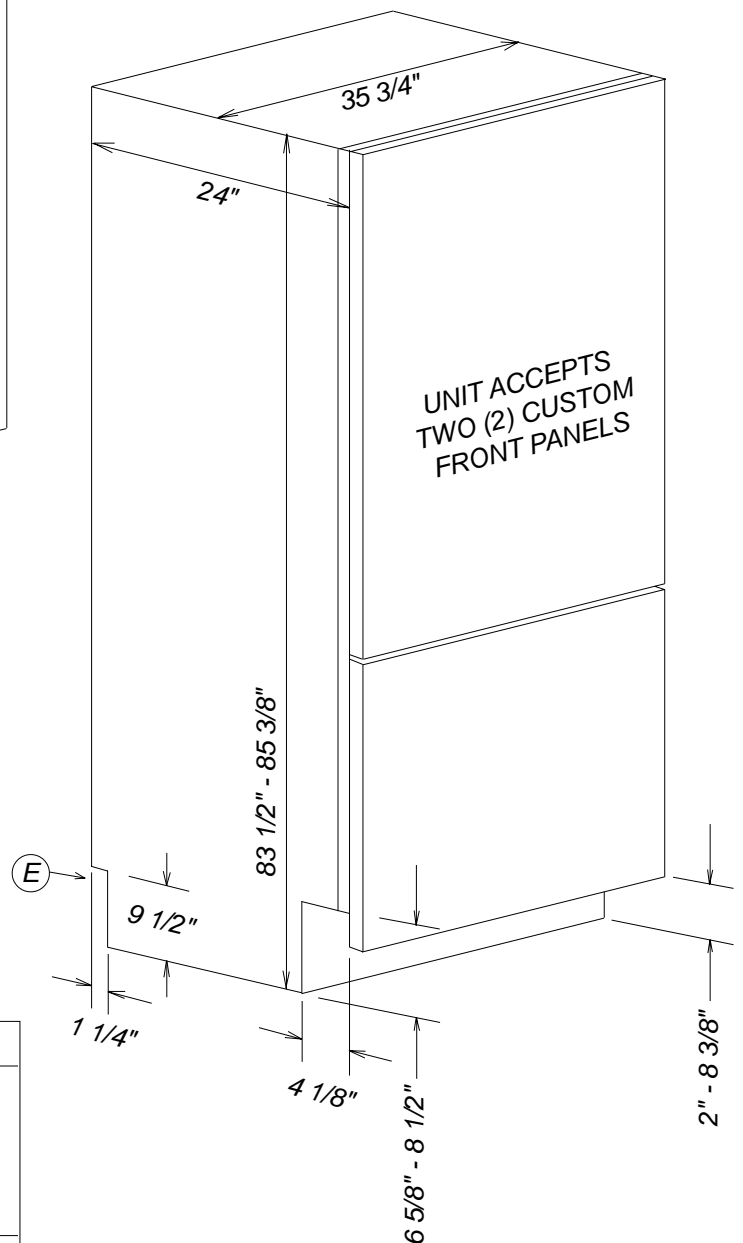
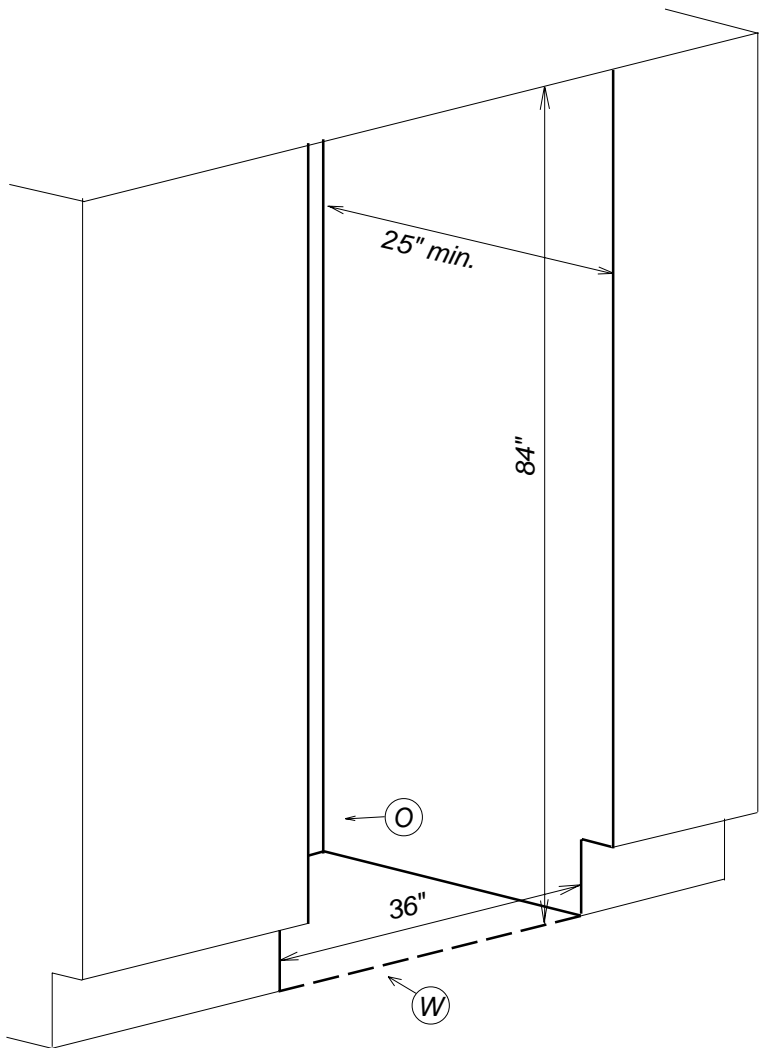


Product and Cut-out Dimensions KF1911Vi / KF1901Vi



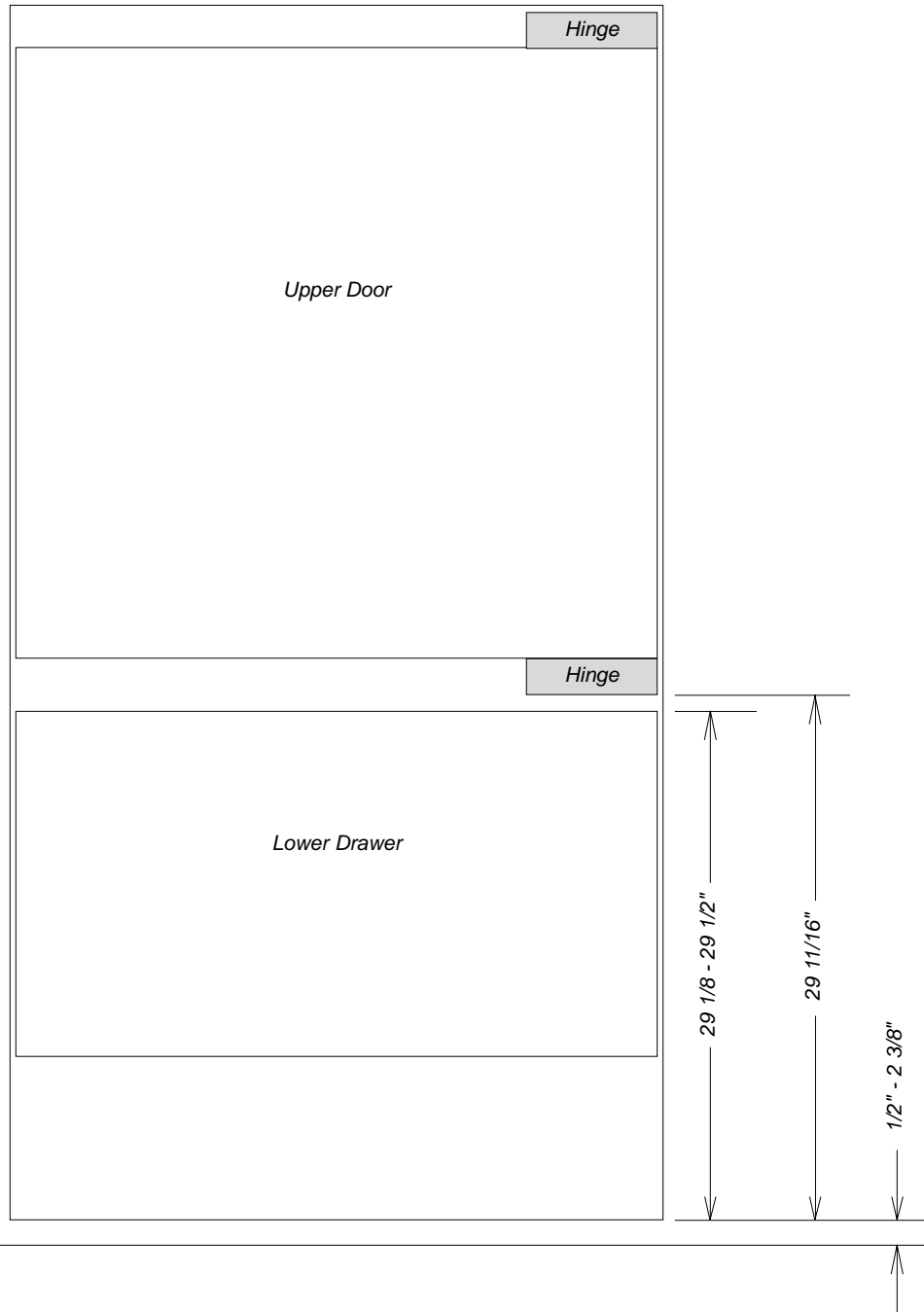
Location Codes
E - 5 foot - 120 Volt - 15 Amp 3-wire molded plug power supply connects lower left rear.
O - Standard NEMA 5-15 Outlet - locate less than 9" above finished floor
W - 1/4" flexible water line - tape to floor
Notes
<ul style="list-style-type: none"> • All Installations must be done in accordance with local codes • Sides of adjoining cabinets should be filled (flush to frame) to insure proper fit and finish

NOTE: Drawing is not to scale.
SPECIFICATION SHEETS 011208

Product and Cut-out Dimensions

KF1911Vi / KF1901Vi

Lower hinge location



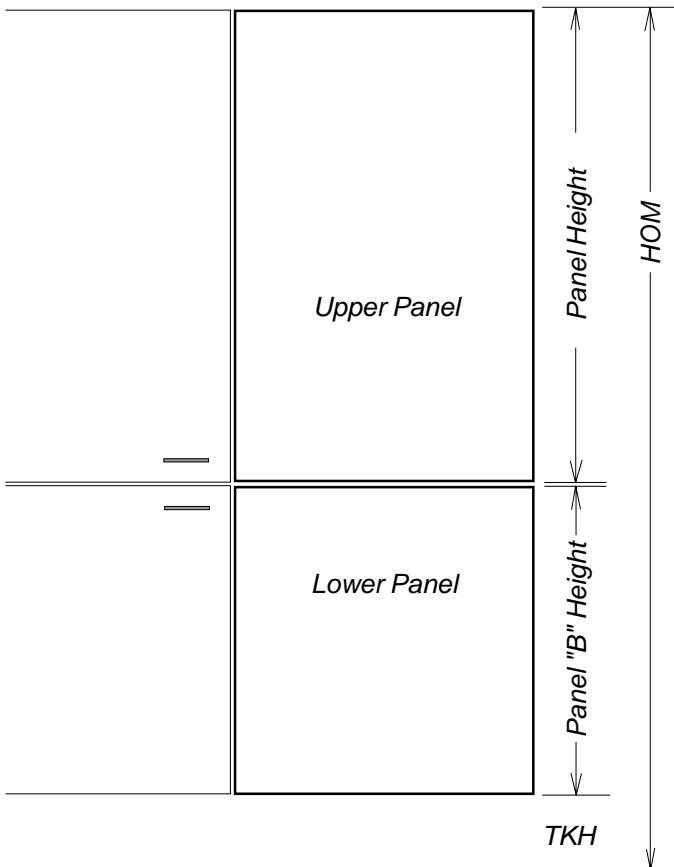
Front Panel Information Fully Integrated Model



Custom Panel Installations

These units do not come equipped with a front panel. They are designed to accept a custom door panel supplied by the cabinet maker. Miele has a unique panel integration system which allows the panels to align with the surrounding cabinets.

Panel size is determined in the following manner:



Width: 35 3/4" in all cases
Thickness: Minimum 3/4" outside frame

Standard Upper Panel Height: 53 5/16"

Notes: Finish back side of panels to insure appearance
 Panel may extend above unit. This is **not** considered in height calculation

Maximum hinge capacity: 200 Pounds

Maximum panel weight: 70 Pounds

Lower Panel Height: Use the following calculation:

$$\text{Panel Height} = \text{HOM} - 53 \frac{9}{16} - \text{TKH}$$

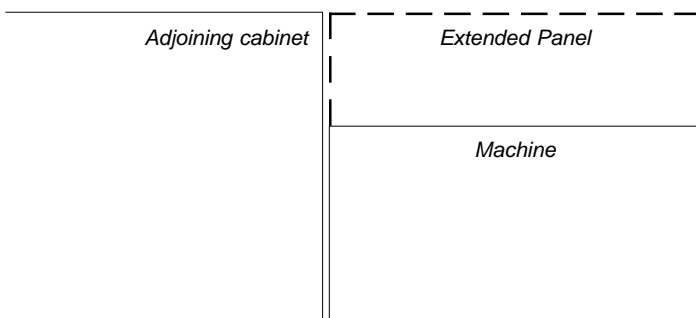
HOM = Total height of machine. Can be adjusted to match adjoining cabinets - **typically 84"**
 HOM is adjustable between 83 1/2" - 85 3/8"

TKH = Toe-kick height (2" - 8 3/8")

Maximum panel weight: 31 Pounds

Upper Panel Notes

If the adjoining cabinets are taller than the height of machine (HOM) - the upper panel may be extended accordingly. Find the difference between height of the adjoining cabinets and the height of machine (HOM) and add to 53 5/16"



Example:
 Adjoining cabinet height: 87"
 Height of machine: 84"
 Difference: 3"
 Extended panel height: 56 5/16"

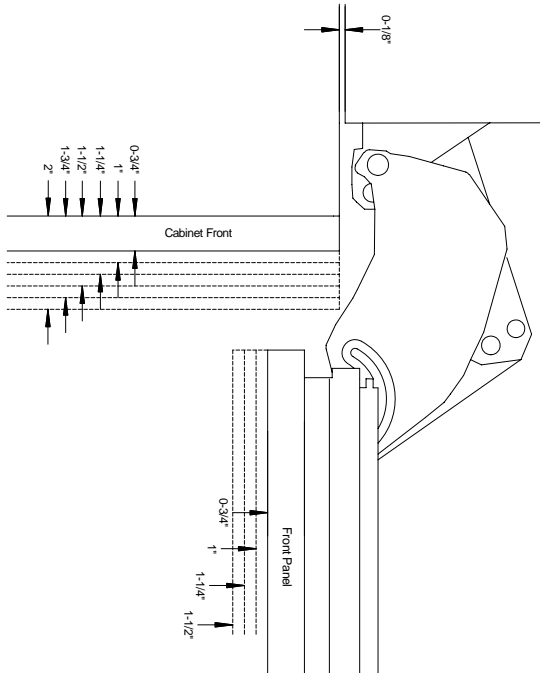
Front Panel Information

Hinging Details

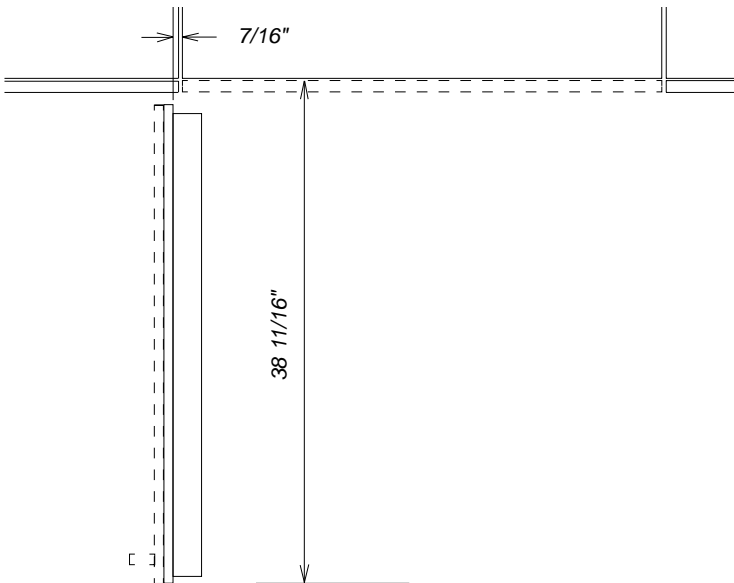


90° Door

Thickness options



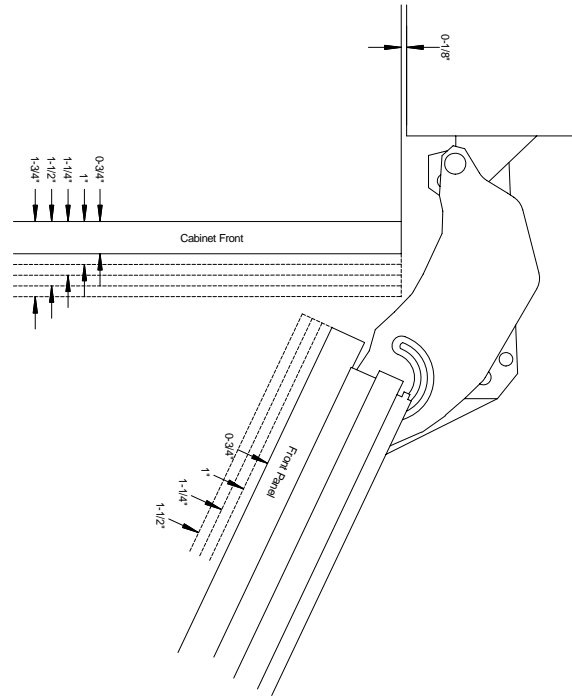
Door Swing



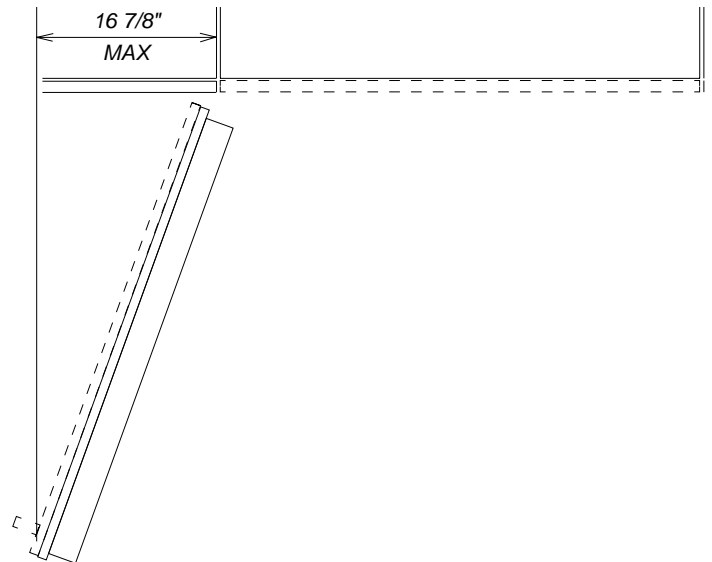
NOTE: Additional space needed depending on thickness of front panels and handle used

115° Door

Thickness options



Door Swing



NOTE: Additional space needed depending on thickness of front panels and handle used