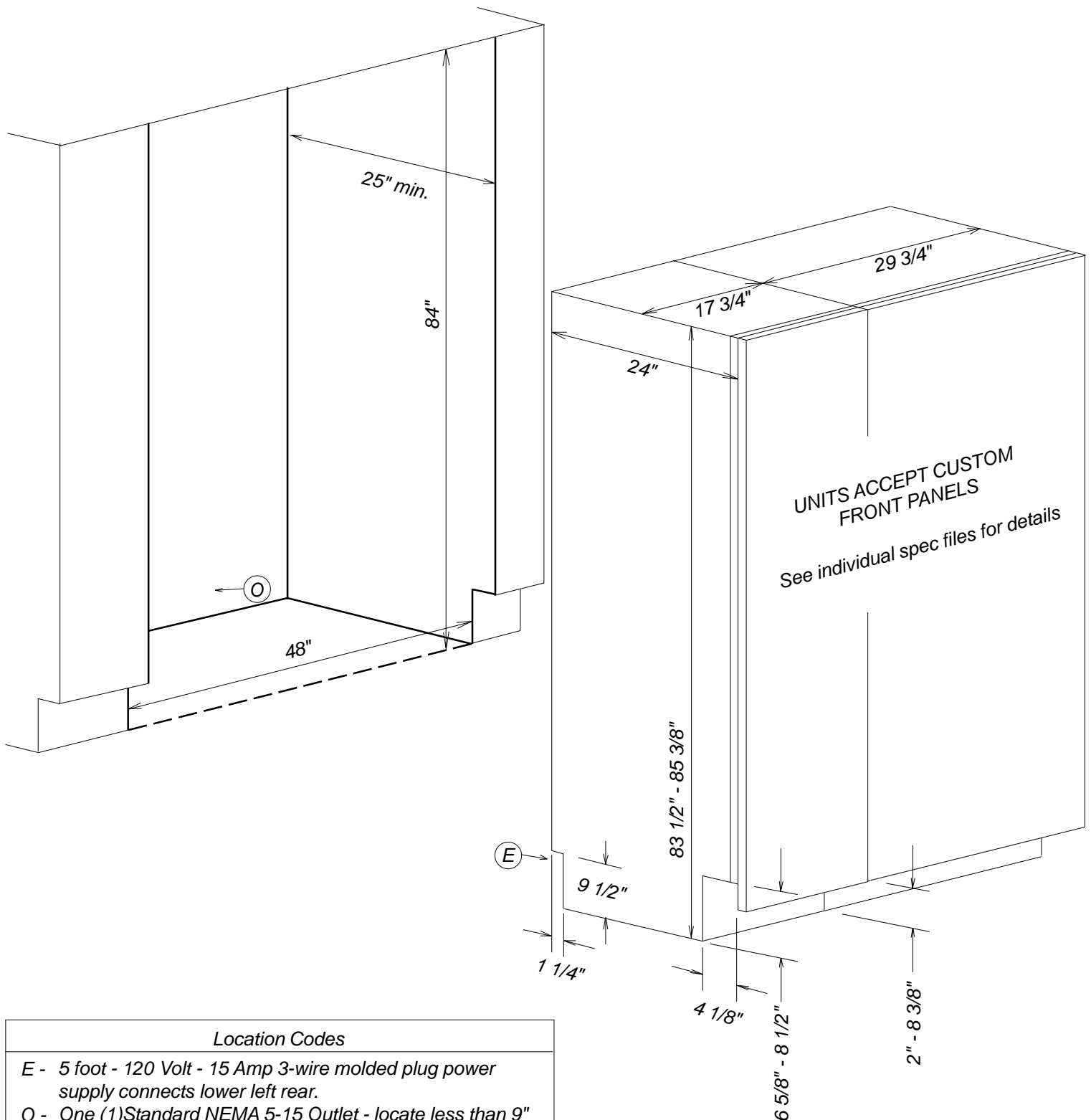


Product and Cut-out Dimensions 48" Side by Side Combination F1411Vi & K1801Vi



Location Codes
E - 5 foot - 120 Volt - 15 Amp 3-wire molded plug power supply connects lower left rear.
O - One (1) Standard NEMA 5-15 Outlet - locate less than 9" above finished floor
Notes
<ul style="list-style-type: none"> • KSK1002 Merging kit must be used when combining units • All Installations must be done in accordance with local codes

NOTE: Drawing is not to scale.
SPECIFICATION SHEETS 010707