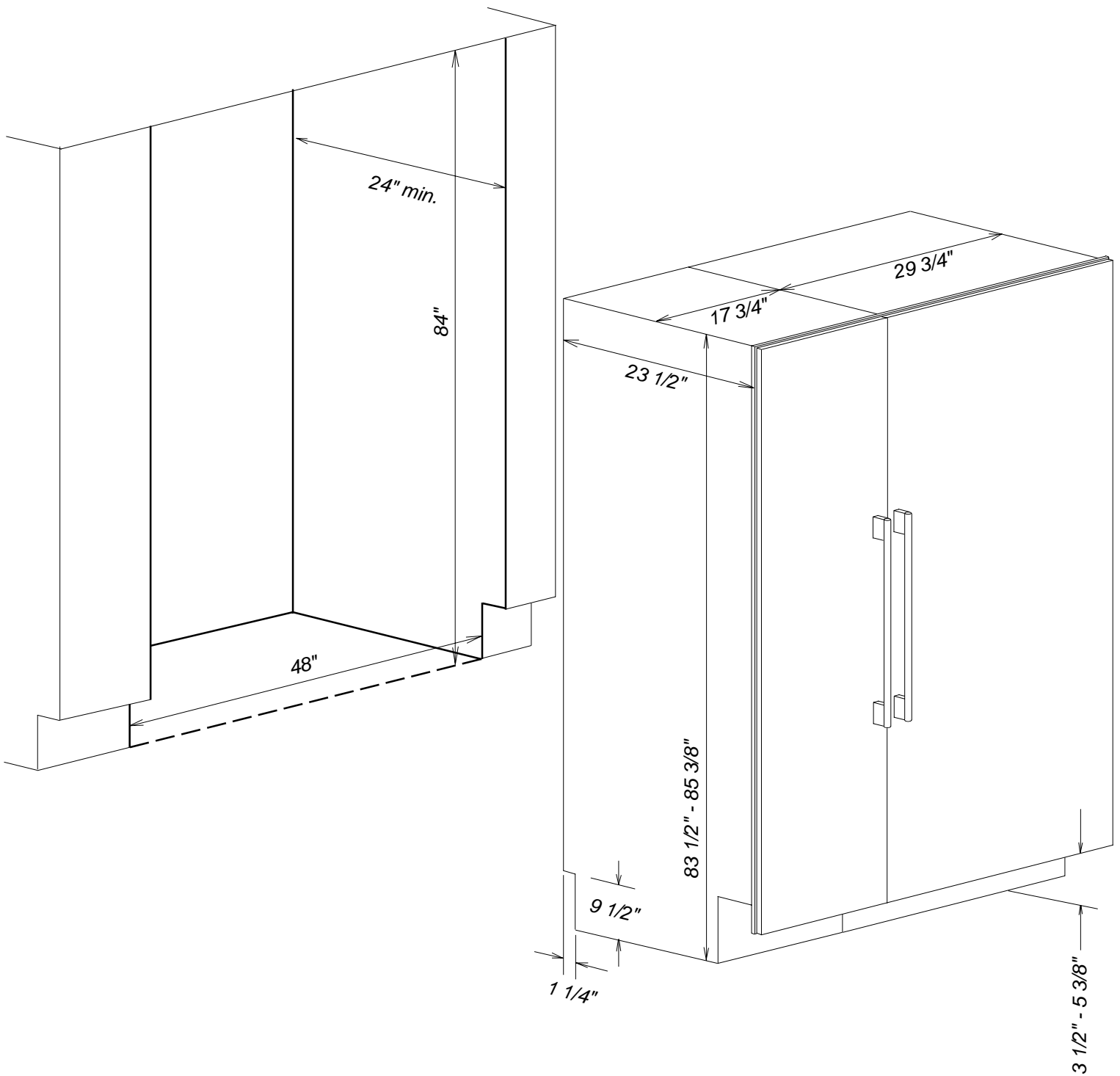


Product and Cut-out Dimensions 48" Side by Side Combination F1411SF & K1801SF

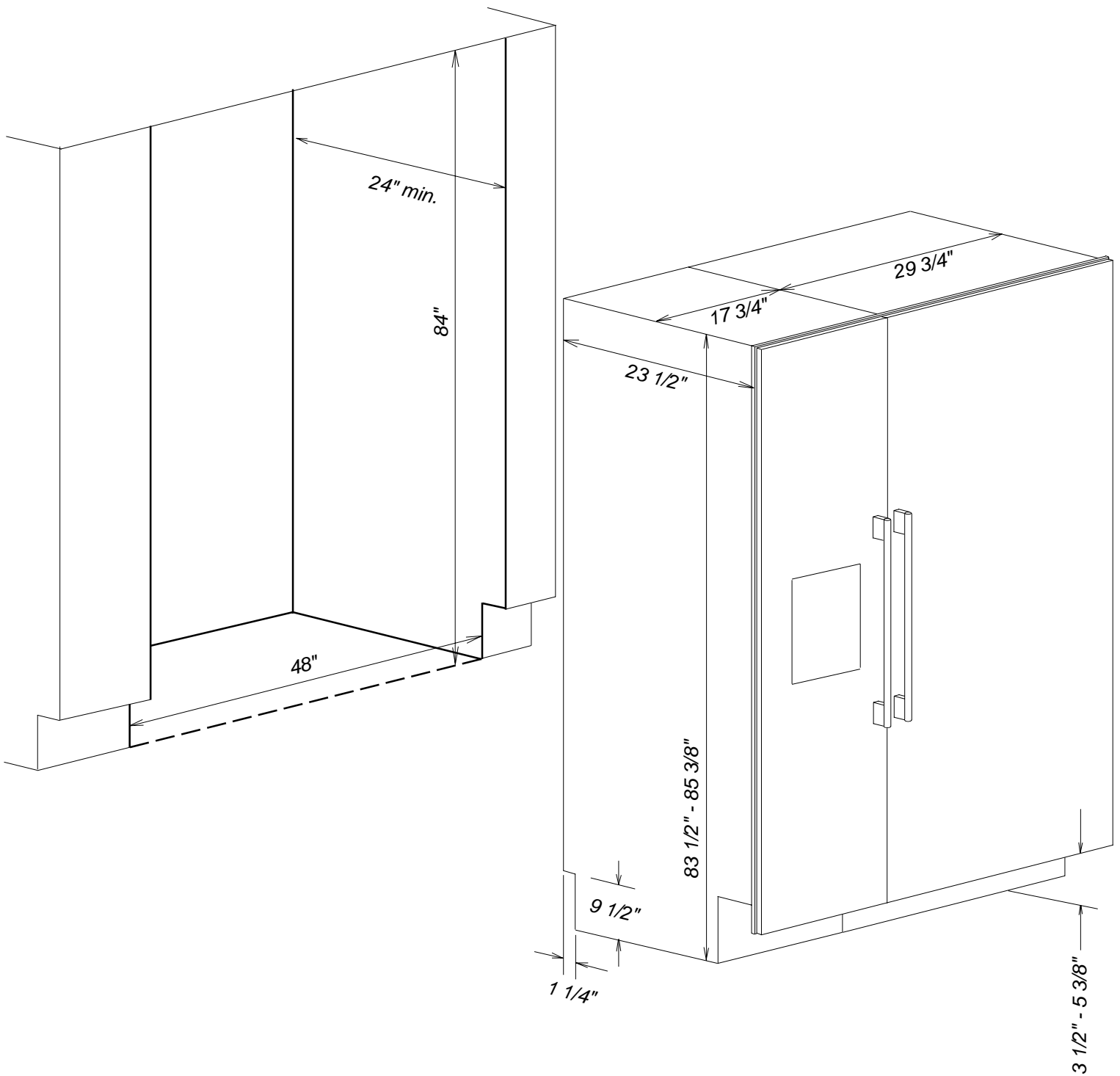


Notes

- See individual unit specs for location information
- KTF1048 Upper frame is required when combining to 48"
- KSK1002 Merging kit must be used when combining units
- All Installations must be done in accordance with local codes

NOTE: Drawing is not to scale.
SPECIFICATION SHEETS 011208

Product and Cut-out Dimensions 48" Side by Side Combination F1471SF & K1801SF



Notes

- See individual unit specs for location information
- KTF1048 Upper frame is required when combining to 48"
- KSK1002 Merging kit must be used when combining units
- All Installations must be done in accordance with local codes

NOTE: Drawing is not to scale.
SPECIFICATION SHEETS 011208