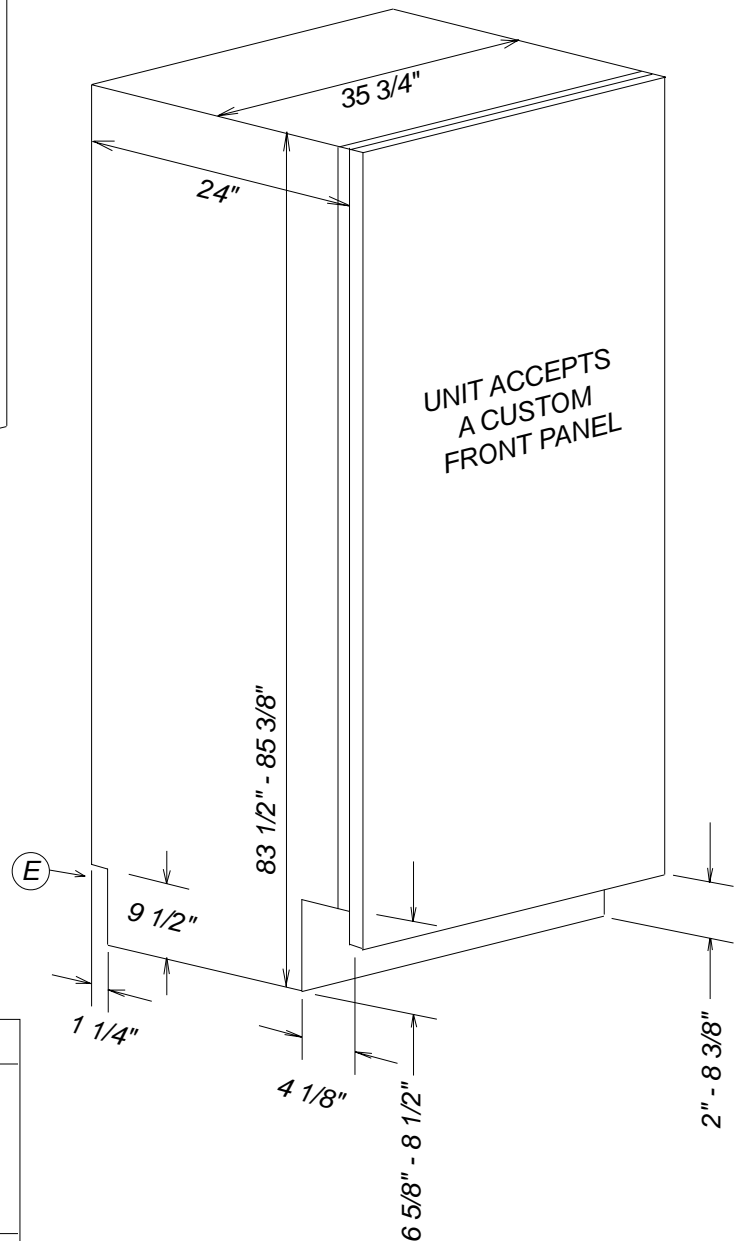
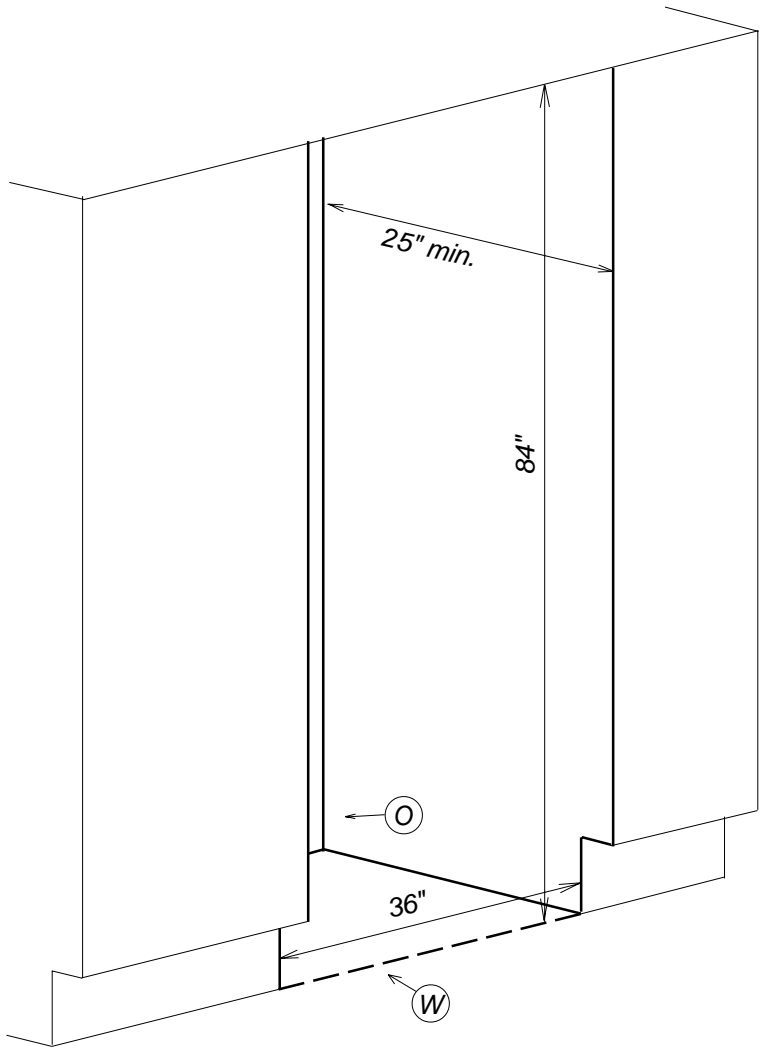


# Product and Cut-out Dimensions F1911Vi / F1901Vi



Location Codes
<i>E - 5 foot - 120 Volt - 15 Amp 3-wire molded plug power supply connects lower left rear.</i>
<i>O - Standard NEMA 5-15 Outlet - locate less than 9" above finished floor</i>
<i>W - 1/4" flexible water line - tape to floor</i>
Notes
<ul style="list-style-type: none"> <li>• All Installations must be done in accordance with local codes</li> <li>• Sides of adjoining cabinets should be filled (flush to frame) to insure proper fit and finish</li> </ul>

NOTE: Drawing is not to scale.  
SPECIFICATION SHEETS 150209

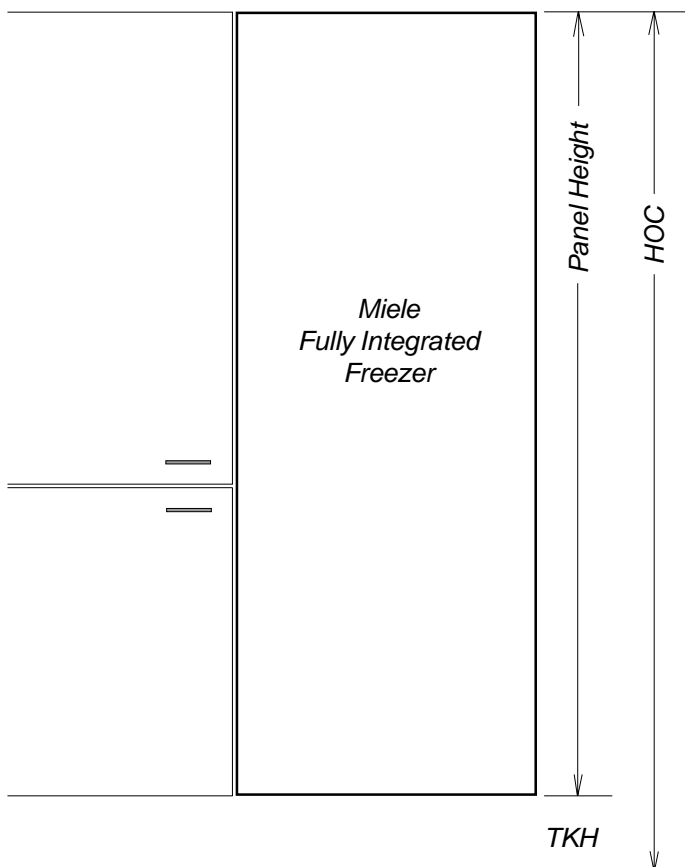
# Front Panel Information Fully Integrated Model



## Custom Panel Installations

**These units do not come equipped with a front panel.** They are designed to accept a custom door panel supplied by the cabinet maker. Miele has a unique panel integration system which allows the panels to align with the surrounding cabinets.

Panel size is determined in the following manner:



**Width:** 35 3/4" in all cases

**Thickness:** Minimum 3/4" outside frame

**Height:** Determined using the following calculation:

$$\text{Panel Height} = \text{HOC} - \text{TKH}$$

**HOC** = Total height of cabinet or side panel

**TKH** = Toe-kick height

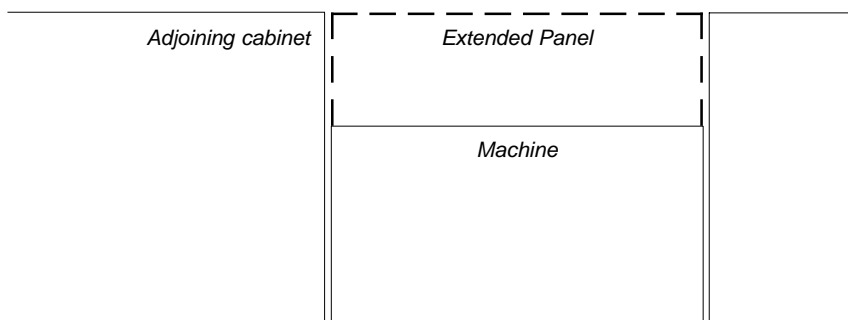
**Note:** Finish back side of panels to insure appearance  
Panel may extend above unit. This is **not** considered in height calculation

**Maximum hinge capacity:** 200 Pounds

**Maximum panel weight:** 67 Pounds

## Panel Notes

If the adjoining cabinets are taller than the height of machine (HOM) - the front panel may be extended accordingly. Simply maintain the toekick height and extend the panel the needed distance.



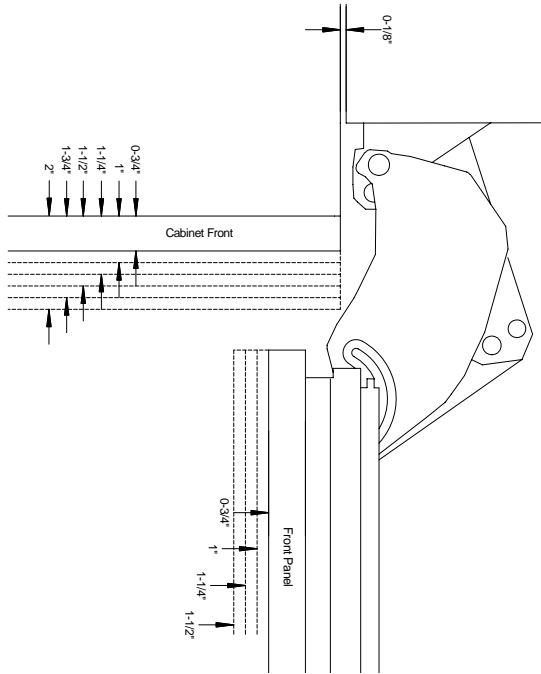
# Front Panel Information

## Hinging Details

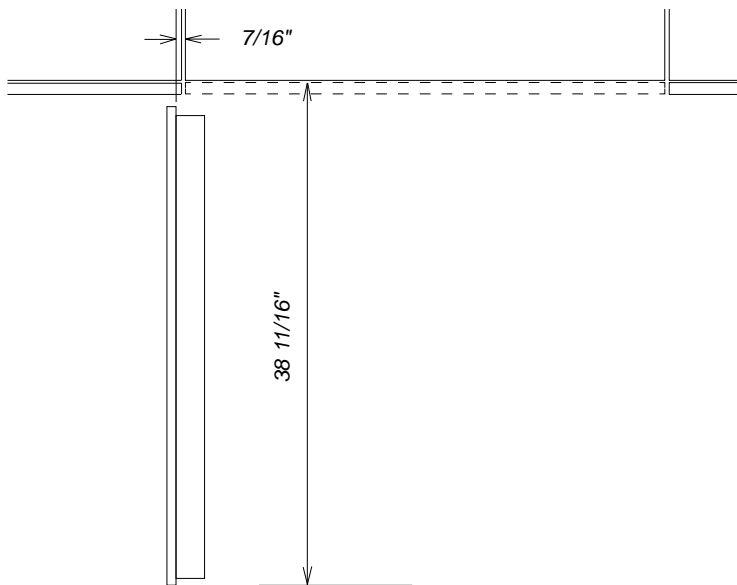


### 90° Door

Thickness options



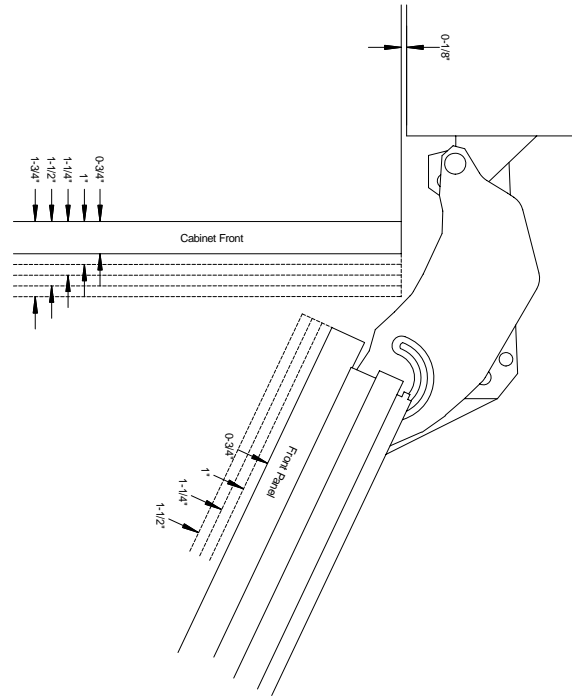
Door Swing



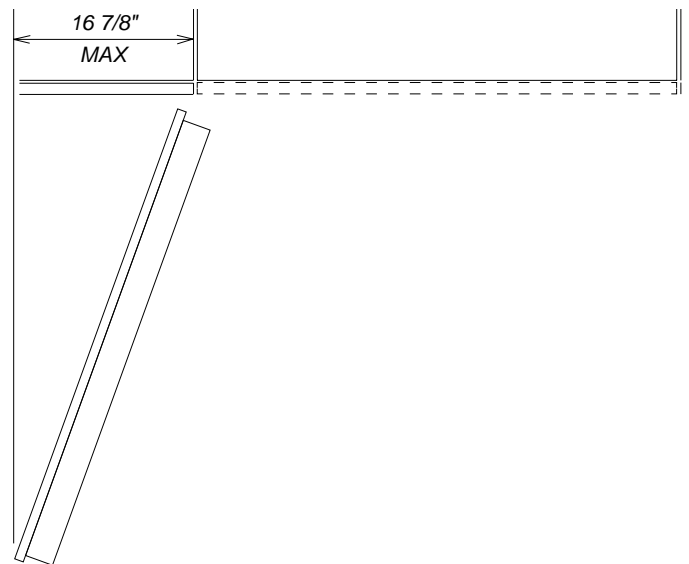
**NOTE:** Additional space needed depending on the thickness of front panels and handle used.  
Freezer units cannot be stop pinned at 90°

### 115° Door

Thickness options



Door Swing



**NOTE:** Additional space needed depending on the thickness of front panels and handle used.  
Freezer units cannot be stop pinned at 90°