

# Poliform

## *Day complements*

Not only chairs: the Poliform complements collection is a global project, which is able to adapt to any lifestyle. Poliform offers original products that can be both welcoming and relaxing, whatever style you are looking for.

## *Nex*

### **design Mario Mazzer, 2003**

Chairs collection designed by Mario Mazzer with frame in chromed metal, seat and back in moulded plastic material, upholstered in fabric or leather. Frame available in two different aesthetic solutions and in stool version.

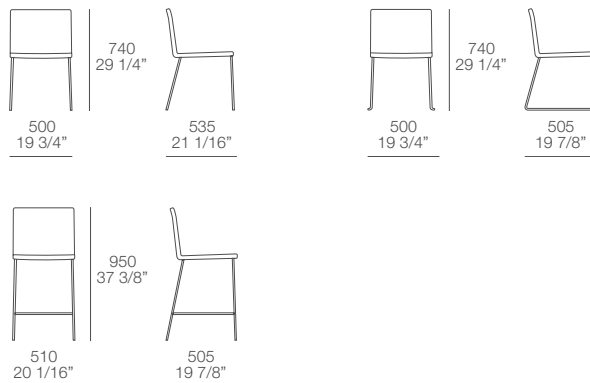


### **Technical characteristics and finishes:**

Structure finishing: chromed metal tubular, chromed metal round bar or inox steel.

Seat and back in wood finishing wenge and walnut c.; plastic material in the colours white 01, canapé 35 and grafite 04. Available also covered with not removable fabric, eco-leather and leather.

### **Dimensions:**



Poliform spa

via Montesanto 28 casella postale n. 1 22044 Inverigo (co) Italy tel +39/0316951 fax +39/031699444

www.poliform.it info.poliform@poliform.it