



# Trillium

## Features & benefits

### Standard

### Optional

#### Lamp

9.0 system watt LED, 3000K LED provides **high light output**

6 Dimmable module - 100% to 15% dimming range.

3.00" wide x 1.25" tall x 1.4" deep, ABS Plastic, Platinum finish  
12' un-stretched coiled cord

Slide control to dim-slide right for 100% or left for 15% light level  
Dimmer plugs into the Trillium LED power supply, steel spring clip surface mounting bracket

#### Cord 1

7' black cord with disconnect cord to power supply

~

#### Power supply 2

700 MA constant current class II or LPS rated - certified

~

#### Cord color

Black

~

#### Switch 3

Black rocker switch located on underside of durable aluminum "cool touch" head

~

#### Lens

Parabolic lens w/optic diffuser

~

#### Arm 4

Double-articulating arm

~

#### Finish

Black

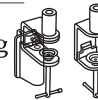
~

#### Mounting 5

**Freestanding** weighted base is supplied as the standard unless another base is specified



**Clamp-mount** allows the Trillium to be mounted to most freestanding or hanging worksurfaces



**Panel-mount** allows the Trillium to be mounted to various office furniture system panels



**Surface-mount** allows the Trillium to permanently attach to a worksurface

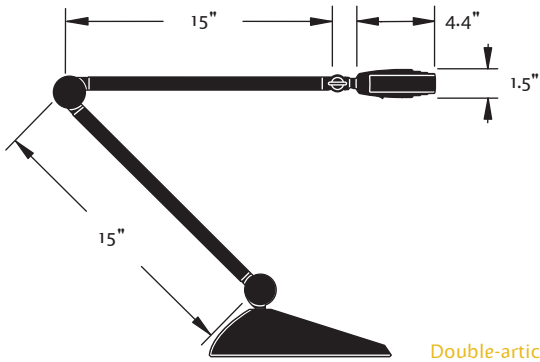


~

#### Certification

UL/CUL  
FCC approved components  
Made in USA

# Trillium



Double-articulating arm (TLED)



Independent dimmer

Trillium's compact, rounded, aluminum-cast head features 3 cool-running 6.5 watt solid state LEDs. LEDs are highly efficient (they produce low heat) rugged (no filament damage from shock or vibration), and long-lasting (up to 50,000 service hours approximately 20 years). Equipped with a secondary optic, Trillium provides well-defined light patterns in a compact, cost effective fixture.

Trillium features a double-articulating arm with choice of freestanding base, clamp, panel or surface mount bracketry.

### Base models

base number	watts
T LED	9 system 6.5 fixture 2.17 per LED

### Performance test installation data

base number	TLED
LED	
power supply	700 MA constant current, class II or LPS
power factor	NPF
lens	parabolic lens
measured plane	36" length x 24" width
face of light to work surface	15"

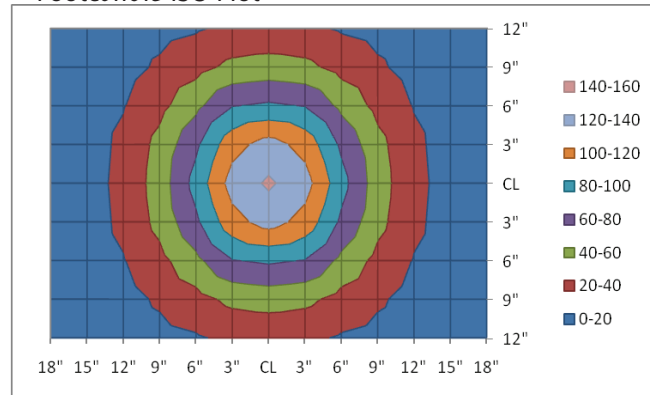
### Photometric Information

#### Footcandles

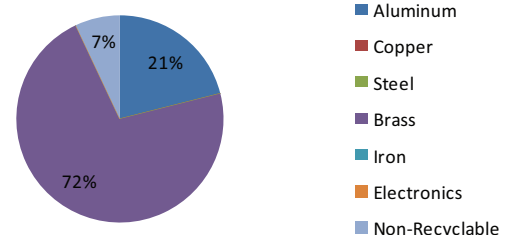
Table 1: Trillium Office Light Output

	18"	15"	12"	9"	6"	3"	CL	3"	6"	9"	12"	15"	18"
12"		6	9	14	18	24	25	24	18	14	9	6	
9"		8	13	23	33	45	48	45	33	23	13	8	
6"		11	19	34	55	79	83	79	55	34	19	11	
3"		12	24	46	76	113	128	113	76	46	24	12	
CL		13	25	49	87	128	143	128	87	49	25	13	
3"		12	24	46	76	113	128	113	76	46	24	12	
6"		11	19	34	55	79	83	79	55	34	19	11	
9"		8	13	23	33	45	48	45	33	23	13	8	
12"		6	9	14	18	24	25	24	18	14	9	6	

#### Footcandle ISO Plot



### Trillium Recyclability



Light  
enlightening  
the workspace.

Light Corporation  
14800 172nd Ave.  
Grand Haven, MI  
49417-8969  
616.842.5100 phone  
800.544.4899 free  
616.846.2144 fax  
www.lightcorp.com