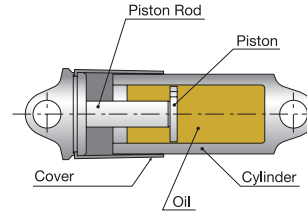


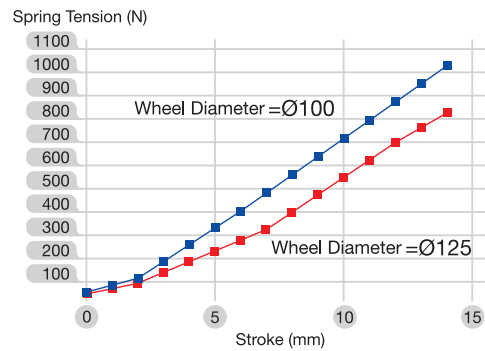
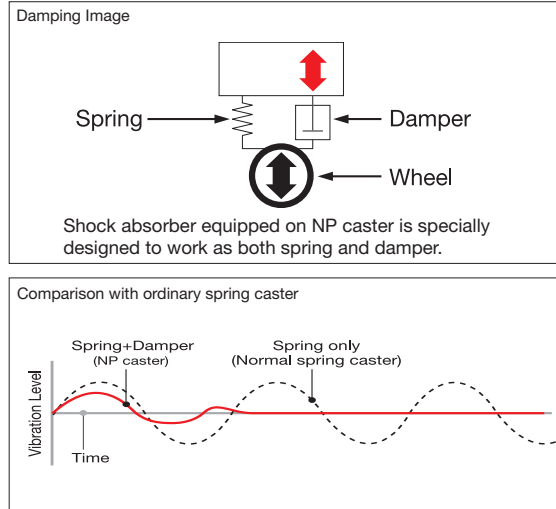
## SHOCK-ABSORBING CASTER

Shock absorber reduces initial shock and also settles vibration quickly. With less shock and vibration, it reduces particles which causes air contamination up to 85%, compared to non-damping casters.

### Shock Absorbing Damper



### Shock Absorbing Performance

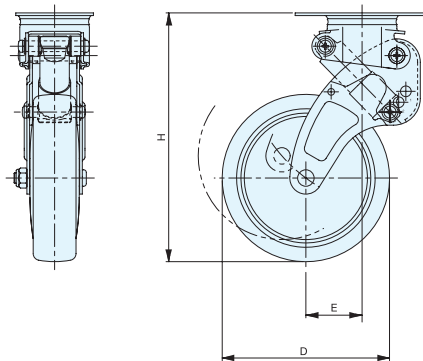
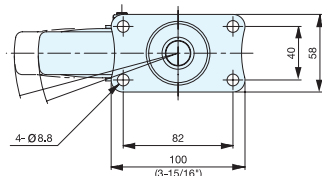


## SHOCK-ABSORBING CASTER (PLATE TYPE)

LOAD CAPACITY  
30 kg  
66 lbs

STAINLESS  
304  
STEEL

NPG



"Without Brake" type shown.

- Swivel type
- Built-in shock absorber provides less vibration and noise.
- Ideal for carts which carry delicate product such as electronic instruments.
- Stainless steel construction with antistatic polyurethane wheel, ideal for clean room application.
- Insulation resistance value:  $4.8 \times 10^8 \Omega$ .
- Operating temperature:  $10^\circ\text{C} \sim 30^\circ\text{C}$  ( $50^\circ\text{F} \sim 86^\circ\text{F}$ )
- Available option (special order): Steel body, wheel in Nylon or Polyurethane.

Part Name	Material	Finish/Color
Body	304 Stainless Steel	Plain
Wheel	Antistatic Polyurethane	Yellow

Item No.	Brake	D	Wheel Width	H	E	Load Capacity (kg)	Weight (g)	Box (pcs)	Carton (pcs)
NPG-100SUES3	With	100	28	165~151	35~51	30 (66 lbs)	934	20	200
NPG-100SUE3	Without	100	28	165~151	35~51	30 (66 lbs)	823	25	250
NPG-125SUES3	With	125	32	186~170	42~59	30 (66 lbs)	1063	15	150
NPG-125SUE3	Without	125	32	186~170	42~59	30 (66 lbs)	947	20	200