



**Low Consumption Water Closet
Bowl With Bidpan Lugs**
Vitreous China

FEATURES

- **Bowl:** 3H704 Whirlton™ (1.6 gpf / 6.0 lpf), vitreous china, siphon jet, elongated rim bowl with integral bidpan lugs, 1 1/2" top spud bowl, bolt caps.

Valve:* Flushvalve with vacuum breaker, 1" angle screwdriver stop and flush connection. Suggested (1.6 gpf / 6.0 lpf) flushvalves are:

| | |
|-------------------|--------------|
| Sloan "Royal" | #111 |
| Delany "Flushboy" | #F402-1.6 |
| Zurn "Aquaflush" | #Z-6000-WS-1 |

Bedpan Cleanser:

Supply:

Seat:

Color:

NOTES

- Fixture conforms to ANSI/ASME A112.19.2M standard.
- ** For efficient operation of the bowl, a minimum flowing water pressure of 25 P.S.I. is required at the valve.

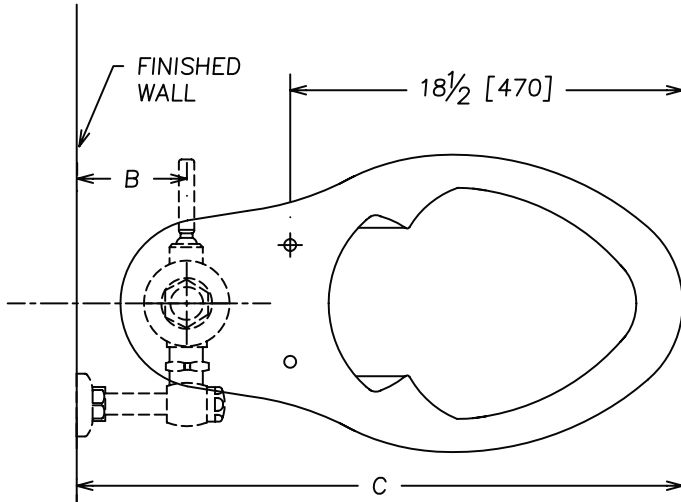
WATER ECONOMY FACTS

| Average Gallons Per Flush | **25 PSI | 50 PSI | 80 PSI |
|---------------------------|-----------|--------|--------|
| 3H704 Elongated Rim | 1.54 | 1.53 | 1.58 |
| Trapway..... | 2" | | |
| Water Surface..... | 12" x 10" | | |
| Water Seal..... | 3" | | |

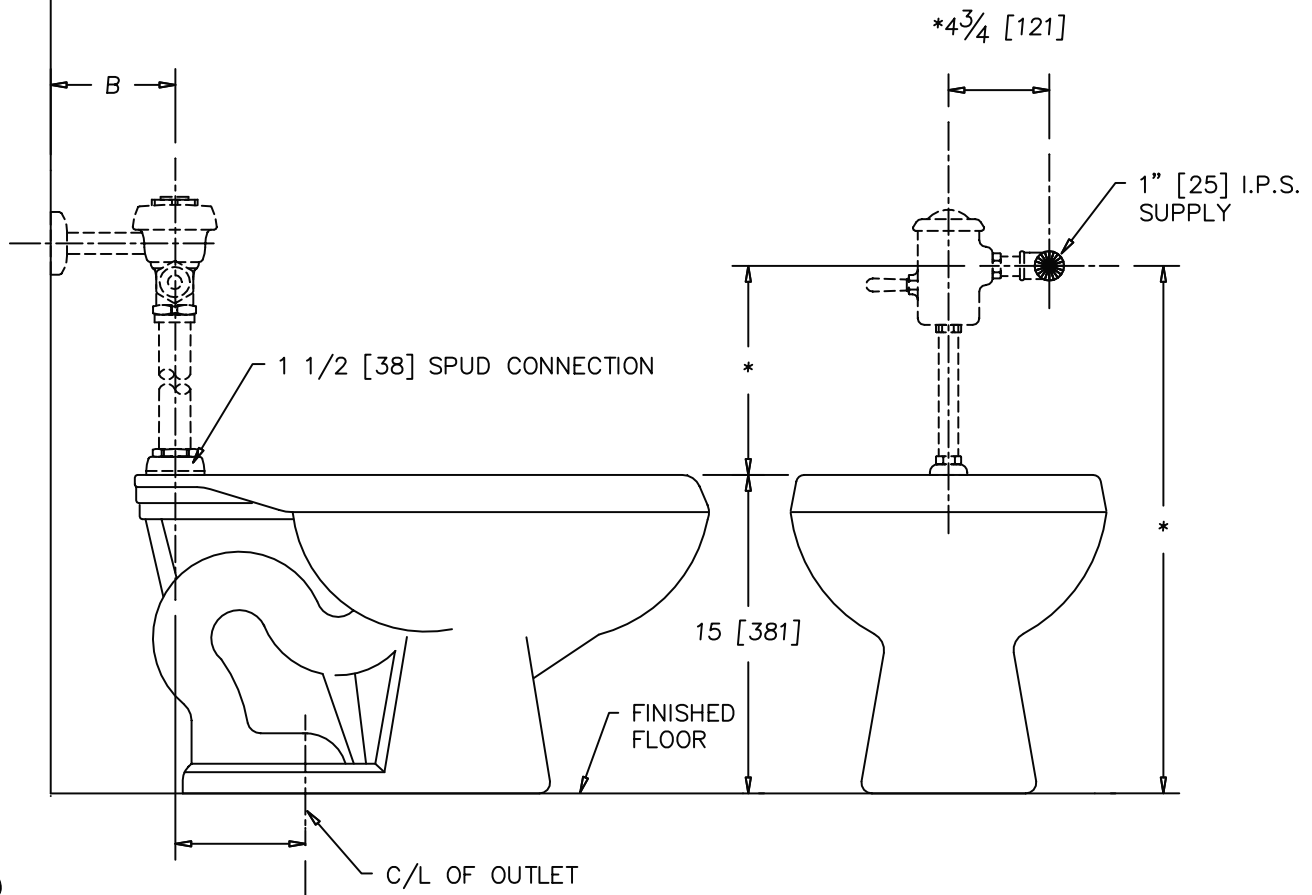


* Not furnished by CR/PL, L.L.C. Description for specification purposes only.

12" Rough-In Low Consumption Bowl With Bedpan Lugs



| ROUGH-IN | A | B | C |
|-----------|---------------|--------------|---------------|
| 10" [25] | 10" [25] MIN. | 3 7/8" [98] | 27 1/2" [699] |
| 12" [305] | 12" [305] | 5 7/8" [149] | 29 1/2" [749] |



NOTES: ** VARIABLE - CHECK WITH MANUFACTURER OF FLUSHVALVE FOR PROPER ROUGHING-IN DIMENSION.