



Titan™ PRO

32052

Round Front, Triangle Tank
Two-Piece Toilet



- Round Front Rim
- Top Rated Performance 1.6 gpf / 6.0 lpf
- 15" Rim Height
- Features the ProOne™ Flushing System
- High Volume 3" [76mm] Flush Valve with Chlorine-Resistant Flapper
- Extended Footprint for Easier Remodeling
- Brass Tank to Bowl Bolts
- Triangular Tank Perfect for Corner Installation
- 2-1/8" [54 mm] Fully Glazed Trapway
- Side Mount, Left Hand, Color-Matched, Trip Lever
- Concealed Sanitary Bar for Easy Cleaning
- Available in White, Bone, and Biscuit
- Limited Lifetime Warranty



Toilet Seat Shown Not Included

32052	Round front, two-piece toilet combination with 3" [76mm] flush valve. 12" [305 mm] rough-in. Includes side mount, left hand, color-matched, trip lever. Less toilet seat and supply.
32004	Round front toilet bowl only. 12" [305 mm] rough-in. Less toilet seat.
32026	Triangle Tank and lid only with tank trim including 3" [76 mm] flush valve and side mount, left hand, color-matched, trip lever. Less supply.



32006	12" Rough-In Tank
32046	12" Rough-In Insulated Tank

P33001100	Side Mount, Left hand, Trip Lever - White (Standard with White tanks)
P33001208	Side Mount, Left hand, Trip Lever - Bone (Standard with Bone tanks)
P33001251	Side Mount, Left hand, Trip Lever - Biscuit (Standard with Biscuit tanks)
P33001068	Side Mount, Left hand, Trip Lever - Polished Chrome
8085	Round front, "Lift 'n' Clean", heavy-duty plastic, toilet seat



Specifications

Water Pressure Range: 20 to 80 P.S.I.

Flush System: ProOne™ Flushing System

Water Usage: 1.6 gpf /6.0 lpf

Water Surface Area: 8-1/2" x 11"
[216 mm x 279 mm]

Trap Diameter: 2-1/8" [54 mm]

Water Seal: 2-1/2" [64 mm]

Shipping Cubes:

32004 Bowl: 4 ft³ [.11m³]

32026 Tank: 1.95 ft³ [.05m³]

Shipping Weight:

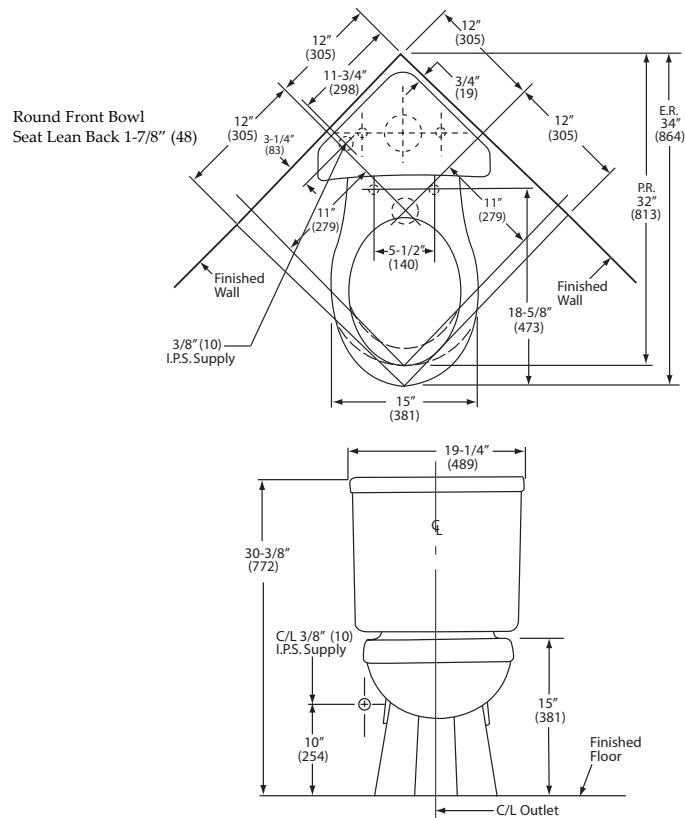
32004 Bowl: 54 lbs. [24.5 kg]

32026 Tank: 37 lbs. [17 kg]

Warranty:

Vitreous China - Limited Lifetime

Parts - Limited One Year



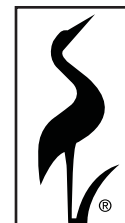
IMPORTANT: These dimensions are nominal and may vary within the range of tolerances established by ASME Standard A112.19.2

Features and Upgrades

- Triangle Tank for Space-Saving Corner Installation
- Extended Footprint easily covers existing floor gaps
- Stabilizer bars for rigid tank to bowl support
- cUPC registered

Customer Care at American Standard
P.O. Box 6820
1 Centennial Plaza
Piscataway, NJ 08855-6820
1-800-442-1902
Monday - Friday 8:00 A.M. to 6:00 P.M. EST

American Standard Canada
2480 Stanfield Road
Mississauga, Ontario
L4Y 1S2
Toll Free: 1 (800) 387-0369
Greater Toronto Area & Mississauga:
(905) 306-1093
Hours: 9am - 5pm, Monday - Friday (EST)



**CRANE
PLUMBING**
The Clear Choice