

ADAF SHOWER FLOOR

ADAF3636
ADAF6030
ADAF6036

Shower Floor
High Gloss Gelcoat Finish



FEATURES

- **ADAF 3636**

39" x 38 1/2" outside (nominal). One piece construction shower module.

This unit is made of sanitary grade polyester high gloss gelcoat with reinforced composite matrix. This unit shall have a fire rating of "B" and a flame spread of less than 75.

- **ADAF 6030**

Same as above except 64" x 33"

- **ADAF 6036**

Same as above except 64" x 33"

NOTES

- *Anti-skid floor treatment meets performance requirements of ASTM F-462-78.*
- *Units conform to ANSI A-117.1 and ANSI Z-124.2; the shower also complies with the guidelines issued by ADA, US Architectural and Transportation Barriers Compliance Board (A & T.B.C.B.) and with most city, state, and national standards for barrier free, accessible shower facilities for the handicapped.*
- *Factory installed components are provided with additional back reinforcements to provide code complying structural integrity and are sealed from the backside.*

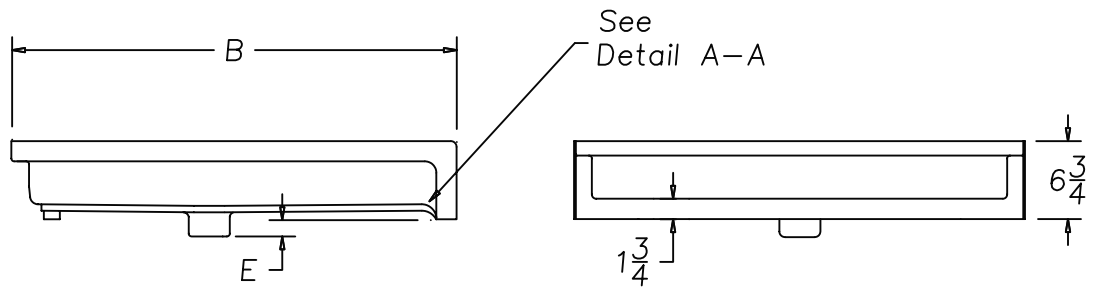
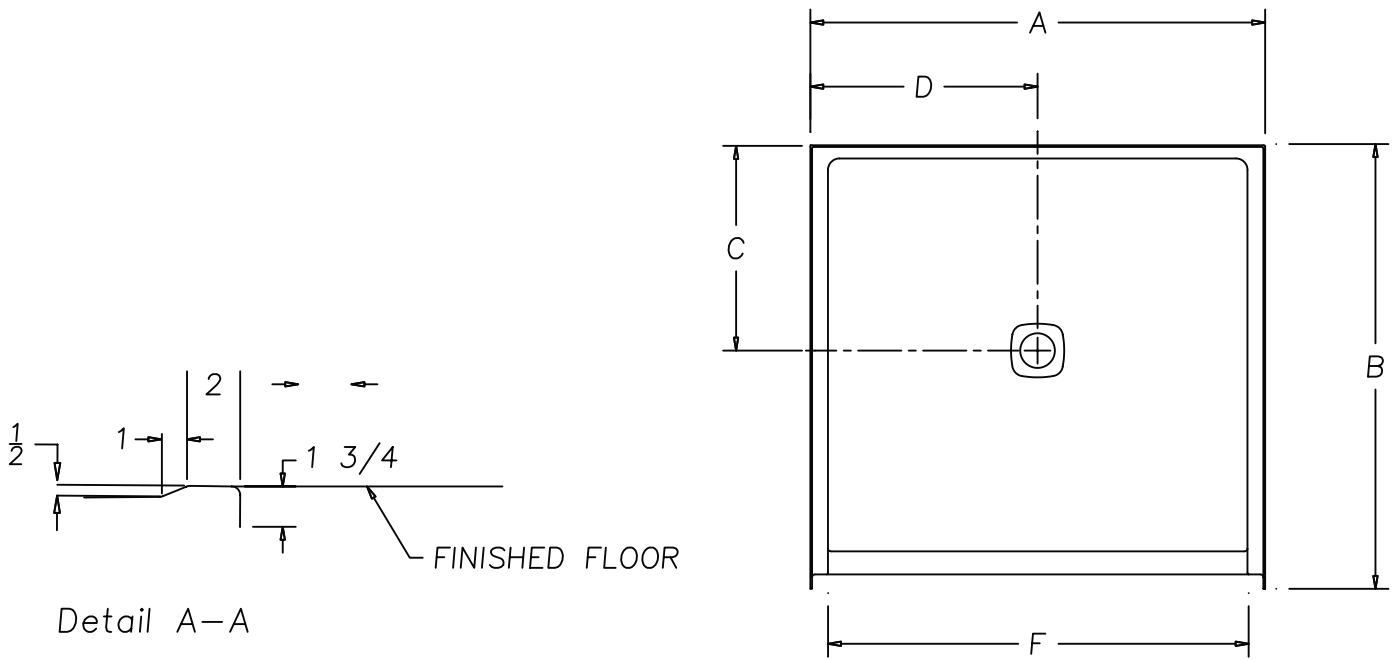
OPTIONS

- *2" plastic drain with chrome plated strainer. (PD2)*
- *2" cast brass drain with chrome plated strainer (H30)*
- *Lucite acrylic sheet containing Microban antibacterial protection. Available in white and bone only. (MBP)*

 **FIAT PRODUCTS**
ACRANE PLUMBING COMPANY

ACRYLIC RECEPTORS

Shower Receptor



MODEL	A	B	C	D	E	F
ADAF-3636	39"	$38 \frac{1}{2}$ "	$17 \frac{3}{4}$ "	$19 \frac{1}{2}$ "	$1 \frac{1}{2}$ "	36"
ADAF-6030	64"	33"	$17 \frac{3}{4}$ "	32"	$1 \frac{1}{2}$ "	$60 \frac{3}{4}$ "
ADAF-6036	$63 \frac{1}{2}$ "	$38 \frac{1}{2}$ "	19"	$31 \frac{3}{4}$ "	$1 \frac{1}{2}$ "	$60 \frac{1}{4}$ "