



Sectional Bathing Suite Modular Showers Cast Acrylic

FEATURES

- **A 3633.02**

- 38" x 33" x 84" (nominal)
- Molded soapdish

The shower models have an integrally molded recessed soapdish in the center of the back wall. The shower models are pre-drilled to accept a 2" drain supplied by others. The modular showers are cut into three sections, allowing each section to fit through a 26" doorway to accommodate the special requirements associated with bathroom remodeling. When the unit is reassembled it is further held together with the exclusive "Rigi-Loc" system.

The units are thermoformed from a solid color acrylic sheet. These units are reinforced on the back with a composite matrix which has a backside fire rating of "A" and a flame spread of 25.

NOTES

- Dimensions: A 3633.02 38" x 33" x 86" with flange
Shipping Weight: 135 lbs.
Certifications: ANSI Z124.2 and CSA B45
- Illustrated installation instructions included.

OPTIONS

- Canopy light (factory drilled for field installation) 60 watt dome mounted shower light. White lens only. (ATP1)
- Tempered hinged door in clear, patterned, or obscure glass design in anodized chrome or polished brass finish. (903R series)
- 2" plastic drain with chrome plated strainer. (PD2)
- 2" cast brass drain with chrome plated strainer. (H30)
- Lucite® acrylic sheet containing Microban® antimicrobial product protection. Available in white and bone only. (MBP)

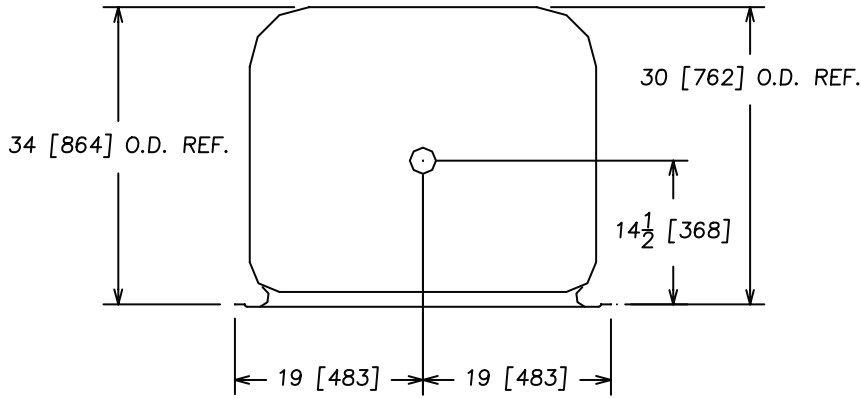
Lucite is a registered trademark of INEOS Acrylics, Inc. Microban is a registered trademark of Microban Products Company, Huntersville, NC.



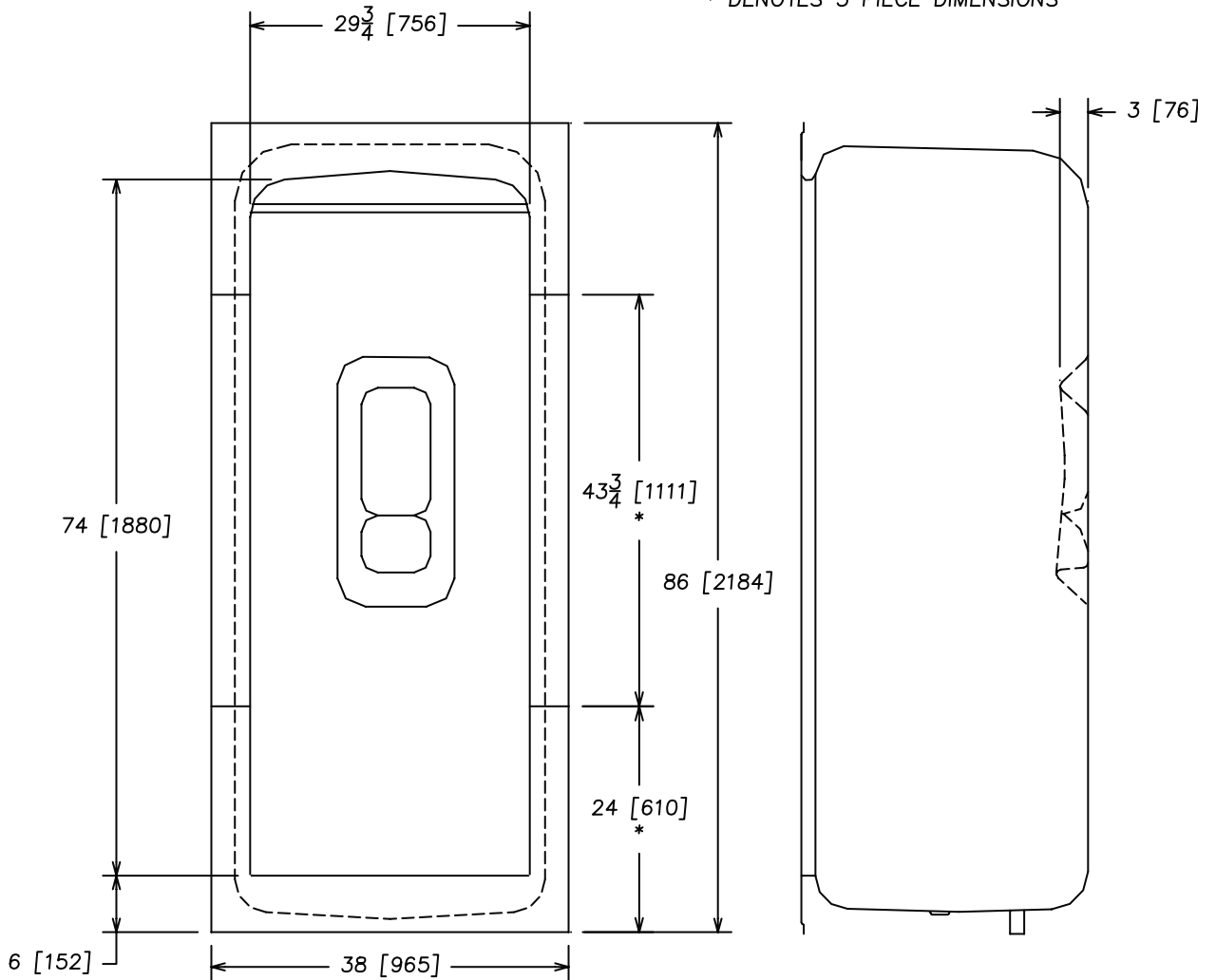
S ECTIONAL BATHING SUITE

A 3633.02

Sectional Bathing Suite Modular Showers



* DENOTES 3 PIECE DIMENSIONS



IMPORTANT: Roughing-in dimensions may vary $\frac{1}{2}$ " and are subject to change or cancellation without prior notice.
No responsibility is assumed for use of superseded or voided leaflets.