

INSTALLATION INSTRUCTIONS FOR 3217 REXMONT WALL HUNG TOILET



Thank you for selecting the Crane Plumbing low consumption toilet. To insure this product is installed properly, please read these instructions carefully before you begin. Be sure your installation conforms to local codes.



This unit meets the American Disabilities Act Guidelines and ANSI A117.1 Requirements for the Physically Challenged. When installed, top of seat will be 18-1/2" (470 mm) from the finished floor

Before Beginning: The toilet is in two cartons. One contains the bowl, and the other has the tank, cover and assorted parts.

Closet Carrier Support: The appropriate wall carrier must be obtained for this unit. Refer to the instructions supplied with the carrier

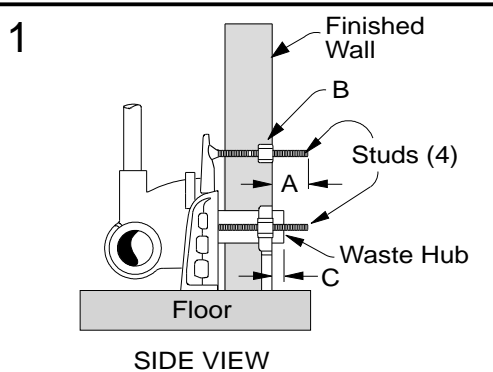
for proper installation of a 4-bolt support system, wall cavity requirement, and rough-in information for waste outlet piping.

A Word of Caution: The new toilet is made of fine china like the best quality tableware.

It is ruggedly constructed: however extra care should be exercised during installation when rough handling and the danger of dropped tools threaten to chip or crack it.

Water Supply: If your cold water line is through the wall, install an Angle Stop. If it is through the floor, install a Straight Stop.

Installing the Toilet Bowl and Tank



3217 is a wall hung toilet combination. The use of a Closet Carrier Support is required. The fixture stud should extend 2-1/8" from the finished wall (A). Bearing washers and nuts must be flush with the wall (B). The waste inlet hub should extend 5/16" from the finished wall (C). Use a felt or neoprene gasket (not a wax ring) on closet outlet.

Refer to instructions provided with the Closet Carrier System for specific installation requirements.

Lift the bowl and move it toward the wall. Slip mounting studs through the corresponding holes in the bowl. Make sure the gasket is in place.

Install bowl on support using cap nuts and fiber washers with the back-up nuts and washers.

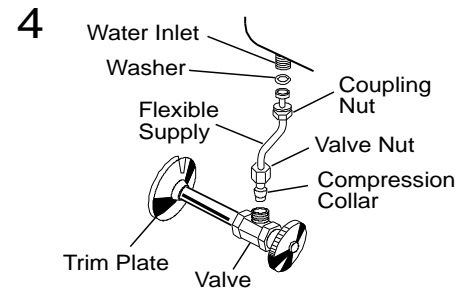
DO NOT APPLY TOP RIGHT FIBER WASHER AND CAP UNTIL OTHER CAP NUTS HAVE BEEN FIRMLY TIGHTENED USING A WRENCH.

DO NOT OVERTIGHTEN NUTS, AS VITREOUS CHINA EASILY CHIPS AND CRACKS.

Install top right cap nut with fiber washer and run up hand tight. Wrench tighten 1/4 turn.

Apply sealant to gap between bowl and finished wall. Wipe away excess sealant. Pour water into the bowl to prevent the escape of sewer gas.

With tank parallel to wall, alternately finger tighten nuts and give them another half turn with pliers. **CAUTION: Do Not Overtighten to avoid cracking china.**

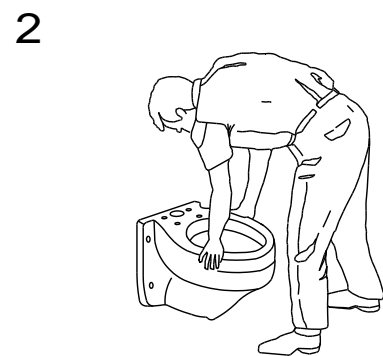


Connect the cold water line to the tank with your straight or angle stop. Place the washer, then the plastic nut on the tank end of the connecting pipe and bend the pipe to fit into the inlet hole on the water shutoff valve.

Tighten all coupling nuts securely.

Turn on supply valve and allow tank to fill.

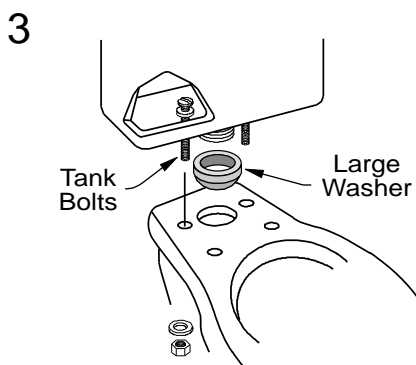
Check for leaks - Tighten or correct as required.



Follow support manufacturer's recommended setting of closet outlet connection.

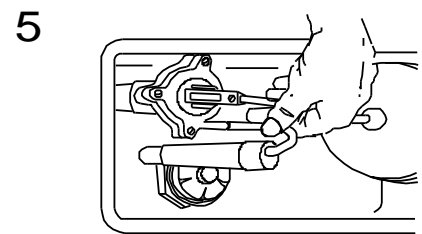
NOTE: Bearing nuts and washers must be set to take full loading from the fixture allowing 1/16" clearance between fixture and wall.

Place the felt or neoprene gasket on the bowl outlet. (wax ring is not recommended) When the bowl is installed, The gasket must be compressed sufficiently against the hub to effect a gas and watertight seal.



The tank should be inverted on the floor after removing the lid and parts bag. Open the plastic envelope and place the large doughnut shaped washer snugly on the threaded tank outlet. Invert the tank and lower onto bowl so that the large washer fits evenly into the bowl water inlet opening.

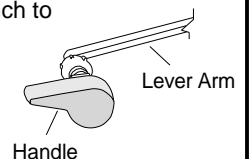
Place the rubber washer on the bolts and insert the bolts downward through the bolt holes and secure with metal washers and nuts.



Connect the plastic tubing from the top of the water inlet regulator into its holding ring inside the overflow tube.

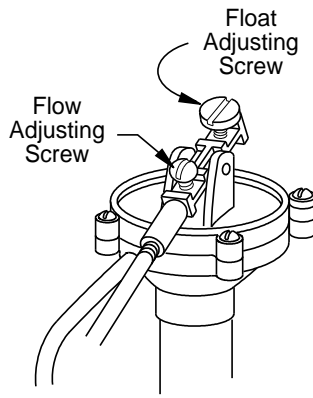
6 Certain models must have the flush lever installed. Insert the lever through the hole in the tank. Thread the plastic nut onto the shank. **NOTE:** Left side levers have left handed threads (tighten counter clockwise), Right levers have right hand threads (tighten clockwise) Use a wrench to achieve a snug fit.

Fit metal hook on chain through the end lever hole.



7 Adjusting Tank Water Level

Turn on the water supply by opening the angle or straight stop. For proper flushing the tank must fill to the Water Line marked on the inside of the tank. The water level is controlled by the float rod and float ball. The ballcock in this toilet features a float ball adjusting screw which will enable you to regulate the position of the float ball and water level at shutoff. If the water is Below the Water Line mark, turn the screw counterclockwise, and if the water level is Above the Water Line mark, turn the screw clockwise. **DO NOT BEND THE FLOAT ROD.** This would constitute improper maintenance and can void the warranty.



8 Adjusting Tank Filling Time

The water tank should fill in about 50 seconds after flushing. If it fills in a shorter time than that, the indication is a higher water pressure (P.S.I.) than is typical. To slow the fill time so it is closer to 50 seconds, turn the brass Flow Adjustment Screw clockwise to reduce the flow (takes longer for the tank to fill) counterclockwise to increase (tank fills faster). After this adjustment, it may be necessary to readjust the water level. If it does, repeat step 7. **DO NOT BEND THE FLOAT ROD.**

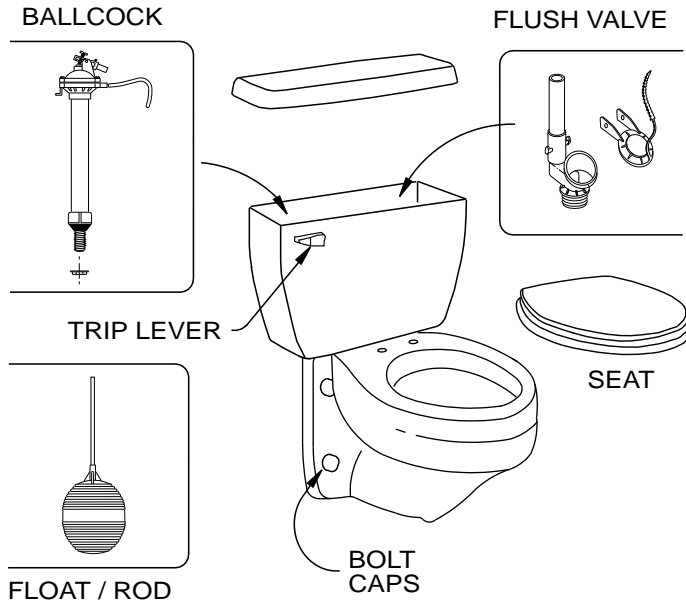
- 9 Place the lid on the tank. Install the plastic bolt covers. Install the toilet seat in accordance with the manufacturer's instructions.

10 Care and Cleaning of Vitreous China

Your new toilet is made of stain, acid and abrasion resistant vitreous china. But, like all fine finishes the china requires reasonable care. For day-to-day cleaning, wash with warm water, a soft cloth, and a mild detergent such as Handy Andy,

Mr Clean or Lestoil. On stubborn stains, use one of the powdered detergents such as Spic & Span, on a damp sponge or scouring pad of nylon, saran, or poly-ethylene. Never use abrasive scouring powders, cleansers, or pads, as they

tend to create microgrooves that dull the finish and allow dirt to work into the surface. Use if tank cleaning products containing calcium hypochlorite (chlorine) or any other reactive chemical shall constitute improper maintenance.



REPLACEMENT PARTS

Please keep this manual for future reference.

Retain product invoice in case warranty service becomes necessary. Record the Model Number of the toilet in this booklet. This will assist when ordering replacement parts, or in seeking technical assistance.

Replacement Parts can be obtained if needed by contacting CR/PL 201 East Fifth Street, Mansfield OH. 44901 (419/522-4211).

MODEL	BOWL	TANK	SEAT	BALLCOCK	FLUSH VALVE	FLOAT BALL	FLOAT ROD	TRIP LEVER	BOLT CAPS
3217	3117	3740	E-30	P030154	P030208	P030102	P030121	P030385	P030540

Limited Five Year Warranty

Subject to the "Exclusions" set forth below, CR/PL promises to the consumer to repair, or at the option of CR/PL, to replace any part of this plumbing product which proves to be defective in workmanship or materials under normal use for five years from the date of purchase. All costs of removal, transportation and reinstallation to obtain warranty service shall be paid by the consumer. During this five year period, CR/PL will provide, subject to the "Exclusions" section set forth below, all parts free of charge, necessary to correct such defects if this plumbing product has been installed and maintained in accordance with written instructions furnished by CR/PL with this plumbing product.

Exclusions: CR/PL PRODUCTS SHALL NOT BE LIABLE FOR INCIDENTAL OR CONSEQUENTIAL DAMAGES, INCLUDING COSTS OF INSTALLATION

OR WATER DAMAGE, OR FOR DAMAGES RESULTING FROM ABUSE OR MISUSE OR FROM FAILURE TO INSTALL OR MAINTAIN THIS PLUMBING PRODUCT IN ACCORDANCE WITH THE WRITTEN INSTRUCTIONS FURNISHED BY CR/PL PRODUCTS. USE OF CLEANING PRODUCTS CONTAINING CALCIUM HYPOCHLORITE (CHLORINE) SHALL CONSTITUTE IMPROPER MAINTENANCE. SOME STATES DO NOT ALLOW THE EXCLUSION OR LIMITATION OF INCIDENTAL OR CONSEQUENTIAL DAMAGES, SO THE ABOVE LIMITATION MAY NOT APPLY TO THE CONSUMER. THE ONLY WARRANTY MADE BY CR/PL PRODUCTS IS SET FORTH ABOVE AND ALL IMPLIED WARRANTIES WHICH MIGHT ARISE, INCLUDING THE IMPLIED WARRANTIES OF MERCHANTABILITY OR FITNESS FOR A

PARTICULAR PURPOSE ARE HEREBY EXCLUDED.

Warranty Service: In order to obtain warranty service or adjustments, contact the builder, dealer or plumber from whom the product was purchased, or the Customer Service Department, CR/PL Products, 201 East Fifth Street, Mansfield, OH 44901 (419/522-4211). In obtaining warranty service, all transportation, shipping and freight charges connected with transporting any part of this plumbing product must be prepaid by the consumer. It is the responsibility of the consumer to establish the warranty period by verifying the original purchase date. A bill of sale, cancelled check or some other appropriate payment record may be kept for this purpose. This warranty gives you specific legal rights. You may also have other rights which vary from state to state.