



**Low Consumption Wall Hung  
Blow-Out Bowl**  
Vitreous China

**FEATURES**

• **3460 Rapidway™**

**Bowl:** 3460 Rapidway™ (1.6 gpf / 6.0 lpf) blowout action, elongated rim, 1½" top spud wall hung bowl.

**Valve:**\* Flushvalve with vacuum breaker, 1" screwdriver angle stop. Suggested (1.6 gpf / 6.0 lpf) flushvalves are:

- Sloan "Royal" #111
- Delany "Flushboy" #F402-1.6
- Zurn "Aquaflush" #Z-6000-WS-1

• **3460 Rapidway™**

**Bowl:** 3460 Rapidway™ (3.5 GPF/13.2 LPF) blowout action, elongated rim, 1½" top spud wall hung bowl.

• **3463 Rapidway™**

**Bowl:** 3463 Rapidway™ (3.5 GPF/13.2 LPF) blowout action, elongated rim, 1½" top spud wall hung bowl with bedpan lugs.

**Valve:**\* Flushvalve with vacuum breaker, 1" screwdriver angle stop. Suggested flushvalves are:

- Sloan "Royal" #115
- Delany "Flushboy" #414-AVB
- Zurn "Aquaflush" #Z-6000-2

**Supply:**

**Seat:**

**Color:**

**Support:**

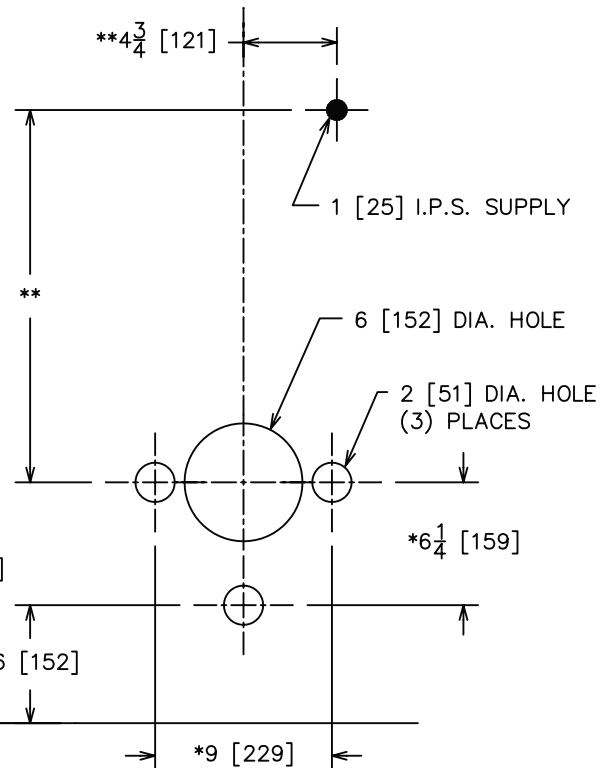
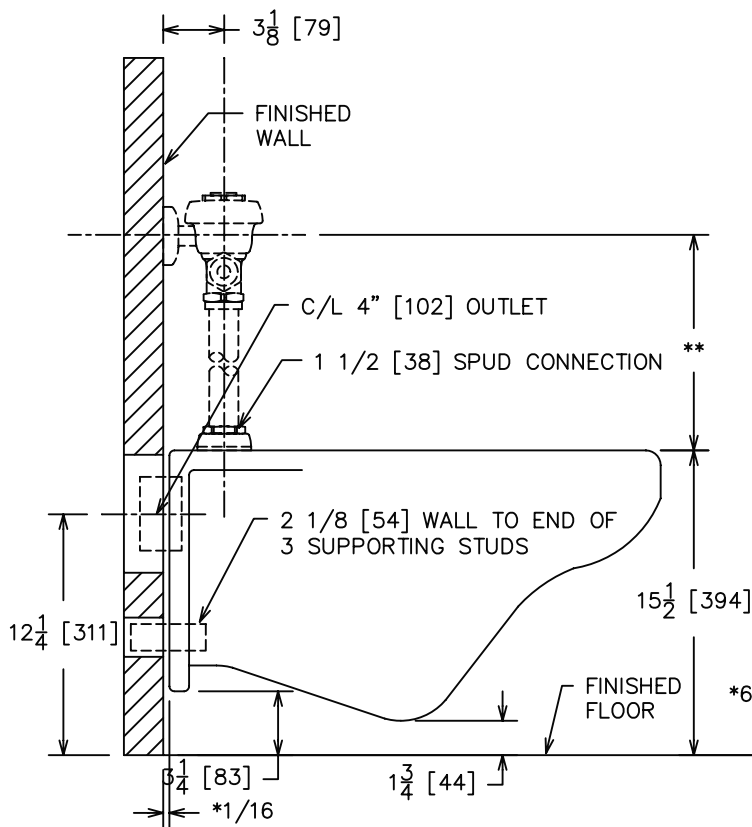
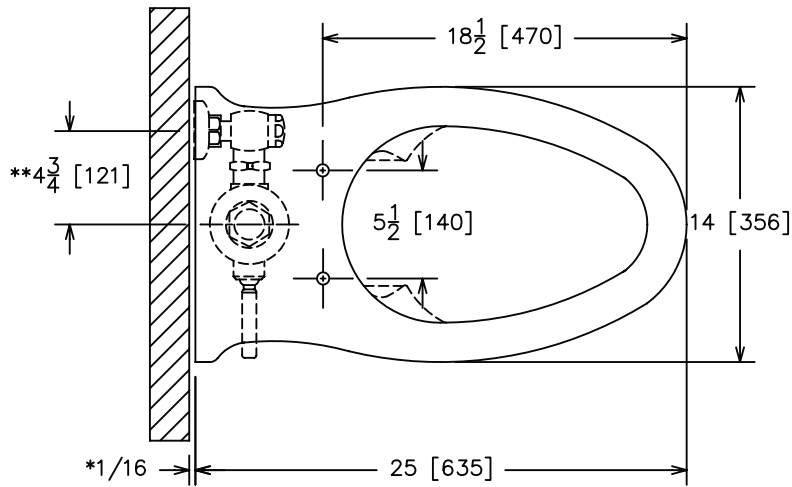
**NOTES**

- Fixture conforms to ANSI/ASME A112.19.2M standard.
- \*\*For efficient operation of the bowl, a minimum flowing water pressure of 25 P.S.I. is required at the valve.
- Fixture complies to ADA requirements when mounted at rim height of 17".
- Fully glazed trapway.

**WATER ECONOMY FACTS**

| Average Gallons Per Flush    | **25 PSI  | 50 PSI | 80 PSI |
|------------------------------|-----------|--------|--------|
| 3460 Elongated Rim (1.6 GPF) | 1.50      | 1.58   | 1.58   |
| 3460 Elongated Rim (3.5 GPF) | 3.50      | 3.50   | 3.50   |
| Trapway.....                 | 2 ½"      |        |        |
| Water Surface.....           | 12" X 10" |        |        |
| Water Seal.....              | 2 ½"      |        |        |





NOTE: ROUGH-IN DIMENSIONS FOR CLOSET SUPPORTING UNIT TO BE OBTAINED DIRECT FROM MANUFACTURER. CHECK WITH MANUFACTURER FOR PROPER OUTLET COUPLING EXTENSION BEYOND FINISHED WALL.

\* THESE DIMENSIONS MUST BE MAINTAINED FOR PROPER INSTALLATION.

\*\* VARIABLE-CHECK WITH MANUFACTURER OF FLUSHVALVE FOR PROPER ROUGHING-IN DIMENSION.

\*\*\* FIXTURE COMPLIES WITH AMERICANS WITH DISABILITIES ACT WHEN MOUNTED AT RIM HEIGHT OF 17".

FOR OUTLET CONNECTION USE NEOPRENE OR RUBBER GASKETS. NOT FOR USE WITH A WAX RING.