

# RADCLIFFE ULF™

## 3401/3402 3404/3405



w a t e r c l o s e t



### Note

- Seat supplied by others.

### SPECIFICATIONS

- 3-401: Regular rim bowl No.3-403 and unlined tank No.3-501
- 3-402: Regular rim bowl No.3-403 and lined tank No.3-502
- 3-404: Elongated rim bowl No.3-406 and unlined tank No.3-501
- 3-405: Elongated rim bowl No.3-406 and lined tank No.3-502

### 6-LITRE ULTRA LOW FLUSH (ULF) WATER CLOSET

Radcliffe ULF™'s ultra low flush water closet features the most up-to-date water conservation technology. As with our other ULF water closets, the Radcliffe ULF™ uses 55% less water than water efficient closets (13.25L per flush) and 63% less than conventional water closets (16.0L per flush).

Its powerful reverse trap siphonic flush and a 2" (51mm) trapway, much larger than most gravity fed toilets, provide for years of trouble free, dependable performance and reduces the potential for blockages. A conventional 12" (305mm) rough-in and 1<sup>3</sup>/<sub>8</sub>" (35mm) wall-to-tank clearance is suitable for new or renovation construction applications.

Manufactured in Canada, the Radcliffe ULF™ is CSA certified and is available in Crane Plumbing's regular or elongated rim styling. The Radcliffe ULF™ water closet, destined to be the water closet choice for Canadian consumers.



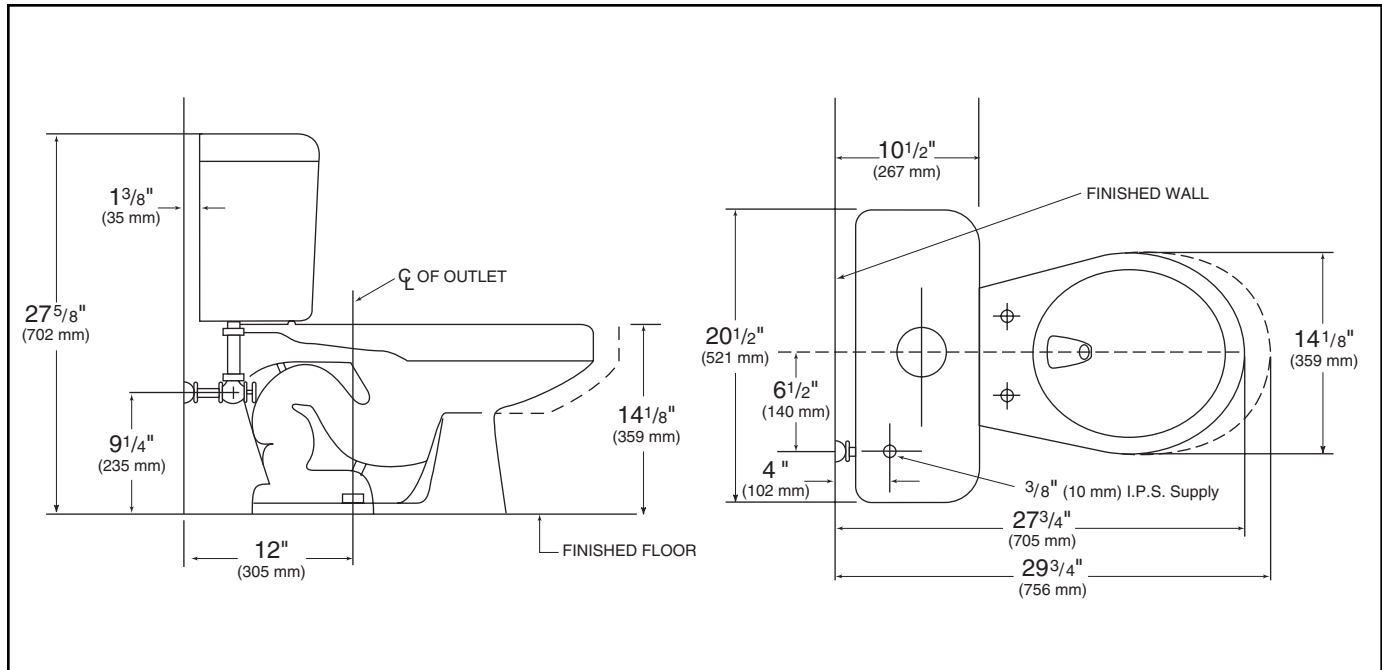
09/04



# RADCLIFFE ULF™

## 3401/3402 3404/3405

### Rough-In Specifications



**Important:** Dimensions may vary plus or minus 1/4" (6mm) and are subject to revisions.

### Physical Properties

MODEL	WATER SURFACE	WATER SEAL	TRAPWAY	WATER CONSUMPTION PER FLUSH	SHIPPING WEIGHT	TANK NO.	BOWL NO.	ROUGH-IN	BALLCOCK NO.	FLUSH VALVE NO.	TANK LEVER NO.	FLAPPER NO.
3-401	8" x 7" (203mm x 178mm)	2-1/8" (54 mm)	2" (51 mm)	6.0 litres (1.3 Cdn. gallons)	81 lbs (36.7 kg)	Unlined 3-501	Regular rim	12" (305mm)	C-3276	Unlined: C-3329 Lined: C-3330	C-3316	Unlined:
3-402						Lined 3-502	3-403					C-3206
3-404						Unlined 3-501	Elongated rim					Lined:
3-405						Lined 3-502	3-406					C-3279

### FEATURES

- 6 litres (1.3 Cdn. gallons) per flush water conservation feature
- 2" (51 mm) trapway provides high performance flushing and significantly reduces the potential for blockages
- 8" x 7" (203mm x 178mm) water surface provides maximum sanitation
- Low silhouette profile
- Available in regular or elongated rim styling for more comfort
- Traditional gravity fed operation with efficient reverse trap with siphon jet flushing action
- Standard 12" (305mm) rough-in, suitable for new or renovation construction applications
- 1 3/8" (35 mm) wall to tank rough-in clearance ensures easy installation
- Available with unlined or lined tank
- Accepts standard seats
- Complete with bolt caps and fittings
- Easy-clean sparkling vitreous china
- Color coordinated lever for Crane White, Warm White, Bone— all other colours come with Chrome lever

SEAT NOT INCLUDED

### PRODUCT STANDARDS AND APPROVALS

The Radcliffe ULF™ 6-litre ultra low flush (ULF) water closet meets the following standards:

- Canadian Standards Association for Mechanisms and hardware for Plumbing Fixtures CAN/CSA - B125
- Canadian Standards Association on Plumbing Fixtures CAN/CSA B45
- Low Consumption Type Water Closet Classification

### OPTIONS

- Tank locking device available