



**Wall Hung Lavatory  
With Decorative Shroud**  
Vitreous China

**FEATURES**

• **127V Neu-Diana™**

127V Neu-Diana™ (4" centerset) 25" x 21 1/4" vitreous china lavatory with oval basin and front overflow and decorative shroud.

• **127S Neu-Diana™**

127S Neu-Diana™ (8" centerset) 25" x 21 1/4" vitreous china lavatory with oval basin and front overflow and decorative shroud.

• **127H Neu-Diana™**

127H Neu-Diana™ (one hole centerset) 25" x 21 1/4" vitreous china lavatory with oval basin and front overflow and decorative shroud.

**Supports:** Wall mounted with supplied concealed hanger and 128 shroud.

**Trim:**

**Waste:**

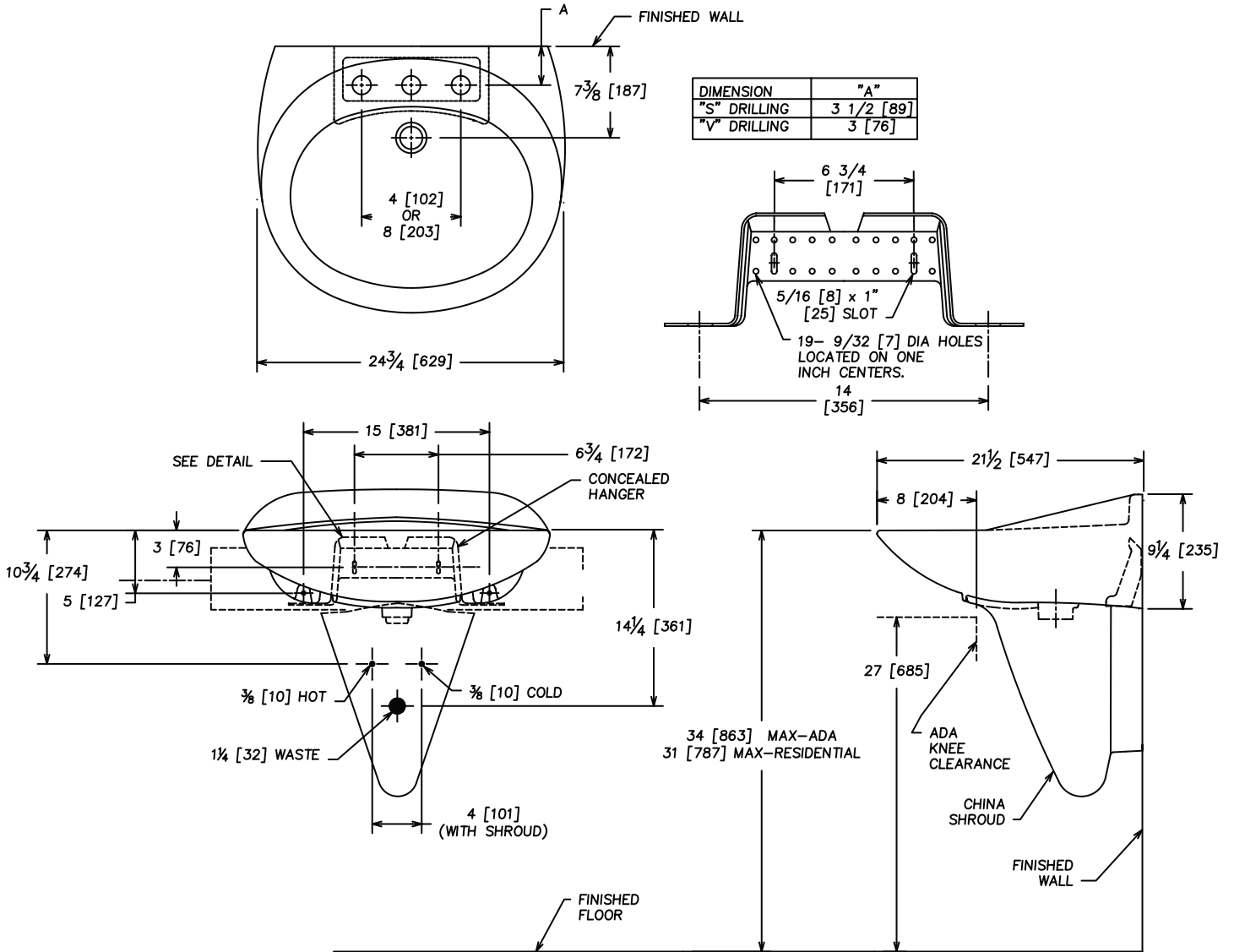
**Supplies:**

**Trap:**

**NOTES**

- Lavatory and shroud are shipped in same carton.
- Fixture conforms to ANSI/ASME A112.19.2M standard.
- Size: Lavatory 25" x 21 1/4" Basin 20 1/8" x 14 1/8"
- Fixture complies with Americans With Disabilities Act, when the top of the lavatory is mounted at rim height of 34" maximum.
- Optional Accessory Shelf: 130 vitreous china wall-mounted rectangular accessory shelf with concealed hanger and anchoring screw holes.
- Size: Shelf 25 1/2" long x 6 1/4" deep x 3 1/4" high.





NOTE: \* SUGGESTED DIMENSION-VARIABLE DEPENDING UPON TYPE OF WASTE AND SUPPLY.  
 \*\* FIXTURE COMPLIES WITH AMERICANS WITH DISABILITIES ACT WHEN THE LAVATORY IS MOUNTED AT RIM HEIGHT OF 34" MAXIMUM.  
 SUPPLY LINES MUST BE ROUGHED-IN ON 4" CENTER TO PROVIDE CLEARANCE IN THE SHROUD.  
 ALL ANCHOR HOLES MUST BE USED TO INSURE PROPER INSTALLATION.

**IMPORTANT:** Roughing-in dimensions may vary 1/2" and are subject to change or cancellation without prior notice.  
 No responsibility is assumed for use of superseded or voided leaflets.