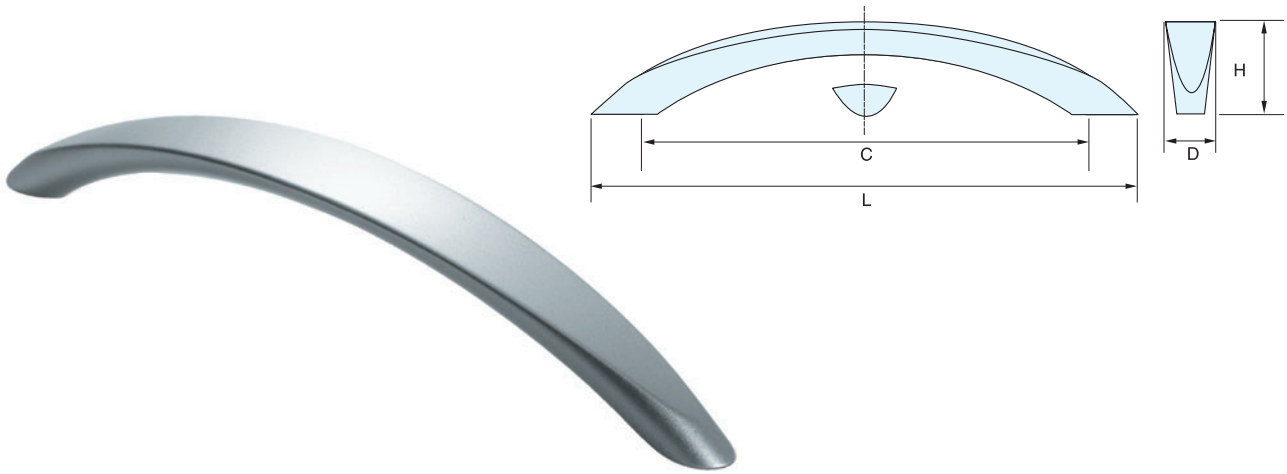


HANDLE



EG-36



Finish: Matte Chrome (MC) Matte Nickel (MNI) Black (BLK)

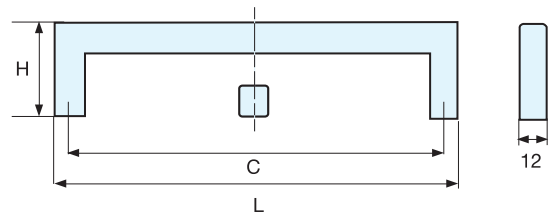
Please specify the finish when ordering

Item No.	L	C	H	D	Weight (g)	Box (pcs)	Carton (pcs)	Material
EG-36160	187	160 (6-19/64")	32 (1-7/64")	20	155	25	250	Zinc Alloy
EG-36192	221	192 (7-9/16")	35 (1-3/8")	22	226			

HANDLE



EG-42



Finish: Matte Chrome (MC) Matte Nickel (MNI) Black (BLK)

Please specify the finish when ordering

Item No.	L	C	H	Weight (g)	Box (pcs)	Carton (pcs)	Material
EG-42160	172	160 (6-19/64")	40 (1-37/64")	204	25	250	Zinc Alloy
EG-42224	236	224 (8-13/16")	40 (1-37/64")	255			