



One Piece Barrier-Free Shower Module Cast Acrylic

FEATURES

- **A 6038.01F R/L**

The unit is molded with a shampoo/soap shelf centered on the back wall. Shower modules shall be pre-drilled for a valve and a handheld shower head when factory supplies components. All units have an anti-skid floor treatment.

The unit shall be installed in a pit, 1 3/4" deep so that the finished floor will be level with the top of the threshold.

Unit must be set in a mortar base leveled and any clearances between the pit opening and the unit be filled with mortar. Shimming is necessary. It is recommended that a floor drain at or near the entrance to the shower be included.

The factory supplied components are to include one stainless steel wrap around grab bar, two stainless steel vertical grab bars, a fold-up seat with white phenolic bench, and a stainless steel curtain rod.

The unit is thermoformed from continuous cast acrylic sheet into a one piece seamless unit. The unit is reinforced with a composite matrix. The unit has a backside fire rating of "A" and a flame spread of 25.

- **A 6038.01GR**

Same as above less seat with grab bar on right side.

- **A 6038.01GL**

Same as above less seat with grab bar on left side.

NOTES

- Anti-skid floor treatment meets performance requirements of ASTM F-462-78.
- The basic shower conforms to ANSI Z124.2.
- Nominal Dimensions: Inside: 54" x 36"
Outside: 60 3/4" x 37 1/2"
Pit Roughing-In: 61 1/4" x 38"
- Factory installed components are provided with additional back reinforcements to provide code complying structural integrity. In addition, these components are sealed from the backside.

OPTIONS

- Pressure balanced, single lever mixing valve with stops. (180AA)
- Thermostatically controlled single lever mixing valve with stops. (T162AA)
- Hand held shower with swivel fitting, 69" flexible stainless steel hose, and an in-line vacuum breaker. (H11)
- 24" slide guide. (For hand held shower attachment.) (H12)
- Dome Light. (ATP1)
- 2" plastic drain with chrome plated strainer. (PD2)
- 2" cast brass drain with chrome plated strainer. (H30)
- White shower curtain with hooks. (C4)
- Lucite® acrylic sheet containing Microban® antimicrobial product protection. Available in white and bone only. (MBP)

Lucite is a registered trademark of INEOS Acrylics, Inc. Microban is a registered trademark of Microban Products Company, Huntersville, NC.

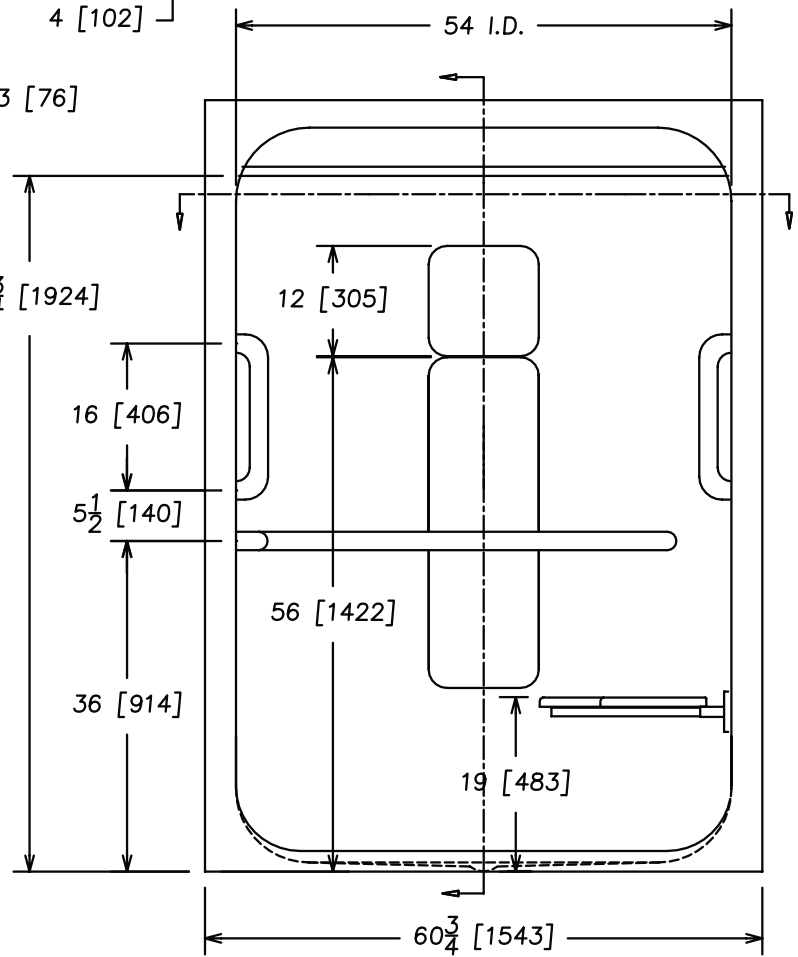
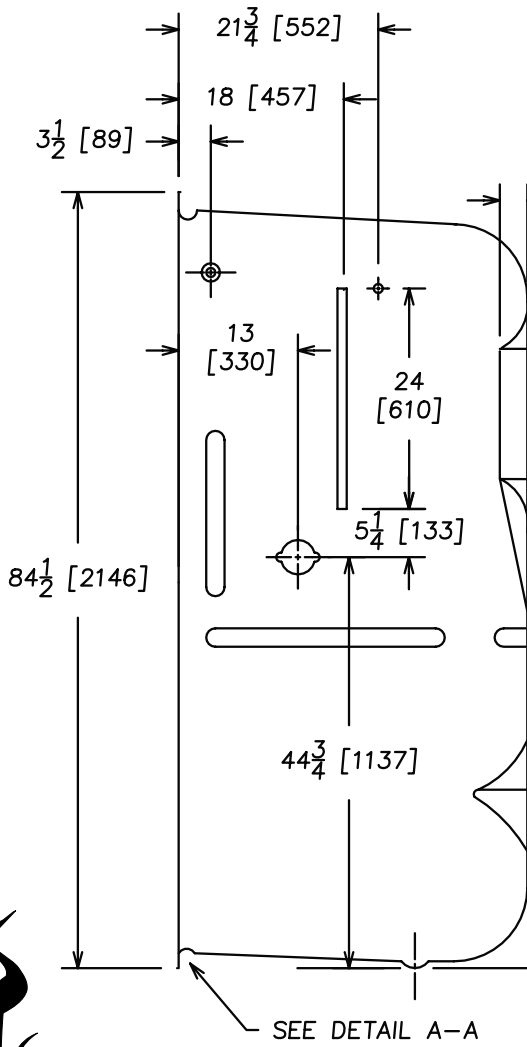
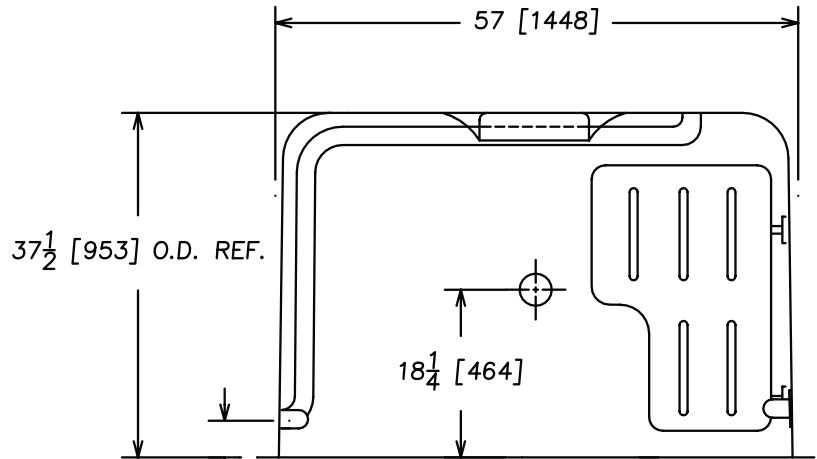
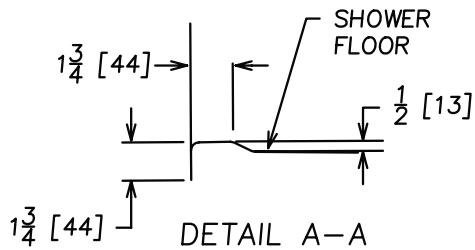


BARRIER-FREE SHOWER

A 6038.01F

One Piece Acrylic Barrier-Free Shower Modules

- A 6038.01FR - Right Hand Seat
- A 6038.01GL - Left Hand Bar
- A 6038.01FL - Left Hand Seat
- A 6038.01GR - Right Grab Bar



IMPORTANT: Roughing-in dimensions may vary 1/2" and are subject to change or cancellation without prior notice. No responsibility is assumed for use of superseded or voided leaflets.