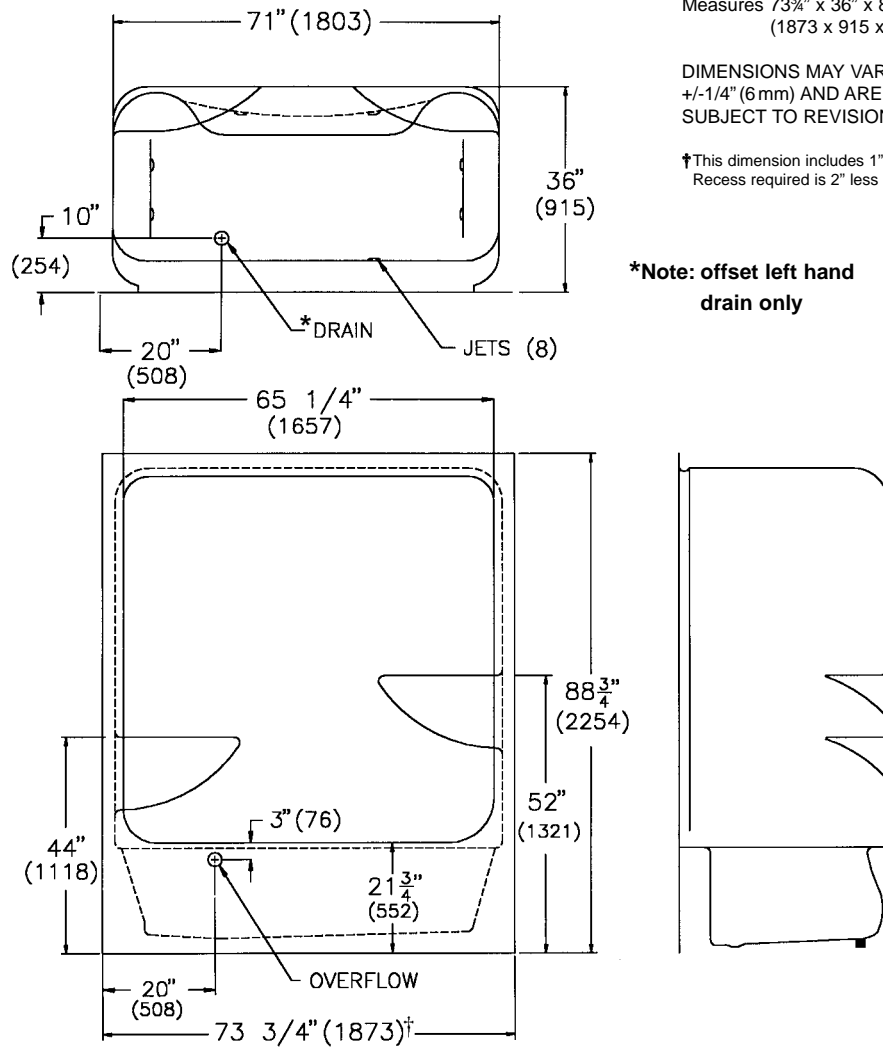




**FEATURES:**

- spacious 6' length
- two integrally molded shelves
- two integrally molded back rests (one at each end)
- faucet deck in the center of the back wall
- offset drain (LH side only)
- textured sump
- suitable for above floor rough-in
- 1" (25mm) screw flange for easy fastening to studs
- bottom of flange notched to accommodate sill plate

*Quality for Life*



**Available Options:**

- Steam package (-S): with generator, control, steam head and SD77C door in chrome or gold finish
- Whirlpool package, 8 jets (-W)
- Bubbler package, 10-buttons (-B)
- SD73 series tempered glass sliding door, clear or obscure design, in chrome or gold finish
- SD77C series aluminum steam door enclosure with clear glass, in chrome or gold finish (-SD package must be specified at time of ordering)
- Removable acrylic seat (RH or LH or both - specify)
- Model 1002/1021 waterproof canopy light package – CSA approved (for field installation)
- White and colours

**General:**

The modular showers shall be manufactured by FIAT Products Ltd. The units shall be thermoformed from continuous cast, cross linked acrylic sheet into a one-piece seamless unit with smooth rounded corners and reinforced in back with fibreglass and polyester resin which has been further treated with a flame retardent additive. All FIAT acrylic units meet or exceed flame and

smoke standards as outlined in the National Building Code of Canada. All grab bars meet or exceed ASTM standards. Modular showers shall be pre-drilled for drain fitting connection (supplied by others). Vertical flanges shall be pre-drilled to facilitate to attaching to studs.

**Important:**

Dimensions may vary plus or minus 1/4" (6 mm) and are subject to revision. Specifications are subject to change without notice. Unless otherwise specified, CSA approval has been obtained wherever required. All products must be installed in accordance with installation instructions provided. Failure to do so may invalidate warranty at manufacturer's discretion.

**Warranty:**

Fiat Products Ltd. warrants to the purchaser of FIAT Bathware Products that each unit is free from defects in material and workmanship, under normal use for a period of 5 years on regular acrylic units, 3 years on steam suites, and one year on doors. Fully detailed warranty card and installation manual are supplied with each unit.

The Renaissance, Fiat's largest acrylic bathing suite, is the embodiment of total comfort. Extra space, extra features, and extra elegance all combine to provide the most luxurious bathing experience available.

