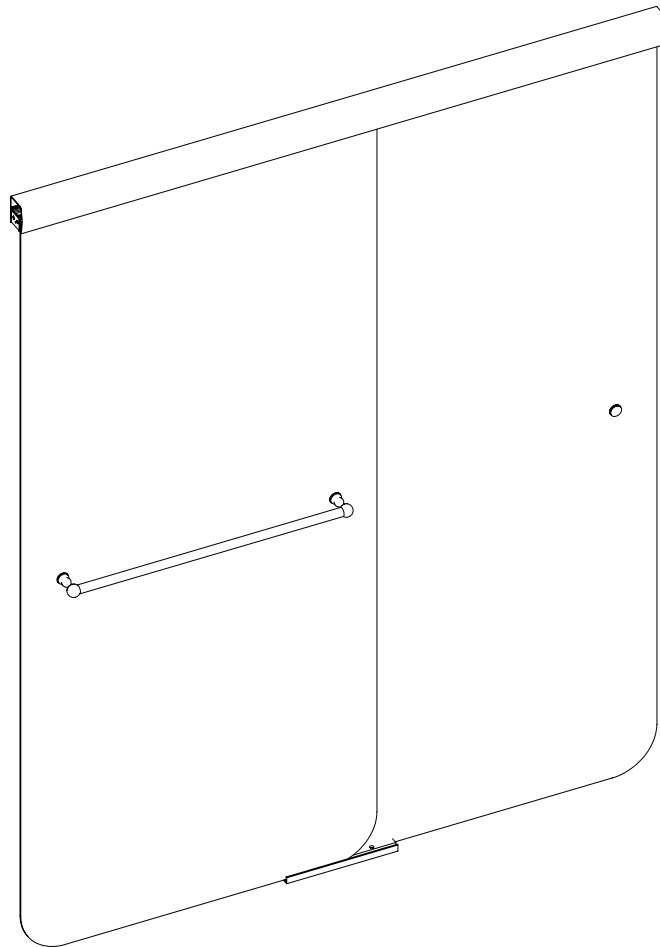


# FIAT

PRODUCTS LTD

INSTALLATION INSTRUCTIONS  
FOR  
EURO BY-PASS DOORS  
SDEU45 SDEU55 SDEU65



**PACKING LIST**

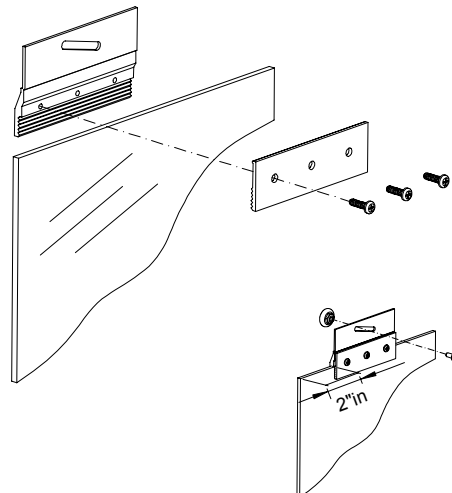
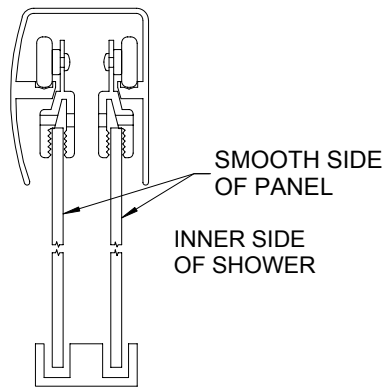
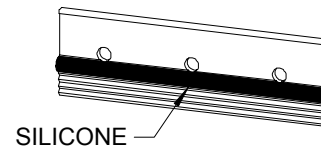
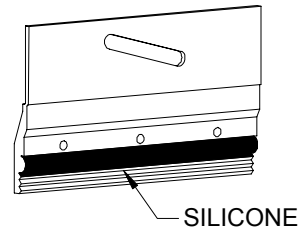
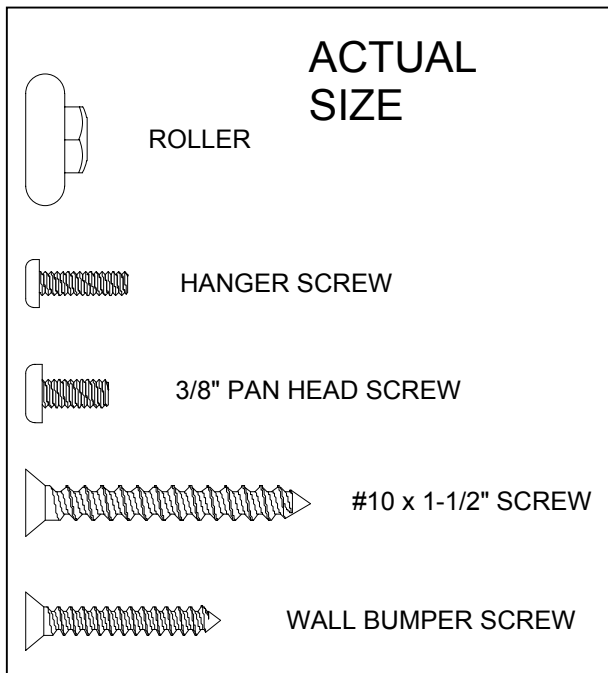
- 2 – Glass Panels
- 1 – Header
- 1 – Towel Bar
- 2 – Hardware Packs

## STEP 1 - PREPARE DOOR FOR INSTALLATION

Before installing rollers, hangers, towel bar and pull knobs, please see the side view of a completed door below. Note that the screwheads for the roller screws and hanger screws are located between the two panels. The smoothest surface of each panel should face to the inside of the shower.

Mount nylon rollers in the middle of the slots of the larger hanger. Apply silicone as shown. Position large and small hangers on top of glass 2" in from each end, clamp together and insert screws from opposite side of rollers as shown alternately tightening each of the three screws. Trim excess silicone with sharp knife after it has set.

**NOTE:** This step should be done first to allow silicone to cure while proceeding with the following steps.

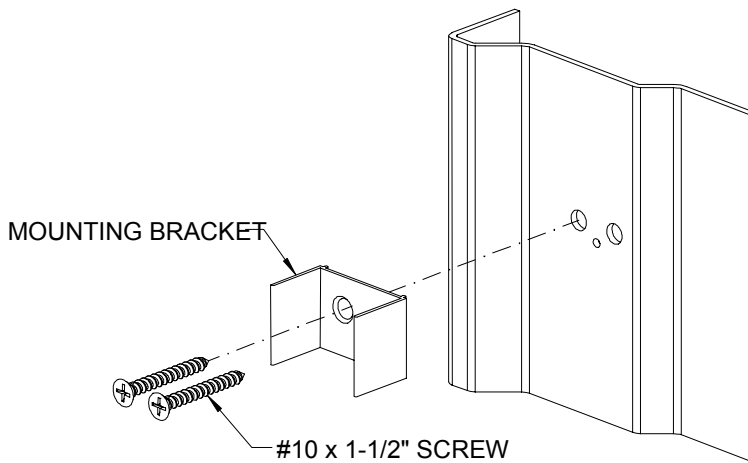
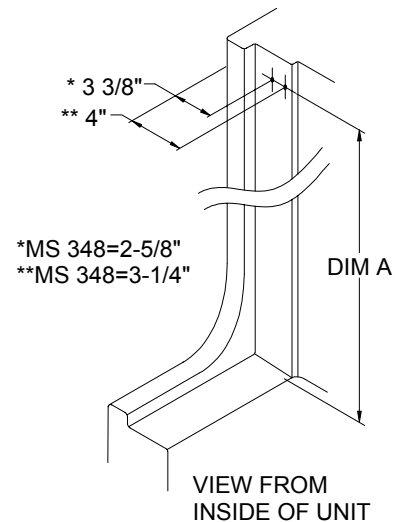


## STEP 2: LOCATING MOUNTING BRACKETS

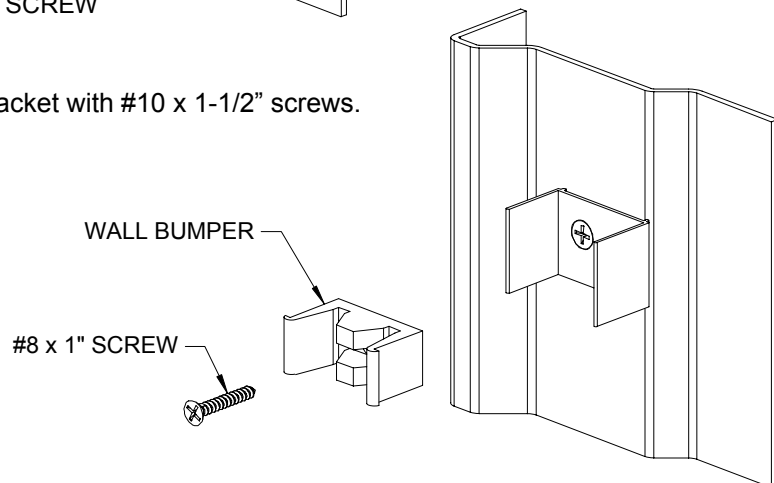
1. Refer to Table 1 to find the DIM. A which corresponds to the door you are installing. Measure up from the lower edge of the door opening to find the height of the hole locations. **SEE FIGURE 1.**
2. Mark the hole locations 3-3/8" and 4" from the face of the unit. **SEE FIGURE 1.** (Note \* on MS-348.)
3. Drill 5/32" holes (4 places) and fasten the mounting brackets into place with #10 x 1-1/2" screws provided. **SEE FIGURE 2.**
4. Mount the wall bumpers. Drill 1/8" hole for bumper screw. Insert WBI wall bumper into mounting bracket, and attach using #8 x 1 Flat head wall bumper screw. **SEE FIGURE 3.**

**Table 1**

UNIT	DOOR	DIM. A
MS-348 & A4834.02	SDEU45	68-1/8"
MS-4836 & A4836.01	SDEU45	68-1/8"
MS-305 & A6034.05	SDEU55	66-7/8"
MS-306 & A6034.07	SDEU55	66-7/8"
MTS-6200 & A6031.20	SDEU65	58-1/8"
MTS-6300 & A6031.21	SDEU65	58-1/8"
MTS-6035 & A6035.22	SDEU65	58-1/8"



**Figure 2** – Install Mounting Bracket with #10 x 1-1/2" screws.



**Figure 3** – Drill 1/8" hole for wall bumper screw. Insert WBI wall bumper into mounting bracket, and attach using #8 x 1 Flat head wall bumper screw.

### STEP 3: MOUNTING THE HEADER BAR

1. Measure the distance between the walls at the mounting bracket location. **ONLY IF REQUIRED**, cut the header bar with a fine hacksaw and place it over the brackets as shown in **FIGURE 4**. Make sure header bar is level.

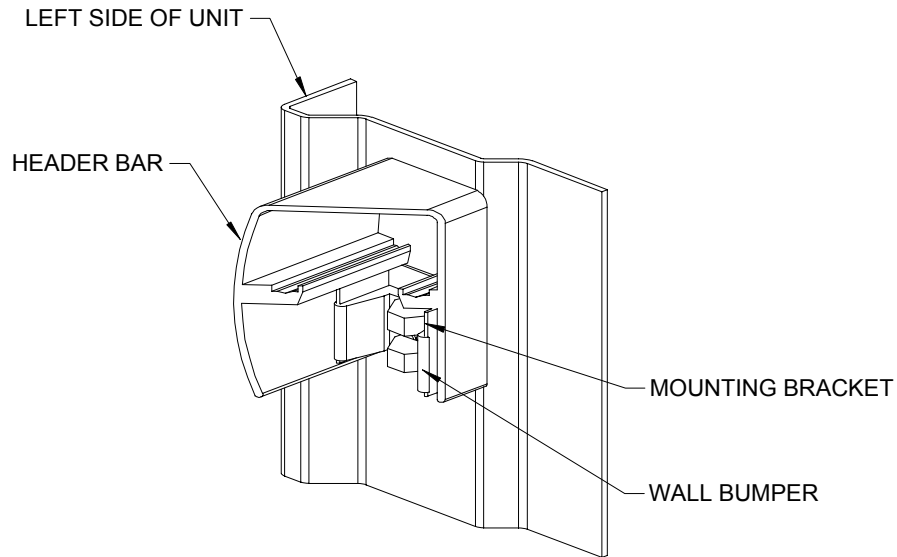


Figure 4

### STEP 4: MOUNTING BOTTOM SLIDE GUIDE

1. Locate center of shower opening.
2. Center the door slide guide from side to side and flush to the inside edge.
3. Mark hole locations and drill two (2) – 5/32" holes.
4. Fasten slide guide in place with #10 x 1-1/2" screws.

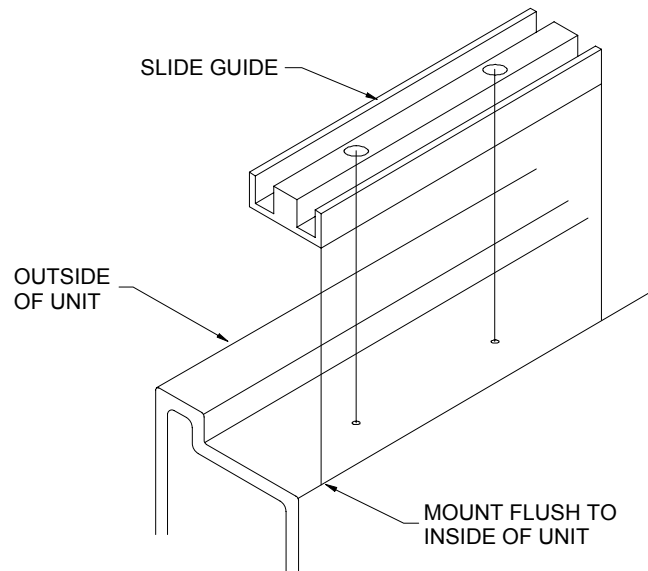


Figure 5

## STEP 5: HANGING THE GLASS PANELS

1. Insert glass panels into the header bar and then the bottom slide guide. **SEE FIGURE 6.**
2. The glass panel on the inside track must be closest to the “shower head” side of the unit.
3. Panel height may be adjusted by changing the position of the rollers as required.

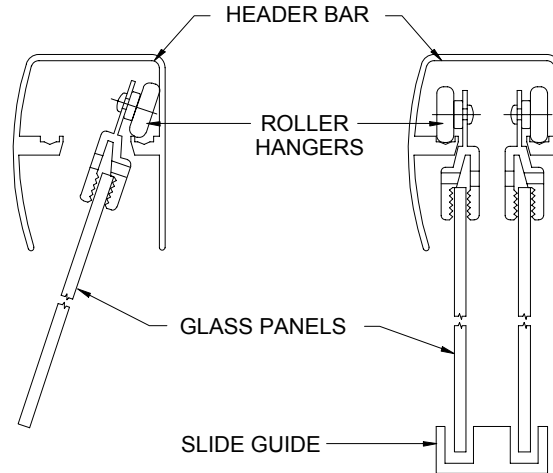


Figure 6

## STEP 6: ATTACHING PULL KNOBS & TOWEL BARS

1. Attach the towel bar to the outside panel by first putting the plastic grommets into the holes in the glass. Next, put a plastic washer over the towel bar screw and insert into the grommet. Put a plastic washer on the other side of the grommet and thread screw loosely into the towel bar. **SEE FIGURE 7.** Repeat this process for the other side of the towel bar and the two pull knobs for the inside panel. **SEE FIGURE 8.** Hand tighten after all the screws are in place. If the bar or knobs loosen over time, place a cloth over the screws and tighten with pliers.

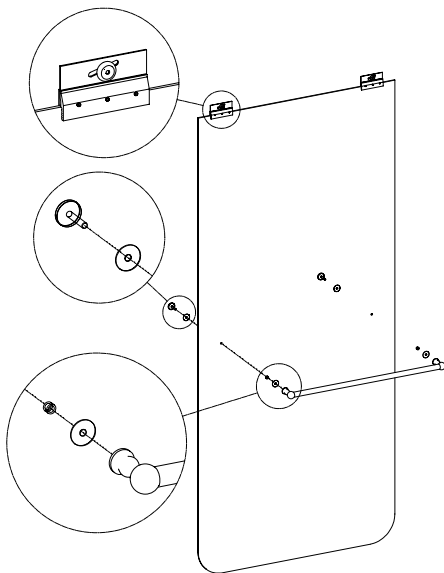


Figure 7

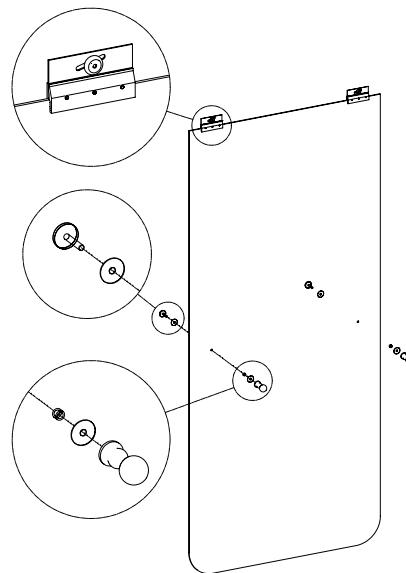


Figure 8

**PARTS LIST**

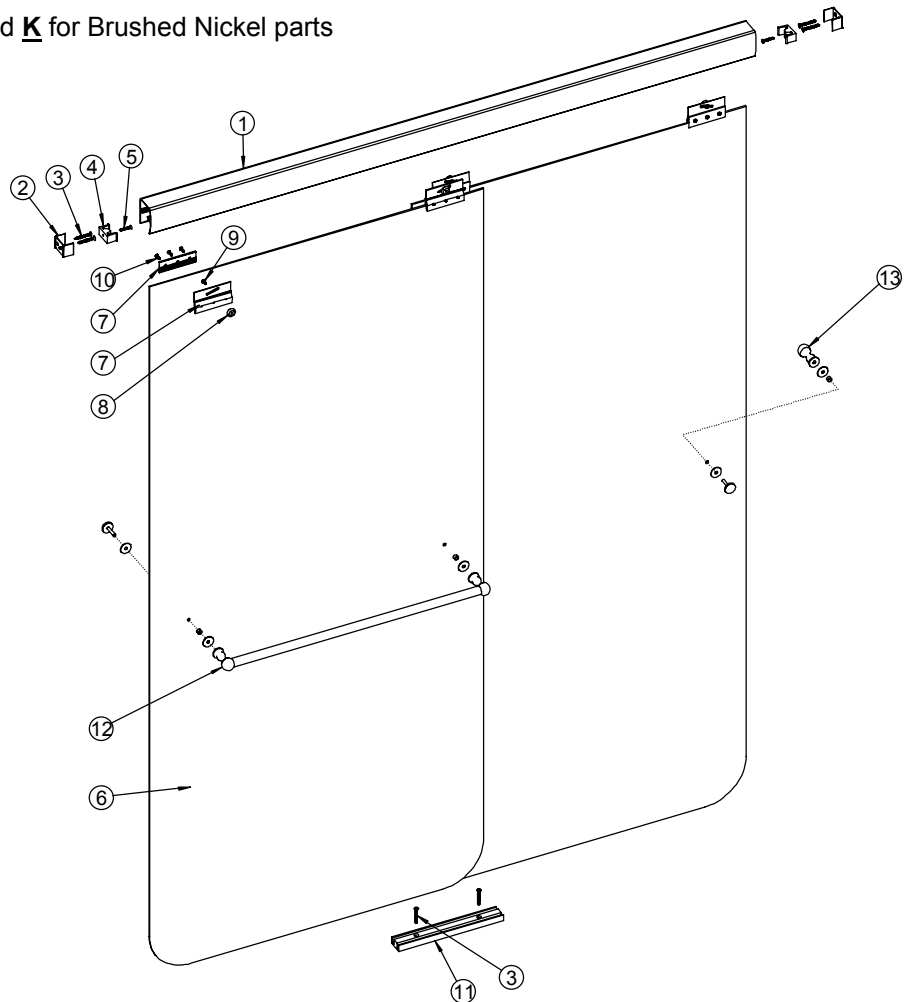
**EURO BY-PASS DOORS**

	<b>DESCRIPTION</b>	<b>SDEU45</b>	<b>SDEU55</b>	<b>SDEU65</b>	<b>QTY</b>
1	HEADER BAR	AEUH_45	AEUH_55	AEUH_65	1
2	MOUNTING BRACKETS	EX106	EX106	EX106	2
3	#10 X 1-1/2" SCREW	S_1003	S_1003	S_1003	6
4	WALL BUMPER	WBI	WBI	WBI	2
5	WALL BUMPER SCREW	81-F	81-F	81-F	2
6	GLASS PANEL	GEU45P__	GEU55P__	GEU65P__	2
7	ROLLER HANGER	A_4659	A_4659	A_4659	4
8	ROLLER	HW2151	HW2151	HW2151	4
9	3/8" PAN HEAD SCREW	SC0807	SC0807	SC0807	4
10	HANGER SCREW	6-32 x 1/2"	6-32 x 1/2"	6-32 x 1/2"	12
11	SLIDE GUIDE	VSG	VSG	VSG	1
12	TOWEL BAR	TT1198_18	TT1198_24	TT1198_24	1
13	PULL KNOB	EU_KNOB	EU_KNOB	EU_KNOB	2

**\*\*NOTES:** The blanks must be filled in when ordered, according to your needs:

1. C for chrome parts and K for Brushed Nickel parts
2. For Glass Panels

C for Clear  
421 for Reed  
422 for Rain



## **HOW TO CARE FOR YOUR ENCLOSURE**

Never use scouring powders, pads or sharp instruments on aluminum, metal, or the glass panels. An occasional wiping down with mild detergent diluted in water is all that is needed to keep your door looking like new. The use of a squeegee following each shower is recommended to eliminate water spots on the inside of the glass panels.

All statements, technical information, and recommendations contained herein are based on tests we believe to be reliable, but the accuracy or completeness thereof is not guaranteed, and the following is made in lieu of all warranties, expressed or implied. Neither seller nor manufacturer shall be liable for any injury, loss or damage, direct or consequential, arising out of the use of or the inability to use the product. Before using, the seller shall determine suitability of the product for the intended use and user assumes all risks and liability whatsoever in connection therewith. No statement or recommendation contained herein shall have any force or effect, unless it is an agreement signed by officers of seller or manufacturer.

### **National Customer Assistance Group**

255 Hutchings Street Winnipeg Manitoba R2X 2R4

Toll Free 1-800-665-7531 (204) 633-6122

Fax (204) 632-4854

In the U.S. call 1-800-546-5476