

9 INSTITUTIONAL SHOWER MODULE A 6036.04G



One Piece Shower Module Cast Acrylic

FEATURES

- **A 6036.04G R/L**

The unit is molded with an integral seat and a shampoo/soap shelf along the back wall. Shower modules shall be pre-drilled for a valve and a handheld shower head when factory supplies components. All units have an anti-skid floor treatment.

Unit must be set in a mortar base, leveled and any clearances between the pit opening and the unit be filled with mortar. Shimming is necessary. It is recommended that a floor drain at or near the entrance to the shower be included.

The factory supplied components are to include two stainless steel horizontal grab bar, an integral seat, and a stainless steel curtain rod.

The unit is thermoformed from continuous cast acrylic sheet into a one piece seamless unit. The unit is reinforced with a composite matrix. The unit has a backside fire rating of "A" and a flame spread of 25. The shower models are pre-dilled to accept a 2" shower drain (supplied by others).

NOTES

- Anti-skid floor treatment meets performance requirements of ASTM F-462-78.
- The basic shower conforms to ANSI Z124.2.
- Nominal Dimensions: Inside: 60" x 36"
Outside: 68 3/4" x 36 1/2"
Roughing-In: 69 1/4" x 37"
- Factory installed components are provided with additional back reinforcements to provide code complying structural integrity. In addition, these components are sealed from the backside.

OPTIONS

- Pressure balanced, single lever mixing valve with stops. (180AA)
- Thermostatically controlled single lever mixing valve with stops. (T162AA)
- Hand-held shower with swivel fitting, 69" flexible stainless steel hose, and in-line vacuum breaker. (H11)
- 24" slide guide. (For hand-held shower attachment.) (H12)
- Dome light. (ATP1)
- 2" plastic drain with chrome plated strainer. (PD2)
- 2" cast brass drain with chrome plated strainer. (H30)
- White shower curtain with hooks. (C7)
- Lucite® acrylic sheet containing Microban® antimicrobial product protection. Available in white and bone only. (MBP)

Lucite is a registered trademark of INEOS Acrylics, Inc. Microban is a registered trademark of Microban Products Company, Huntersville, NC.

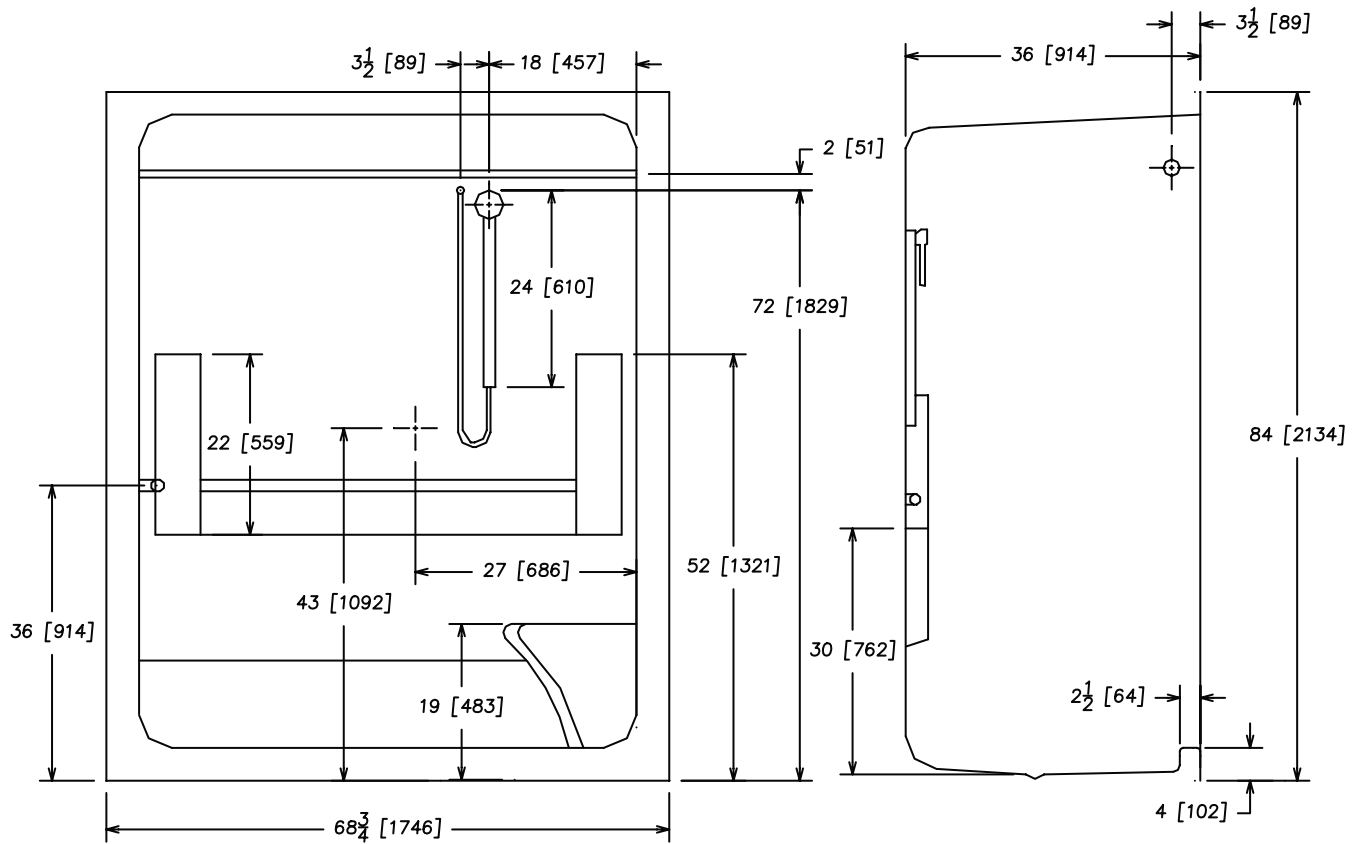
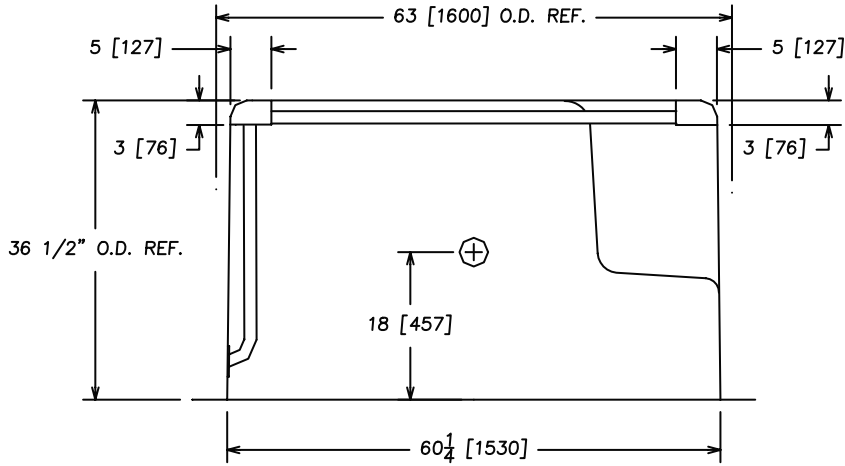


9 INSTITUTIONAL SHOWER MODULE

A 6036.04G

One Piece Cast Acrylic Institutional Shower Module

A 6036.04GR - Right Hand Seat
 A 6036.04GL - Left Hand Seat



IMPORTANT: Roughing-in dimensions may vary 1/2" and are subject to change or cancellation without prior notice.
 No responsibility is assumed for use of superseded or voided leaflets.