



**16 1/8" High, Low Consumption Bowl**  
Vitreous China

**FEATURES**

- **3816 Hymont, Jr.™**

**Bowl:** 3816 Hymont, Jr.™ (1.6 gpf / 6.0 lpf), 16 1/8" high, vitreous china elongated rim, siphon action, 1 1/2" top spud and bolt caps.

**Valve:**\* Flush valve with vacuum breaker, 1" angle screwdriver stop and flush connection. Suggested (1.6 gpf / 6.0 lpf) flushvalves are:

Sloan "Royal"	#111
Delany "Flushboy"	#F402-1.6
Zurn "Aquaflush"	#Z-6000-WS-1

**Supply:**

**Seat:**

**Color:**

**NOTES**

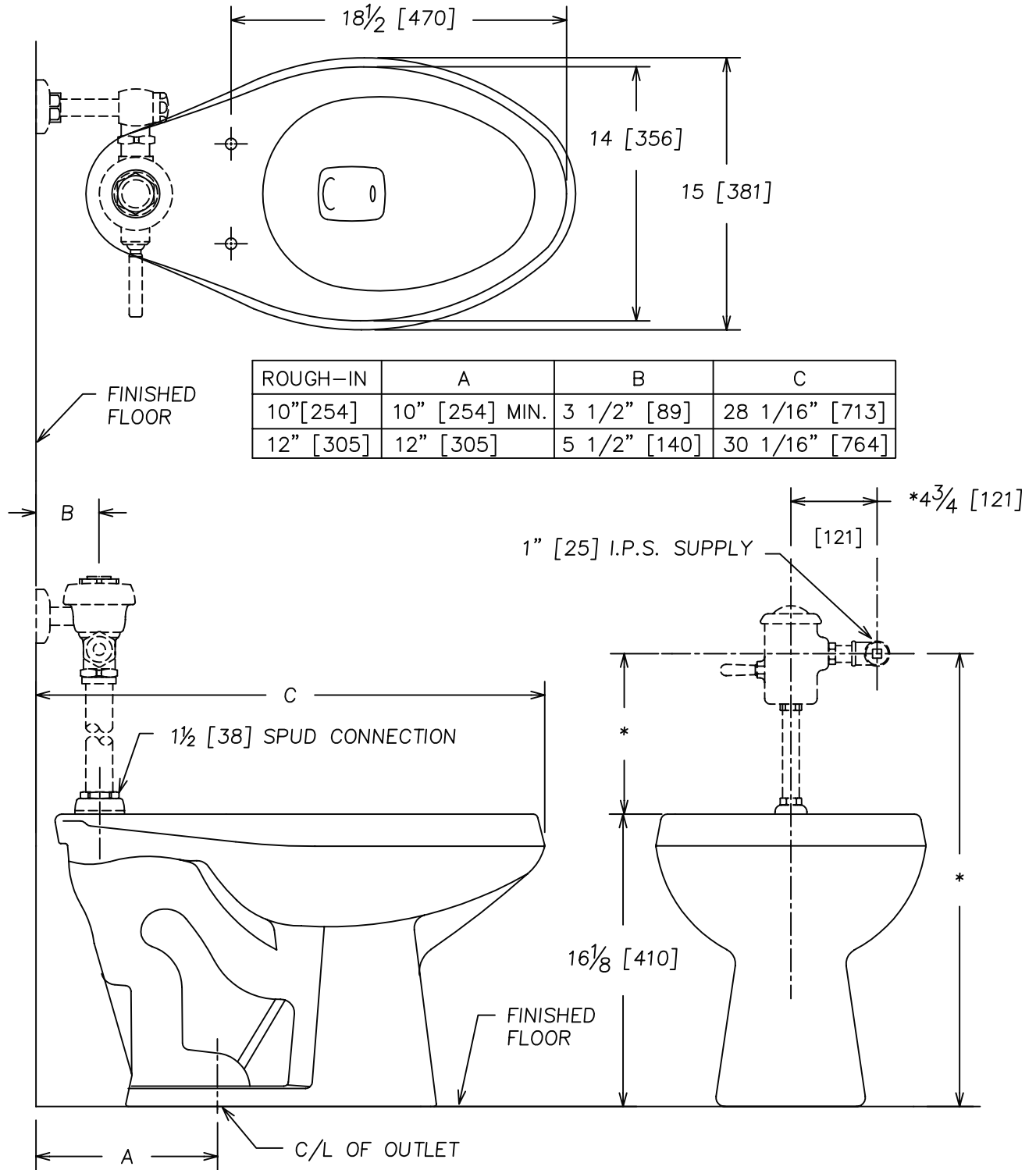
- Fixture conforms to ANSI/ASME A112.19.2M standard.
- Fixture complies with Americans With Disabilities Act.
- \*\*For efficient operation of the bowl, a minimum flowing water pressure of 25 P.S.I. is required at the valve.
- Fully glazed trapway.

**WATER ECONOMY FACTS**

Average Gallons Per Flush	**25 PSI	50 PSI	80 PSI
3816 Elongated Rim	1.56	1.56	1.56
TRAPWAY.....	2"		
WATER SURFACE.....	9" x 8"		
WATER SEAL.....	2 3/4"		



\* Not furnished by CR/PL, L.L.C. Description for specification purposes only.



NOTE: \* VARIABLE-CHECK WITH MANUFACTURER OF FLUSH VALVE FOR PROPER ROUGHING-IN DIMENSION.

**IMPORTANT:** Roughing-in dimensions may vary 1/2" and are subject to change or cancellation without prior notice. No responsibility is assumed for use of superseded or voided leaflets.