



**12" [305] Rough-in, Low Consumption Closet Combination Vitreous China**

**FEATURES**

• **3782 Galaxy® Elite II**

**Bowl:** 3352 Galaxy® II regular rim vitreous china (1.6 gpf / 6.0 lpf), siphon jet action with bolt caps.

**Tank:** 3742 Galaxy® Elite 12" [305] roughing-in vitreous china tank and cover with flush valve, float valve with backflow preventer, and color coordinated trip lever.

• **3783 Galaxy® Elite II Plus**

**Bowl:** 3352 Galaxy® II regular rim vitreous china (1.6 gpf / 6.0 lpf), siphon jet action with bolt caps.

**Tank:** 3743 Galaxy® Elite Plus 12" [305] roughing-in insulated vitreous china tank and cover with flushvalve, float valve with backflow preventer, and color coordinated trip lever.

• **3792 Galaxy® Elite II**

**Bowl:** 3372 Galaxy® II elongated rim vitreous china (1.6 gpf / 6.0 lpf), siphon jet action with bolt caps.

**Tank:** 3742 Galaxy® Elite 12" [305] roughing-in vitreous china tank and cover with flushvalve, float valve with backflow preventer, and color coordinated trip lever.

• **3793 Galaxy® Elite II Plus**

**Bowl:** 3372 Galaxy® II elongated rim vitreous china (1.6 gpf / 6.0 lpf), siphon jet action with bolt caps.

**Tank:** 3743 Galaxy® Elite Plus 12" [305] roughing-in insulated vitreous china tank and cover with flushvalve, float valve with backflow preventer, and color coordinated trip lever.

**Supply:**

**Seat:**

**Color:**

**NOTES**

- Fixture conforms to ANSI/ASME A112.19.2M standard.
- Also available with right hand trip lever tank model number 3746.

**WATER ECONOMY FACTS**

Average Gallons Per Flush	20 PSI	50 PSI	80 PSI
3782, 3783 Regular Rim (gpf)	1.50	1.58	1.59
3782, 3783 Regular Rim (lpf)	5.67	5.97	6.01
3792, 3793 Elongated Rim (gpf)	1.40	1.47	1.54
3792, 3793 Elongated Rim (lpf)	5.29	5.56	5.82
TRAPWAY.....	2" [51]		
WATER SURFACE.....	10" [254] x 8" [203]		
WATER SEAL.....	2 5/8" [67]		

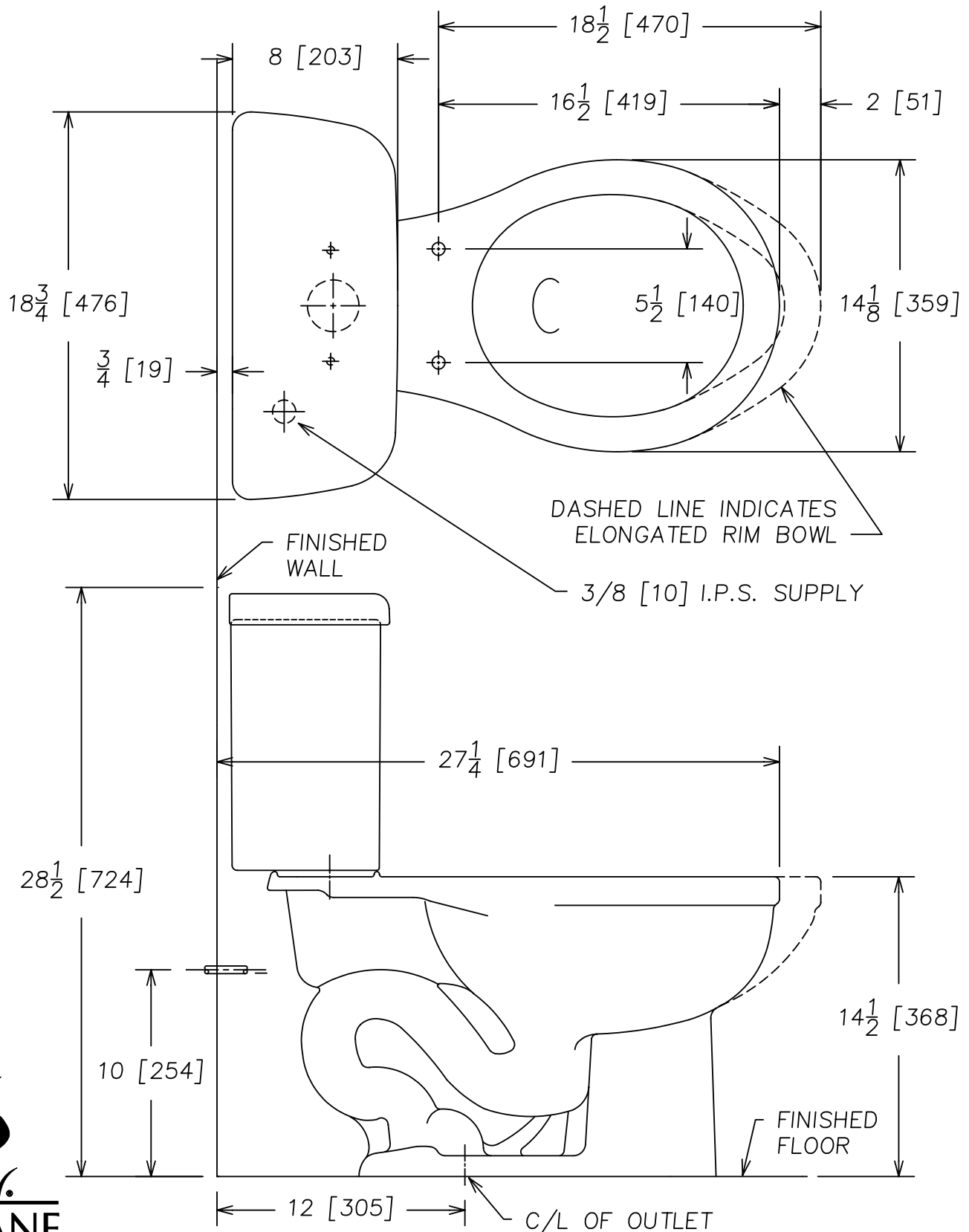


# GALAXY® ELITE II

12" [305] Rough-In Low Consumption Combination

**3782 / 3783**

**3792 / 3793**



**IMPORTANT:** Roughing-in dimensions may vary  $\frac{1}{2}$ " [13] and are subject to change or cancellation without prior notice. No responsibility is assumed for use of superseded or voided leaflets.

CR/PL© 07/03 Printed in U.S.A.