



Sectional Bathing Suite 62" x 33 1/2"
Modular Tub/Shower
Cast Acrylic

FEATURES

- **A 6031.21 R/L - Tub/Shower Module**
 - 60" x 31" x 88" (nominal)
 - Two clear acrylic towel bars
 - Integrally molded shelves
 - Three piece sectional installs from front with Fiat Fushion™ connection system
 - Bottom of flange notched to accommodate sil plate
- **A 6031.21S R/L - Tub/Shower Steamsuite Module**
 - 60" x 31" x 88" (nominal)
 - A 6031.21 as listed above plus:
 - Digital timer
 - Steam generator, 240 VAC, 20 Amp for installation within 15 feet of shower
 - Chrome steam outlet
 - Factory installed anodized aluminum door channels
 - Clear glass hinged door and side panels for field installation
- **A 6031.21W R/L - Tub/Shower Module With Whirlpool**
 - 60" x 31" x 88" (nominal)
 - A 6031.21 as listed above plus:
 - Six color coordinated jets on standard color units, chrome on others
 - One HP pump/motor, 110 VAC, 15 Amp
 - Air switch on/off control
 - Two air controls

NOTES

- **Dimensions:** 62" x 30 1/2" x 88" with flange
- **Shipping Weight:** A 6031.21 RH or LH 185 lbs.
- **Shipping Weight:** A 6031.21S RH or LH 280 lbs.
- **Shipping Weight:** A 6031.21W RH or LH 223 lbs.
- **Shipping Weight:** A 6031.21SW RH or LH 318 lbs.
- **Water Capacity:** 47 Gallons
- **Certifications:** ANSI Z124.1 and CSA B45
- *Illustrated installation instructions included.*

OPTIONS

- *Canopy light (factory drilled for field installation) 60 watt dome mounted shower light. White lens only. (ATP1)*
- *Tempered glass sliding door. Available in clear, patterned or obscure glass design and chrome or polished brass finish. (SD60 series)*
- *Steam door enclosure, tempered clear glass (channel factory installed, door field installed). Available in chrome or polished brass included with steam package. (SD70)*
- *Padded head rest (field installed). White only. (6240)*
- *Removable acrylic seat. (6205)*
- *LED digital timer (factory installed) temperature setting, 2 program memory for time and temperature. Available in chrome or polished brass. For steam unit. (6270)*
- *In-line heaters for whirlpool: 1.5 kw heater with stainless steel housing factory installed for use on separate 110/120 VAC, 15 AMP service. A GFI is required by code (supplied by others). (HT1)*
- *Upgrade to pulsating jets. (PJ1)*
- *Whirlpool system trim (field installed) available in chrome or polished brass finishes. (6JTK)*
- *Lucite® acrylic sheet containing Microban® antimicrobial product protection. Available in white and bone only. (MBP)*

- **A 6031.21SW R/L - Steamsuite Tub/Shower Module With Whirlpool**
 - 60" x 31" x 88" (nominal)
 - Includes all features as listed A 6031.21W and A 6031.21S

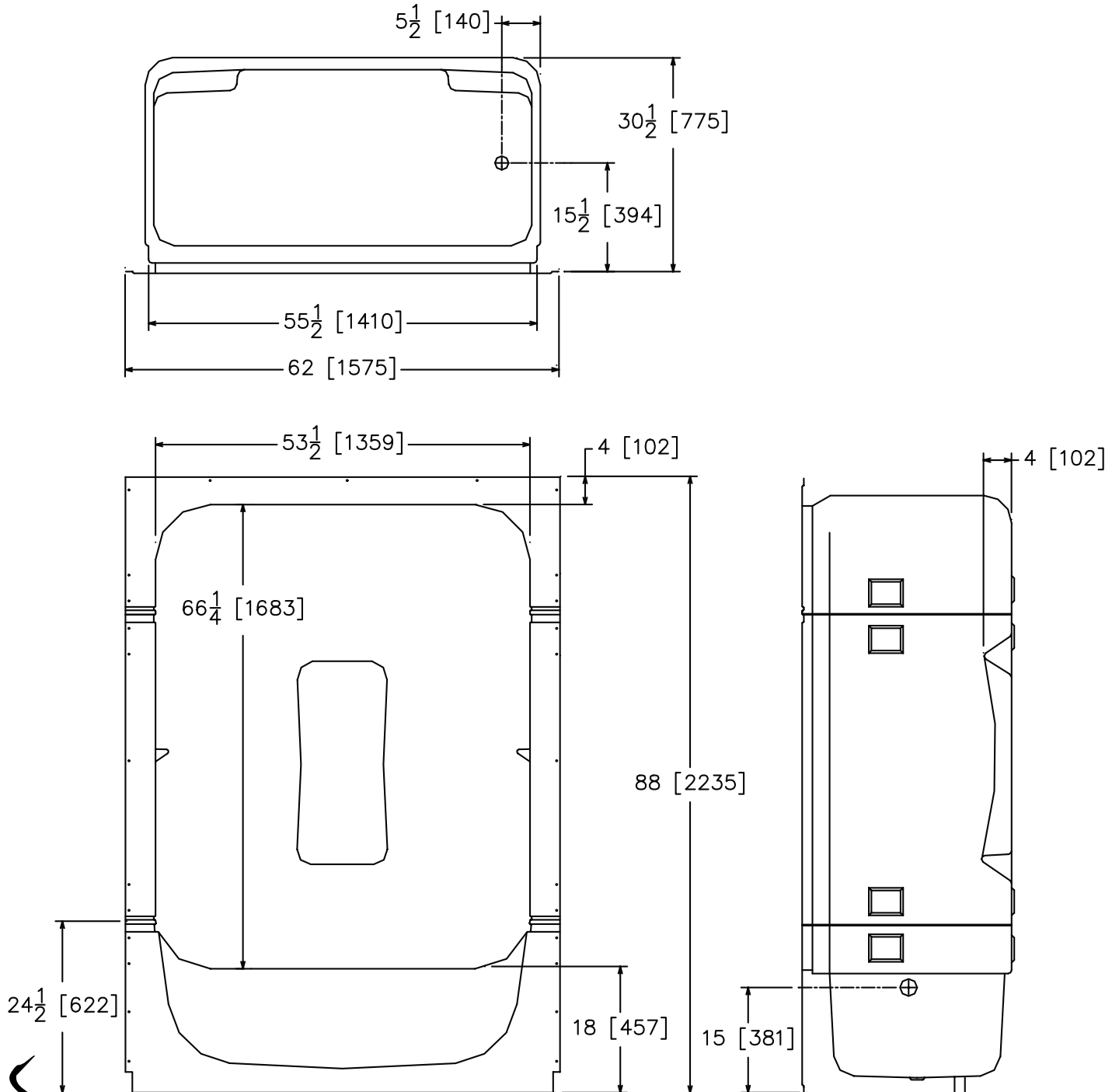
The unit is thermoformed from a solid color Lucite XL® high gloss acrylic sheet into a one piece unit, then cut into three sections allowing each section to fit through a 26" doorway. The unit is re-assembled using the FIAT Fushion System. This unit is reinforced on the back with a composite matrix which has a backside fire rating of "A" and a flame spread of 25. The shower models are pre-drilled to accept a 2" shower drain (supplied by others).



SECTIONAL BATHING SUITE

A 6031.21

Sectional Bathing Suite Cast Acrylic Modular Tub/Shower



IMPORTANT: Roughing-in dimensions may vary 1/2" and are subject to change or cancellation without prior notice.
No responsibility is assumed for use of superseded or voided leaflets.

CR/PL© 12/02 Printed in U.S.A