

FIAT
PRODUCTS LTD.

Model MS-306

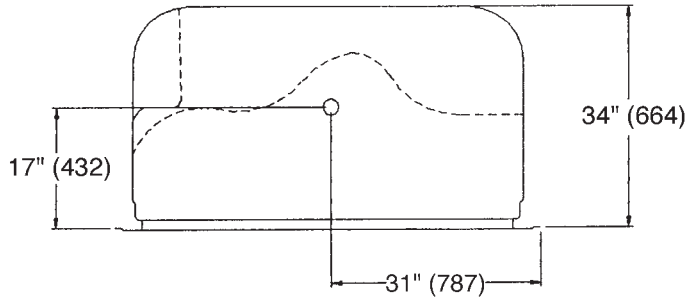
Measures 62" x 34" x 88½" (1575 x 864 x 2248)



FEATURES:

- integrally molded recliner seat
- integrally molded shelf and soap dish
- 1" (25 mm) screw flange for easy fastening to studs
- bottom of flange notched to accommodate sill plate

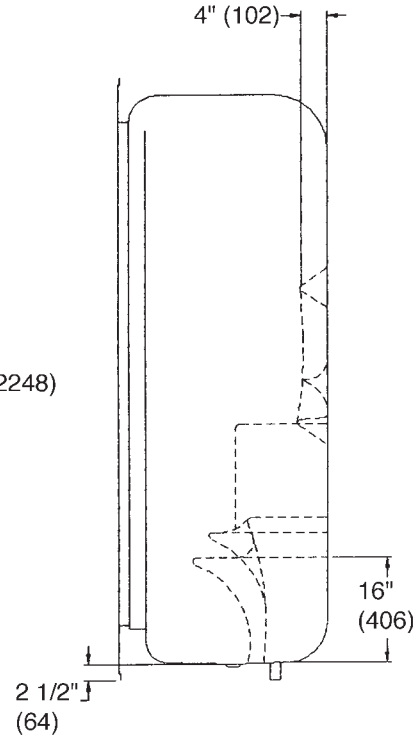
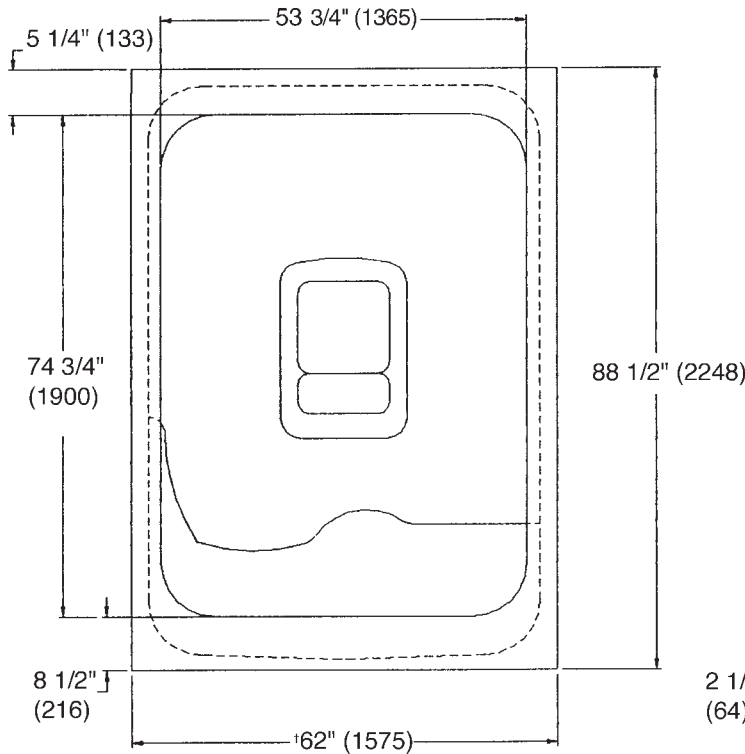
Quality for Life



Measures 62" x 34" x 88½"
(1575 x 864 x 2248)

† This dimension includes 1" (25 mm) screw flange each side.
Recess required is 2" less than overall dimension indicated.

DIMENSIONS MAY VARY
+/-1/4"(6mm) AND ARE
SUBJECT TO REVISION



Available Options: • Steam package (-S): with generator, control, steam head and SD57 door in chrome or gold finish • SD56 series tempered glass sliding door, clear or obscure design, in chrome or gold finish • SD57 series aluminum steam door enclosure with clear glass, in chrome or gold finish (-SD package must be specified at time of ordering) • Model 1002/1021 waterproof canopy light package – CSA approved (for field installation) • ABS shower drain and strainer • White and colours

General:

The modular showers shall be manufactured by FIAT Products Ltd. The units shall be thermoformed from continuous cast, cross linked acrylic sheet into a one-piece seamless unit with smooth rounded corners and reinforced in back with fibreglass and polyester resin which has been further treated with a flame retardent additive. All FIAT acrylic units meet or exceed flame and

smoke standards as outlined in the National Building Code of Canada. All grab bars meet or exceed ASTM standards. Modular showers shall be pre-drilled for drain fitting connection (supplied by others). Vertical flanges shall be pre-drilled to facilitate to attaching to studs.

Important:

Dimensions may vary plus or minus 1/4" (6 mm) and are subject to revision. Specifications are subject to change without notice. Unless otherwise specified, CSA approval has been obtained wherever required. All products must be installed in accordance with installation instructions provided. Failure to do so may invalidate warranty at manufacturer's discretion.

Warranty:

Fiat Products Ltd. warrants to the purchaser of FIAT Bathware Products that each unit is free from defects in material and workmanship, under normal use for a period of 5 years on regular acrylic units, 3 years on steam suites, and one year on doors. Fully detailed warranty card and installation manual are supplied with each unit.

