



EconoMiser One BigFoot™ 31888

Elongated Front, RelaxedHeight™, 12" [305 mm] Rough-in, Two Piece Toilet



Features

- Environmentally Friendly
- High Efficiency 1.1 gpf / 4.0 lpf Flush
- Qualifies for Many Water District Rebate Programs
- RelaxedHeight™ 16-5/8" [422 mm]
- Powerful and Quiet EcoFlush™ Pressure Assist Flushing Technology
- Qualifies for Two [2] LEED points
- Wider BigFoot™ Base for Excellent Retrofit Installation
- No Tank Sweating or Flapper Leaking
- 12" [305 mm] Rough-in
- 2" [51 mm] Fully Glazed Trapway
- Air Activated, Side Mount, Left Hand, Polished Chrome, Trip Lever for an Easy-Touch Flush
- Available in White, Bone and Biscuit
- Limited Lifetime Warranty



Shown with 8080 "Lift 'n' Clean" toilet seat

Model # Description

31888	Elongated front, RelaxedHeight™ 16-5/8" [422 mm] high, two-piece toilet combination. 12" [305 mm] rough-in. Includes EcoFlush™ pressure assist vessel and side mount, left hand, polished chrome, trip lever. Less toilet seat and supply.
31128	Elongated front, RelaxedHeight™ 16-5/8" [422 mm] high, toilet bowl. 12" [305 mm] rough-in. Less toilet seat.
31612	Tank and lid only with EcoFlush™ pressure assist vessel and side mount, left hand, polished chrome, trip lever. Less supply.

Optional Tanks

31961	Same as 31612, except with right hand trip lever
31625	Same as 31612, except with center push button
31612TP	Same as 31612, except with tamper proof locking lid
31961TP	Same as 31961, except with tamper proof locking lid



31961 Right hand trip lever



31625 Center push button - Single function

ECO|FLUSH

EcoSolutions®
The Green Choice



High Efficiency Toilet
HET

RelaxedHEIGHT™



The Green Building / LEED programs was created to provide contractors, building engineers, developers and architects with incentives or rewards for utilizing energy saving and water conservation products in the construction or renovation of their buildings. The LEED program provides points or credits that can be used to offset elements of the construction that would be debits against the property. Using a 1.6 gpf / 6.0 lpf toilets as the baseline, a HET toilet or HEU urinal that has a minimum average water savings of 20% can earn one (1) LEED point, or a minimum water savings of 32% can earn two (2) LEED points.

This fixture qualifies according to ASME test procedures as a high efficiency toilet (HET) with an average consumption of 1.28 gpf / 4.8 lpf or less with a minimum water savings of 20%.

Specifications

Water Pressure Range: 20 to 80 P.S.I.

Flush System: EcoFlush™ Technology

Water Usage: 1.1 gpf / 4.0 lpf

Water Surface Area: 12-1/4" x 8-3/4"
[311mm x 222mm]

Trap Diameter: 2" [51mm]

Water Seal: 2-1/2" [64mm]

Shipping Cubes:

31128 Bowl: 4.0 f³ [.12 m³]

31612 Tank: 2.5 f³ [.07 m³]

Shipping Weight:

31128 Bowl: 50 lbs [23 kg]

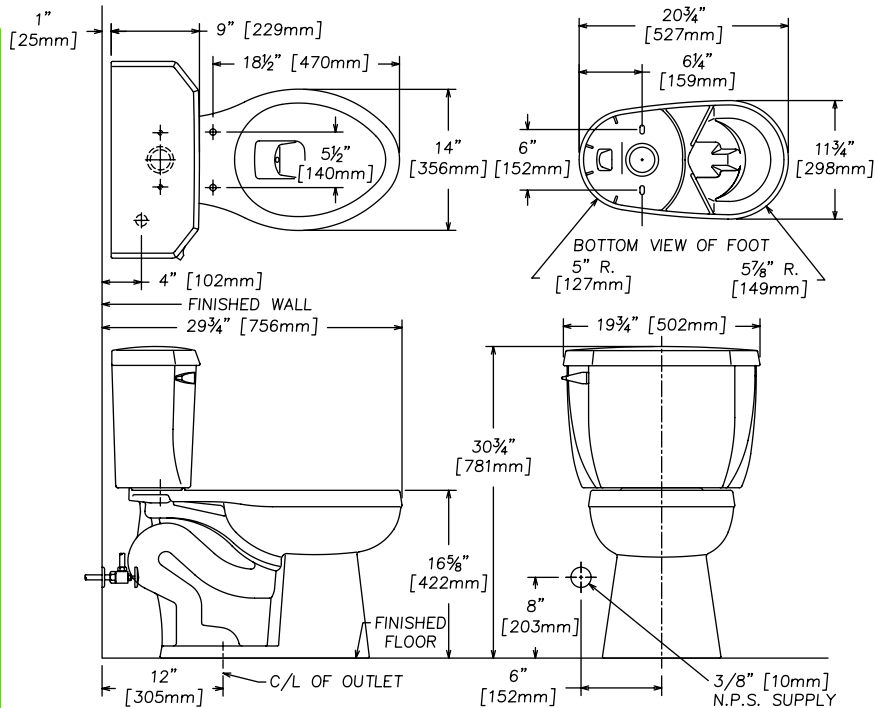
31612 Tank: 42 lbs [19 kg]

Warranty:

Vitreous China - Limited Lifetime

Vessel - Ten Year Limited

Parts - One Year Limited



IMPORTANT: These dimensions are nominal and may vary within the range of tolerances established by ASME Standard A 112.19.2. Contact your local building code for approved barrier free measurements.

Features and Upgrades



P030217 Left Hand Trip Lever
P030218 Right Hand Trip Lever
P030214 Push Button
High Efficiency 1.1 gpf / 4.0 lpf pressure assist vessel. Save up to 40% more water than conventional toilets.



P030391 Center Push Button
Single Function
Available in Polished Chrome [068], Polished Brass [070], Satin Nickel [094] and Oil Rubbed Bronze [097] finishes.



P030379
Right hand trip lever
Available in Polished Chrome [068], Polished Brass [070], Satin Nickel [094] and Oil Rubbed Bronze [097] finishes.



P030378
Left hand trip lever
Available in Polished Chrome [068], Polished Brass [070], Satin Nickel [094] and Oil Rubbed Bronze [097] finishes.



8080
Elongated "Lift 'n' Clean" toilet seat. Seat components can be removed for easier cleaning.

Customer Service United States
41 Cairns Road
Mansfield, OH 44903
Email: customerservice@cranep plumbing.com

Customer Service Canada
15 Crane Ave.
Stratford, ON N5A 6T3
Email: sales@cranep plumbing.com

www.cranep plumbing.com

www.cranep plumbing.ca