



EconoMiser One BigFoot™ 31884

Round Front, 12" [305 mm]
Rough-in, Two Piece Toilet



Features

- Environmentally Friendly
- High Efficiency 1.1 gpf / 4.0 lpf Flush
- Qualifies for Many Water District Rebate Programs
- Powerful and Quiet EcoFlush™ Pressure Assist Flushing Technology
- Qualifies for Two [2] LEED Points
- Wider BigFoot™ Base for Excellent Retrofit Installation
- No Tank Sweating or Flapper Leaking
- 12" [305 mm] Rough-in
- 2" [51 mm] Fully Glazed Trapway
- Air Activated, Left Hand, Polished Chrome, Trip Lever for an Easy-Touch Flush
- Available in White, Bone and Biscuit
- Limited Lifetime Warranty



Shown with 8085 "Lift 'n' Clean" toilet seat

Model

Description

31884	Round front, two-piece toilet combination. 12" [305 mm] rough-in. Includes EcoFlush™ pressure assist vessel and side mount, left hand, polished chrome, trip lever. Less toilet seat and supply.
31124	Round front, toilet bowl 12" [305 mm] rough-in. Less toilet seat.
31612	Tank and lid only with EcoFlush™ pressure assist vessel and side mount, left-hand, polished chrome, trip lever. Less supply.

Optional Tanks

31961	Same as 31612, except with right hand trip lever
31625	Same as 31612, except with center push button
31612TP	Same as 31612, except with tamper proof locking lid
31961TP	Same as 31961, except with tamper proof locking lid



31961 Right hand trip lever



31625 Center push button

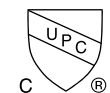
The Green Building / LEED programs was created to provide contractors, building engineers, developers and architects with incentives or rewards for utilizing energy saving and water conservation products in the construction or renovation of their buildings. The LEED program provides points or credits that can be used to offset elements of the construction that would be debits against the property. Using a 1.6 gpf / 6.0 lpf toilets as the baseline, a HET toilet or HEU urinal that has a minimum average water savings of 20% can earn one [1] LEED point, or a minimum water savings of 32% can earn two [2] LEED points.

ECO|FLUSH™

EcoSolutions®
The Green Choice



High Efficiency Toilet
HET



This fixture qualifies according to ASME test procedures as a high efficiency toilet (HET) with an average consumption of 1.28 gpf / 4.8 lpf or less with a minimum water savings of 20%.

Specifications

Water Pressure Range: 20 to 80 P.S.I.

Flush System: EcoFlush™ Technology

Water Usage: 1.1 gpf / 4.0 lpf or 1.6 gpf / 6.0 lpf

Water Surface Area: 11" x 9-3/4"

[279mm x 248mm]

Trap Diameter: 2" [51mm]

Water Seal: 2-3/4" [70mm]

Shipping Cubes:

31124 Bowl: 3.3 f³ [.10 m³]

31612 Tank: 2.5 f³ [.07 m³]

Shipping Weight:

31124 Bowl: 44 lbs [20 kg]

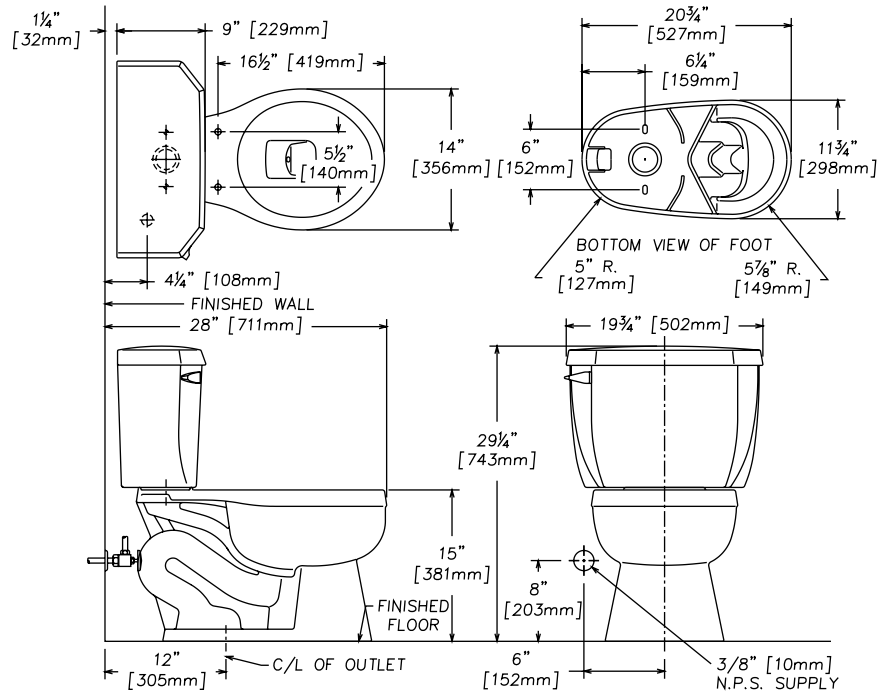
31612 Tank: 42 lbs [19 kg]

Warranty:

Vitreous China - Limited Lifetime

Vessel - Ten Year Limited

Parts - One Year Limited



IMPORTANT: These dimensions are nominal and may vary within the range of tolerances established by ASME Standard A 112.19.2.

Features and Upgrades



B8104 Pressure assist vessel
P030217 Left Hand Trip Lever
P030218 Right Hand Trip Lever
P030214 Push Button
 High Efficiency 1.1 gpf / 4.0 lpf flush. Save up to 40% more water than conventional toilets.



P030391
Center push button
 Available in Polished Chrome [068], Polished Brass [070], Satin Nickel [094] and Oil Rubbed Bronze [097] finishes.



P030379
Right hand trip lever
 Available in Polished Chrome [068], Polished Brass [070], Satin Nickel [094] and Oil Rubbed Bronze [097] finishes.



P030378
Left hand trip lever
 Available in Polished Chrome [068], Polished Brass [070], Satin Nickel [094] and Oil Rubbed Bronze [097] finishes.



8085
Round "Lift 'n' Clean" toilet seat. Seat components can be removed for easier cleaning.

Customer Service United States
 41 Cairns Road
 Mansfield, OH 44903
 Email: customerservice@cranepumbing.com

Customer Service Canada
 15 Crane Ave.
 Stratford, ON N5A 6T3
 Email: sales@cranepumbing.ca

www.cranepumbing.com

www.cranepumbing.ca