



**10" [254] High Low Consumption  
Closet Combination**  
Vitreous China

**FEATURES**

• **3811 Baby Bowl™**

**Bowl:** 3210 Baby Bowl™ (1.6 gpf / 6.0 lpf), 10" [254] high, elongated rim, vitreous china, siphon action, with bolt caps.

**Tank:** 3227 Baby Bowl Tank™ vitreous china tank and cover with flushvalve, float valve with backflow preventer and color coordinated trip lever.

• **3811K Baby Bowl™**

**Bowl:** 3210 Baby Bowl™ (1.6 gpf / 6.0 lpf), 10" [254] high, elongated rim, vitreous china, siphon action, with bolt caps. Supplied with solid plastic elongated seat for Baby Bowl™.

**Tank:** 3227 Baby Bowl Tank™ vitreous china tank and cover with flushvalve, float valve with backflow preventer and color coordinated trip lever.

**Seat:** Solid plastic elongated seat for Baby Bowl™.

**Supply:**

**Color:**

**NOTES**

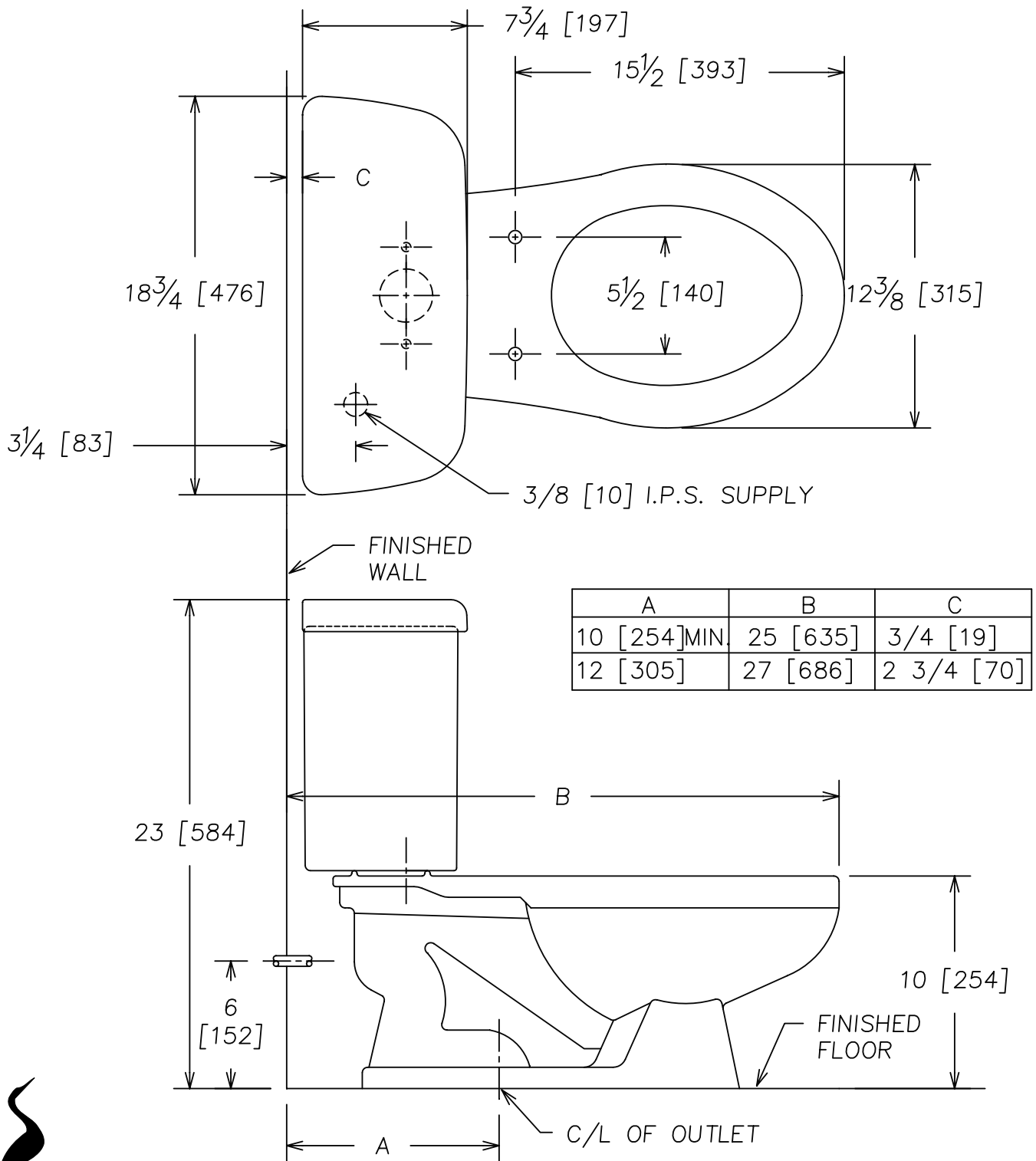
- Fixture conforms to ANSI/ASME A112.19.2M and CSA B-45 standards.
- Fully glazed trapway.
- Also available with right hand trip lever model number 3229

**WATER ECONOMY FACTS**

Average Gallons Per Flush	20 PSI	50 PSI	80 PSI
3811 Elongated Rim (gpf)	1.53	1.53	1.60
3811 Elongated Rim (lpf)	5.78	5.78	6.05
TRAPWAY.....	1 3/4" [44]		
WATER SURFACE.....	11" [279] x 8 1/4" [210]		
WATER SEAL.....	2 7/16" [62]		



10" [254] High Low Consumption Combination



**IMPORTANT:** Roughing-in dimensions may vary 1/8" [13] and are subject to change or cancellation without prior notice. No responsibility is assumed for use of superseded or voided leaflets.