

**ATLANTA™ 20" X 17" OVAL
DROP-IN LAVATORY**

Product Features:

- Long lasting, acid resisting, enameled steel construction
- Concealed front overflow
- Convenient soap depressions
- Raised ledge minimizes backsplash
- Includes mounting brackets for easy installation
- Shipping weight: 9 lbs.

1319V 4" (102mm) faucet centers

Nominal Dimensions:

508 x 432 x 165mm
(20" x 17" x 6½")

Bowl Sizes:

400mm (15¾") wide
283mm (11⅛") front to back
165mm (6½") deep

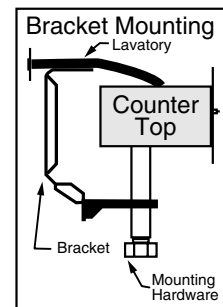
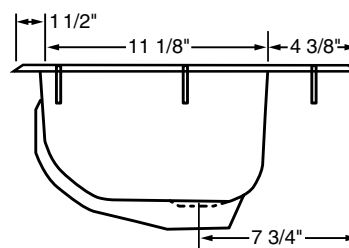
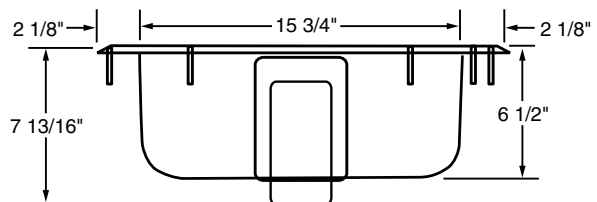
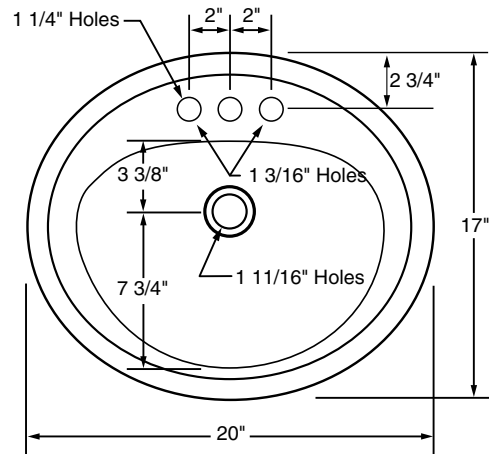
Compliance Certifications –

Meets or Exceeds the Following Specifications:

- ASME A112.19.4M for Enameled Steel Plumbing Fixtures
- IAPMO (UPC)

To Be Specified:

- Color:
- Faucet:
- Faucet Finish:
- Supplies:
- 1-1/4" Trap:



• When installed so top of sink is 876mm (34½") from finished floor. **MEETS THE AMERICANS WITH DISABILITIES ACT GUIDELINES AND ANSI A117.1 ACCESSIBLE AND USEABLE BUILDINGS AND FACILITIES – CHECK LOCAL CODES.**

IMPORTANT: Dimensions of fixtures are nominal and may vary within the range of tolerances established by ANSI Standard A112.19.4.