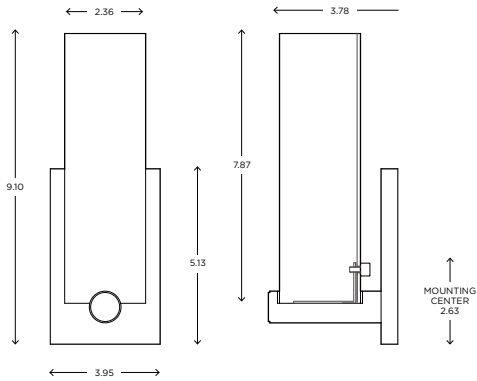


# Clik 1

ADA | CUSTOM OPTIONS



The absolute purity of form defines Clik. Its shiny opal glass appears to float effortlessly above its minimalist structure. Every detail is attended to here. Nothing that is not needed is present. It is available in two formats each communicating purity of form.

## DIMENSIONS

9.10"H x 3.95"W x 3.78"P

## LAMPING / VOLTAGE

- [1] 60w Max Incandescent T10 Medium Base
- [1] 18w Max Fluorescent CFL GX24q-2 Base
- [1] LED Unit 3000K

## FINISH

Polished Nickel, Brushed Nickel, Chrome

## DIFFUSER

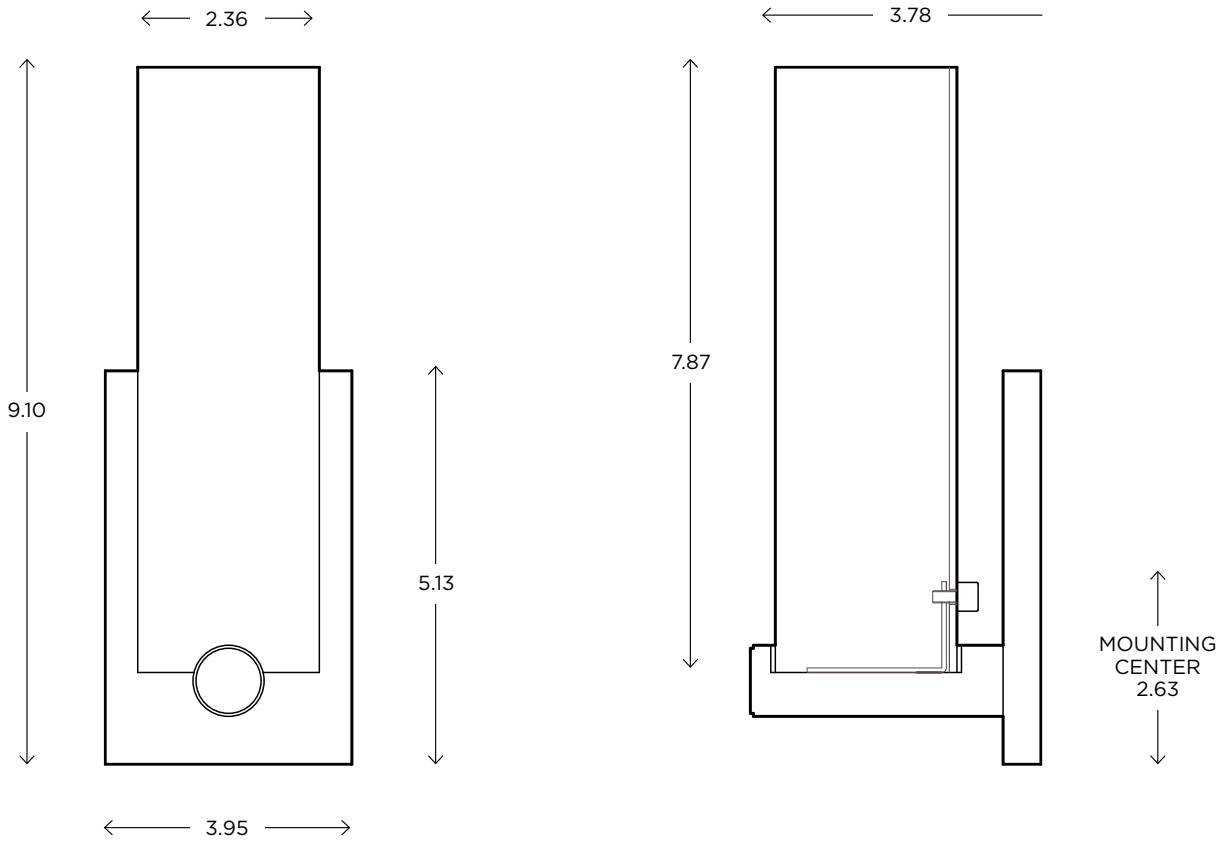
Shiny Opal Glass

Customize this fixture to your specific needs



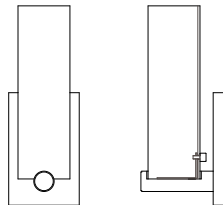
# Clik 1

ADA | CUSTOM OPTIONS



**MODEL**

CLIK SCNCE // CLK1



**DIMENSIONS**

Height: 9.10  
Width: 3.95  
Projection: 3.78

**FIXTURE TYPE**

ADA Scnce / A

**DIFFUSER**

Shiny Opal Glass / SO

**FINISH**

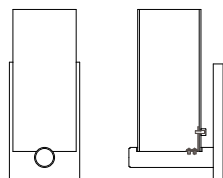
Polished Nickel / PN  
Brushed Nickel / BN  
Chrome / CH

**LAMPING / VOLTAGE**

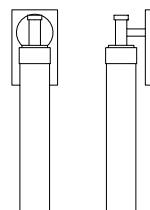
FLUORESCENT / FL  
[1] CFL 18W GX24q-2 120V  
  
INCANDESCENT / INC  
[1] 60W T10 Medium Base 120V  
  
LED / LED  
[1] 3000K 120V

**RELATED PRODUCTS**

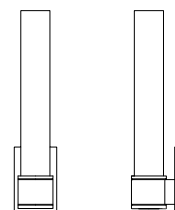
CLIK SCNCE // CLK2  
ADA



CIRC SCNCE // CIR1  
ADA



STUDIO SCNCE // STU1  
ADA



PETAL PENDANT // PET1



**Ayre Architectural Lighting**  
14 Bristol Drive, Unit B  
South Easton, MA 02375

**Tel 508.205.0545**  
Toll Free 877.722.AYRE  
Fax 508.205.0548

[ayrelight.com](http://ayrelight.com)