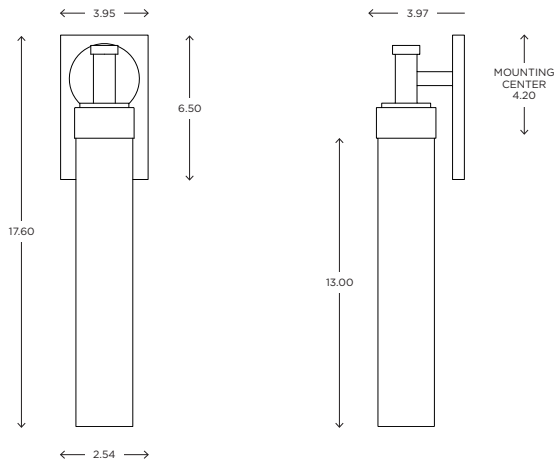


Circ

ADA | CUSTOM OPTIONS



The Circ is a powerfully proportioned sconce. Slightly oversized, it makes a clear design statement about the refinement of form. It is an exceptionally well executed sconce.

DIMENSIONS

17.60"H x 3.95"W x 3.97"P

LAMPING / VOLTAGE

[1] 60w Max Incandescent T10 Medium Base

[1] 24w Max Fluorescent CFL 2G11 Base

[1] LED Unit 3000K

FINISH

Polished Nickel, Brushed Nickel, Chrome

DIFFUSER

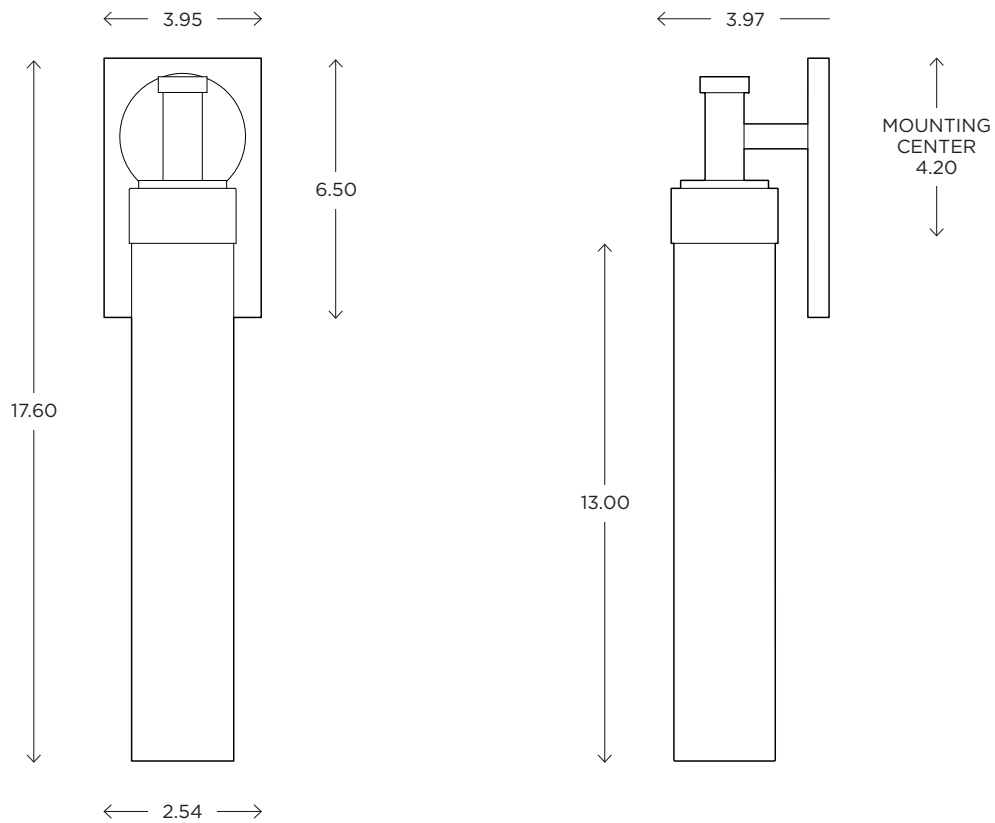
Shiny Opal Glass

Customize this fixture to your specific needs



Circ

ADA | CUSTOM OPTIONS

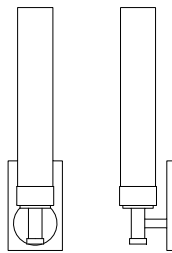


Fixture can be mounted facing UP or DOWN



MODEL

CIRC SCONCE // CIR1



DIMENSIONS

Height: 17.60
Width: 3.95
Projection: 3.97

FIXTURE TYPE

ADA Sconce / A

DIFFUSER

Shiny Opal Glass / SO

FINISH

Polished Nickel / PN
Brushed Nickel / BN
Chrome / CH

LAMPING / VOLTAGE

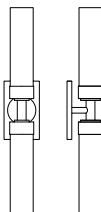
FLUORESCENT / FL
[1] FT 24W 2G11 120V

INCANDESCENT / INC
[1] 60W T10 Medium Base 120V

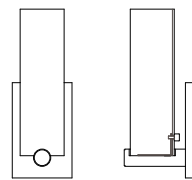
LED / LED
[1] 3000K 120V

RELATED PRODUCTS

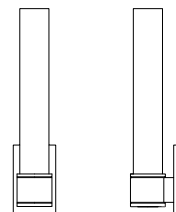
CIRC SCONCE // CIR2
ADA



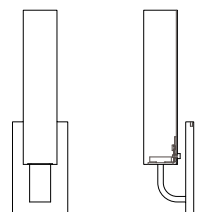
CLIK SCONCE // CLK1
ADA



STUDIO SCONCE // STU1
ADA



REFLEX SCONCE // REF1
ADA



Ayre Architectural Lighting
14 Bristol Drive, Unit B
South Easton, MA 02375

Tel 508.205.0545
Toll Free 877.722.AYRE
Fax 508.205.0548

ayrelight.com