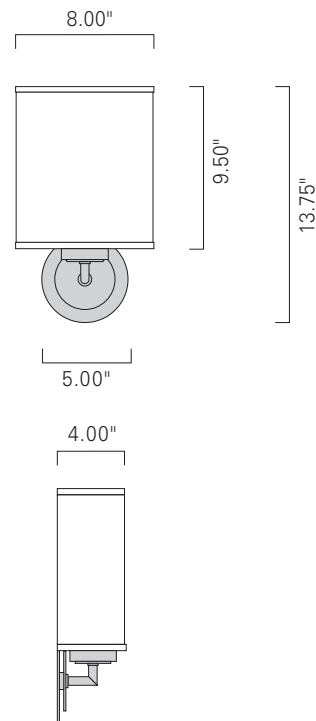


Product Name **Columbus Circle Single Sconce**

Model Number **COL1**



Columbus Circle Single Sconce COL1
Polishe Nickel +
Brushed Nickel / PNBN



Product Name / Model / Dimensions			Mounting Options	Diffuser Options	Finish Options	Lamping Options
Columbus Circle Single Sconce / COL1			Standard Wall Mount / WM	Standard Cream Linen Shade / CS Optional Custom Color Acrylic	Standard AB, PB, SB, PBSB, SBPB Premium BN, PN BNPN, BNBL, PNBN	Standard Incandescent / IN (1) 60W max candelabra Optional Fluorescent / FL (1) CFTR 26W GX24q-3 120v
Height	Width	Projection				
13.75"	8.00"	4.00"				
Catalog Page 29						

The City Series ADA products are available in a variety of styles and finishes. All have flame retardant shades.