

Stellar®

Solutions For Education Facilities
and Entertainment Venues



innovative solutions



Custom 286 with wood reveal
Forest Hills Performing Arts Center
Grand Rapids, MI



Stellar[®] is an icon of performance and aesthetics



Stellar gives architects a highly-customizable, stylish and tough-performing solution for auditoriums, theatres, lecture halls and sports venues.

Beneath its elegant exterior is a rock-solid frame that is time-tested to withstand decades of use. Several unique back profiles, from a contemporary round back style, to a more traditional square back, offer distinctive aesthetics to complement any architectural styling. A broad selection of components, rich wood treatments, end standards, and cushion contours provide a cost-effective approach to creating nearly endless design possibilities.

Enhance the personality of your venue with **Stellar**, a chair that will comfort patrons, while enhancing their learning or entertainment experience.

Features:

- Widths from 19" to 23"
- Steel inner back and seat frame available on most models
- One piece cast iron standards
- Seat number area embossed for smooth finish
- Also available without embossing for unnumbered seats
- Serpentine springs for comfort and cushion shift resistance
- Automatic self-rise, three-quarter fold seat for easier entry and exit
- Selection of cast iron, wood, laminate or upholstered aisle treatments
- Wide variety of standard or custom colors
- Wide range of upholstery fabrics and patterns
- Back panels available in fabric, plastic or rich wood veneers
- A.D.A. compliant

versatile performers



Stellar 226
Crystal Cathedral
Garden Grove, CA



Stellar® is available in five distinctive styles



By choosing from a variety of seats, backs, aisle treatments, armrests and options, architects and designers can create the ideal seating solution for virtually any installation.

Stellar Plastic Back

Square or round plastic outer-back panel offers both strength and flexibility.
Models 220, 224, 230, 224 Outdoor, 230 Outdoor



Stellar Upholstered Back

Padded upholstered outer back for comfort and good looks.
Model 217



Stellar Wood Back

Wood outer-back panel provides a rich, warm and elegant look.
Models 216, 226, 270, 280, 286



Stellar Classic

Styling reminiscent of a bygone era.
Models 206VR, 206



Stellar Planetarium

Headrest and elongated back for optimal celestial viewing.
Models 306, 306A, 306B



crowd pleasers

Stellar 220
Zeeland High School
Zeeland, MI



Stellar® Plastic And Upholstered Backs



The plastic outer-back provides added durability and a slim-line profile that is ideal for performing arts centers, fixed lecture halls and sporting venues.

Stellar 220

The back of the **Stellar 220** consists of 1¼" or 2" polyurethane foam over a compound-curved, steel inner panel. Shaped for comfort and full back support, it is ideal for many applications.



Stellar 224

The same features found in the **Stellar 220**, with an additional 2" higher back for added comfort and support.



Stellar 220/224 Outdoor

The same features found in the **Stellar 220/224**, with e-coated metal parts and marine-grade vinyl upholstery for added durability under all types of weather. The 224 also offers an additional 2" higher back for added comfort and support. Special stitching is added to keep foam dry.



Stellar 230

The 230 incorporates the high rounded back of the **Spirit®** for an additional aesthetic choice. Constructed with high durability plastic inner-outer back.



Stellar 217

Offers a padded upholstered outer back. All fasteners are concealed for a clean appearance. Contour-cut dual-density foam padding provides a firm yet supportive solution.



artistic inspiration

Stellar 216
Meyerhoff Symphony Hall
Baltimore, MD



Stellar® Wood Back



Stellar's wood back option enhances any venue with its natural elegance.

Stellar 216

Features a crisp, rectilinear wood outer back that provides a smooth, horizontal plane, and the appearance of one, continuous row of seating.



Stellar 226

Provides added support through its dual density foam along the top of the chair back. Foam is also shaped to provide lumbar support.



Stellar 270

Offers a 32" high tapered-profile back. The chair back is richly upholstered with 2" of polyurethane foam featuring a contemporary horizontal design line.



Stellar 280

Features a smooth, contoured radius that repeats softly along each row for a distinctive and sophisticated aesthetic. Concealed fasteners attach the 18" radius wood back panel enhancing the chair's elegance.



Stellar 286

Designed to add ambience to auditoriums, performing art centers and luxury suites. Available in a choice of a 2" or 3" thick back foam with a rounded appearance on a 34" radius wood back.



remembering the past

Stellar®
Classics



Capture the past with elegant styling reminiscent of a bygone era.

Stellar 206VR

Features a rich wood contoured Victorian reveal with an upholstered insert panel.



Stellar 206

Early 1900 design elements include ornate aisle treatments, contoured wood backs and elegant upholstery.



Stellar 206
Paramount Theatre
Oakland, CA

stargazers

Stellar®
Planetarium



Stellar's three planetarium designs feature a headrest for optimal support during celestial viewing and an elongated, adjustable back with dense foam padding. The back adjusts to 8 different reclining positions within a 23 to 34° pitch.

Stellar 306

Seat back incorporates a full-width, integrated headrest.



Stellar 306A

Features a separate rectangular shaped headrest.



Stellar 306B

Features a tapered profiled back and separate trapezoid-shaped headrest.



Stellar 306A
Roger B. Chaffee Planetarium
Grand Rapids, MI

options

A wide variety of options are available to customize any installation including: end standards, armrests, aisle lighting, tablet arms, power and data, movable chairs, wood and upholstered seat bottoms, number and letter plates and book holders. **Stellar®** is designed for floor, riser or beam mount installations.



Armrests

Choose between wood or plastic. Three-inch wide, deluxe plastic armrest is available on aisle ends for maximum elbowroom. Optional armrests feature drink holders that cradle 16 to 46 ounce cups. Plastic armrests are saturated in color and feature a textured, non-slip surface. Wood armrests come in seven standard wood finishes.



Power and data sources

Cabling is routed through raceway with two separate channels mounted on the chair standard below the seat. Access to power and data is along the raceway but between the seats for ease of use. U.L. listed.



Aisle lights

Five integral lighting options are offered. The style of lighting unit varies to match the end standard. Row identification can also be provided on certain aisle light covers. Available with incandescent, mini-incandescent and LED lamps. Type C not available with LED lamps.



Removable chairs

Stellar offers flexibility by providing sled based chairs to create movable, individual or connected groupings of two or three chairs.



Number, letter and donor plates

Available in a variety of shapes and finishes. Plates are attached with either a rivet or adhesive.



Book holder

Mounts to the seat bottom for space-saving storage.

Communion cup holder

Mounts to the back of the middle standard. Holds 2 communion cups, pencil and envelopes.

Rear mount cup holder

Mounts to the back of the middle standard.



Folding tablet arms

Tablet arms fold smoothly out of the way and incorporate a durable laminated writing surface over a plywood core, and burnished edge. Choose from three sizes: standard 128 sq. inches (shown), oversized 155 sq. inches and laptop 248 sq. inches. Meets Life Safety code (NFPA 101) and International Building Code (IBC2009).



Mounting options

Floor, riser and beam mounting options are available. Beam mounting can be straight or in curved radius from 8'.



Seat bottom treatments

All **Stellar**® models are available with painted steel, fully upholstered or wood seat bottoms.



A.D.A. compliance

Stellar is designed to meet all the accessibility and compliance standards of the Americans with Disabilities Act (A.D.A.). All **Stellar** A.D.A. chairs offer a hinged armrest to provide ease of access and transfer.

End standards

Available in a variety of wood, metal, plastic or upholstered end standards to suit every need, style and application. A variety of colors and finishes are offered. Styles are available for floor, riser or beam mount installation.



- 136** Clean flush appearance capable of withstanding severe wear and tear.
- Flush cast iron end available in 7 standard colors
 - Floor or riser mounted
 - Optional ADA swing-arm accessibility
 - Optional aisle light, type E
 - Not for tablet arm



- 160** Tapered end treatment, which accepts fabric, or laminate inserts. Provided with metal frame for durability.
- Metal frame placed on cast iron standard
 - Floor, riser or beam mounted
 - Optional aisle light, type C or E
 - Adaptable to tablet arm, type E aisle light only



- 165** Tapered, fully upholstered and padded end treatment with a soft rounded appearance.
- Padded, upholstered metal frame placed over cast iron standard
 - Floor, riser or beam mounted
 - Optional aisle light, type E
 - Not for tablet arm



- 225/250** Rectangular end treatment, which accepts fabric, or laminate inserts. Provided with metal edges for durability.
- Metal frame placed on cast iron standard
 - Floor, riser or beam mounted
 - Optional aisle light, type C and E only available with 250
 - 225 – designed for tablet arm
 - 250 – not for tablet arm



- 280** Rounded edges and corners soften this contemporary wood end.
- 7 options of stained wood and custom stains
 - Thick wood end surrounds cast iron standard
 - Floor or beam mounted
 - Optional aisle light, type D or E
 - Not for tablet arm



- 350** Rounded corner, square edge wood end treatment.
- 7 options of stained wood and custom stains
 - Floor, riser or beam mounted
 - Optional aisle light, type D or E
 - Adaptable to tablet arm



- 351** Rounded edges and corners soften this contemporary wood end.
- 7 options of stained wood and custom stains
 - Wood end on cast iron standard
 - Floor, riser or beam mounted
 - Optional aisle light, type D or E
 - Adaptable to tablet arm



- 560** Tapered end treatment covered in laminate.
- A variety of standard laminate options and custom laminates
 - Floor, riser or beam mounted
 - Optional aisle light, type E
 - Adaptable to tablet arm



- 134 Victorian** Richly curved and sculptured end treatment reminiscent of the Victorian era.
- Cast iron end available in 7 standard colors with optional accent highlights
 - Floor mounted
 - Optional aisle light, specific to Victorian
 - Armrest aisle light
 - Not for tablet arm



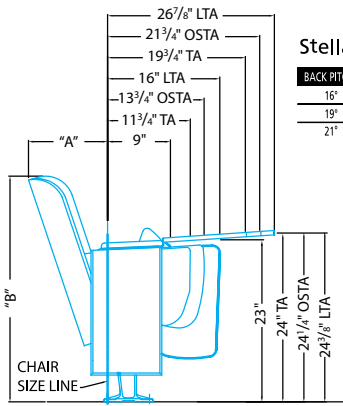
- 502 Saenger** Richly sculptured end treatment from the historic theater tradition.
- Cast iron end available in 7 standard colors with optional accent highlights
 - Floor mounted
 - Optional aisle light, specific to Saenger
 - Armrest aisle light
 - Not for tablet arm



- 4B Fox** Rich three dimensional sculpturing reflects the heritage of the historic theater era.
- Cast iron end available in 7 standard colors with optional accent highlights
 - Floor mounted
 - Optional aisle light, specific to Fox
 - Not for tablet arm

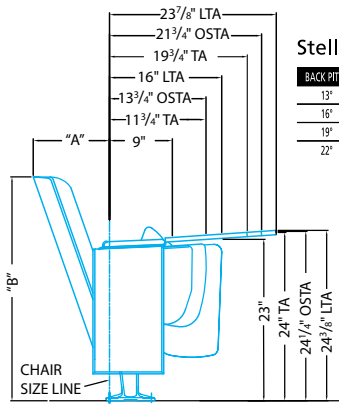


- Bodiform®** A classic cast iron standard that defined the ambiance of auditoriums and performing arts centers across North America for decades.
- One piece cast iron standard
 - Floor mount
 - Accent highlights optional
 - Optional aisle light, specific to Bodiform
 - Not for tablet arm



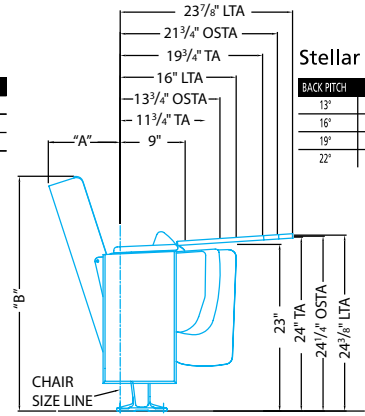
Stellar® 206

BACK PITCH	DIM. "A"	DIM. "B"
16°	10 3/4"	32 1/2"
19°	11 3/8"	32 1/8"
21°	12"	31 3/4"



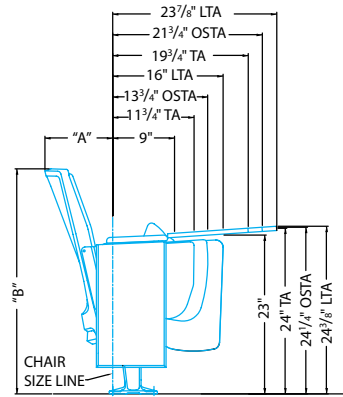
Stellar 216

BACK PITCH	DIM. "A"	DIM. "B"
13°	8 1/8"	33"
16°	9 1/2"	32 3/8"
19°	10 1/8"	31 7/8"
22°	11 1/8"	31 1/8"



Stellar 217

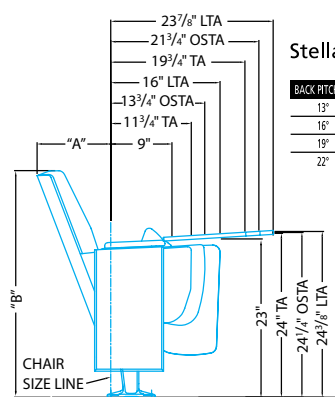
BACK PITCH	DIM. "A"	DIM. "B"
13°	8 1/8"	33 1/8"
16°	9 1/8"	32 1/8"
19°	10"	32 1/2"
22°	10 3/4"	32 1/4"



Stellar 220 & 224

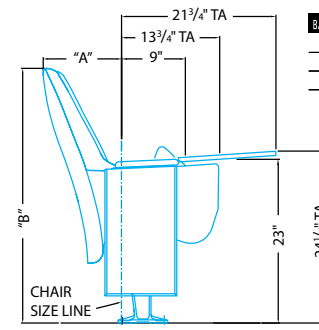
220-2			224-2		
BACK PITCH	DIM. "A"	DIM. "B"	DIM. "A"	DIM. "B"	DIM. "B"
13°	8"	33 1/2"	8 1/4"	35 1/2"	
16°	9"	33 1/8"	9 3/8"	35 1/8"	
19°	10"	32 3/4"	10 3/8"	34 5/8"	
22°	10 3/4"	32 1/4"	11 3/8"	34 1/8"	

220-1			224-1		
BACK PITCH	DIM. "A"	DIM. "B"	DIM. "A"	DIM. "B"	DIM. "B"
13°	7"	33 1/2"	7 1/4"	35 1/2"	
16°	8"	33"	8 3/8"	35"	
19°	8 1/2"	32 3/4"	9 1/4"	34 3/8"	
22°	9 1/4"	32 1/4"	10 3/8"	34 1/8"	



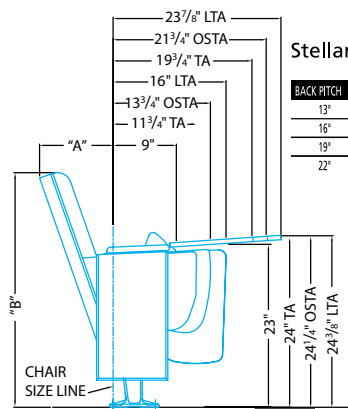
Stellar 226

BACK PITCH	DIM. "A"	DIM. "B"
13°	8 1/4"	34 1/2"
16°	9 1/2"	34 1/8"
19°	10 1/8"	33 1/4"
22°	11 1/8"	32 1/2"



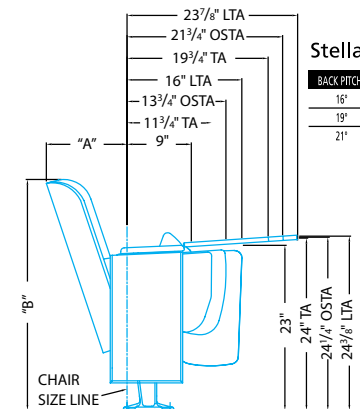
Stellar 230

BACK PITCH	DIM. "A"	DIM. "B"
13°	8 1/8"	36 1/4"
16°	10"	36 3/8"
19°	11 1/8"	35 7/8"
22°	12 1/4"	35 1/4"



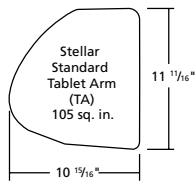
Stellar 270

BACK PITCH	DIM. "A"	DIM. "B"
13°	8 1/2"	33 3/4"
16°	9 3/4"	33 1/2"
19°	10 1/2"	32 3/4"
22°	11 3/4"	31 7/8"

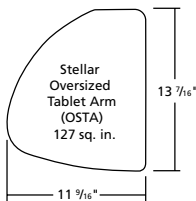


Stellar 280

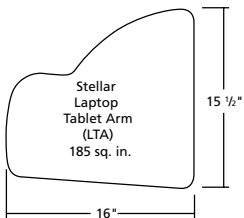
BACK PITCH	DIM. "A"	DIM. "B"
16°	10 1/4"	32 1/2"
19°	11 3/8"	32 1/8"
21°	12"	31 1/4"



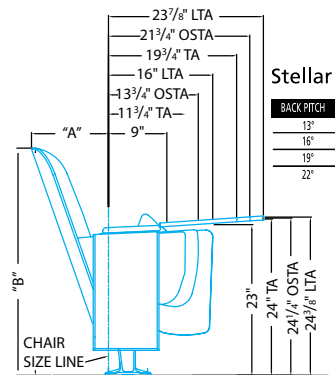
Stellar Standard Tablet Arm (TA)
105 sq. in.



Stellar Oversized Tablet Arm (OSTA)
127 sq. in.

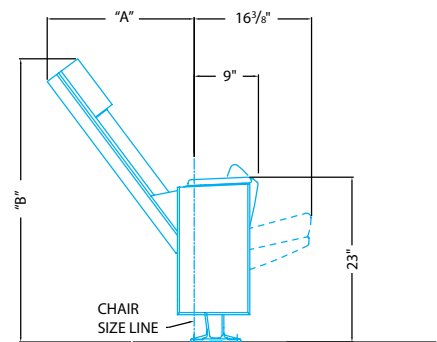


Stellar Laptop Tablet Arm (LTA)
185 sq. in.



Stellar 286

BACK PITCH	DIM. "A"	DIM. "B"
13°	9 3/4"	36"
16°	10 1/2"	35 1/4"
19°	12"	35"
22°	13 1/4"	34"



Stellar 306, 306A, 306B

BACK PITCH	DIM. "A"	DIM. "B"
23.5°	14 3/4"	40 3/8"
27.5°	16 1/8"	39 1/2"
29.2°	17 1/4"	39"
31.2°	18 1/4"	38 3/8"
33.1°	19"	37 3/4"
34.0°	19 3/4"	37 1/2"
36.8°	20 1/2"	36 3/8"
39.7°	21 1/4"	35 1/4"

Since 1886, American Seating has set the standard for product design, durability and comfort. Today, we remain committed to exceeding the expectations of our customers. Our achievements serve as the platform for new and innovative products that continue to be the benchmark of our industry.



A History of Innovative > **SOLUTIONS**

401 American Seating Center
Grand Rapids, MI 49504-4499
Phone 616-732-6600 800-748-0268
FAX 616-732-6401
americanseating.com



This is printed on FSC certified paper.



American Seating, Stellar and Bodiform are registered trademarks of American Seating Co.
Form No. A-STELLAR-10 ©2010 American Seating Company Litho USA



American Seating is committed to lessening our impact on the planet through responsible stewardship of our environment.