

6566

Multi-Purpose Passenger Seating

Optional side-mounted grab handle.

Individually upholstered cushion assemblies are mounted over arched, serpentine springs for long wear and superior comfort. Easy-to-remove upholstery simplifies cleaning and replacement.

Stylized assist grip in the center of the back, facilitates safe and quick exit from the seat behind.

High-strength thermoplastic back panel, recessed for maximum knee clearance. "Wrap-around" design interlocks with aisle trim panels. Integrally molded "bubble" crash pads add durability and safety.

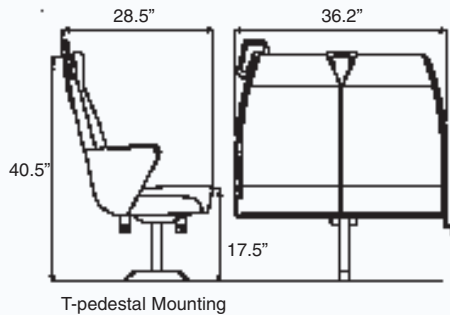
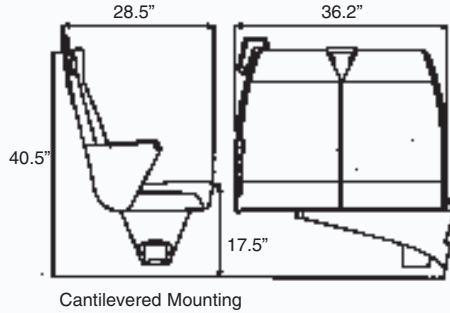
High-strength, fatigue resistant, welded steel frame with durable powder coat finish.

6566

Multi-Purpose Passenger Seating

Deep cushion and firm support provide a contemporary seat with superior comfort and ease of maintenance.

With a wide variety of options, the 6566 can be tailored to meet your specific needs.



Dimensions, options and materials are subject to change without notice.



Also available from:



A wholly owned subsidiary of American Seating

Post Office Box 2310
Orillia, Ontario L3V 6S2 CANADA
(877) 847-3456
FAX (877) 847-3950

Standard Features

- Individually upholstered cushion assemblies are mounted over arched, serpentine springs for long wear and superior comfort. Easy-to-remove upholstery simplifies cleaning and replacement
- High-strength, fatigue resistant, steel frame with durable powder coat finish
- High-strength thermoplastic back panel, recessed for maximum knee clearance. "Wrap-around" design interlocks with aisle trim panels. Integrally molded "bubble" crash pads add durability and safety
- Stylized assist grip in the center of the back, facilitates safe and quick exit from the seat behind



Options

- A variety of coach mounts, including cantilevered and T-pedestal
- Vinyl or fabric upholstery offered in a variety of colors and styles
- Aisle side armrest (pictured)
- Cushions and backs offered in polyurethane or low-smoke/low fire constructions
- Grab handle for upper aisle-side of back (pictured)
- The Model 6566 is 36-7/32" wide. Model 6567 is 35-7/32" wide

Unsurpassed Quality Through Superior Design and Testing

American Seating performs extensive testing in one of the industry's largest and most complete test facilities. This testing, along with our desire for innovation, assures our customers of consistent high quality products. At American Seating, materials and assemblies must continuously meet demanding standards in the following areas:

- Tensile strength
- Color fastness
- Flammability and fatigue resistance
- Vibration
- Impact
- Corrosion and abrasion

