

6484

Multi-Purpose Passenger Seating

Textured molded-color grabrail.

Easily removable seat and back cushion components simplify cleaning and/or replacement.

Individually upholstered bucket style cushions are mounted over arched, serpentine springs for superior comfort and longer wear.

High-strength thermoplastic back panel with recessed area for knee clearance.

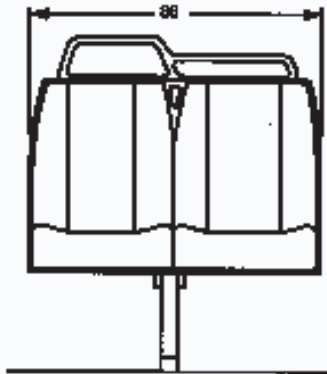
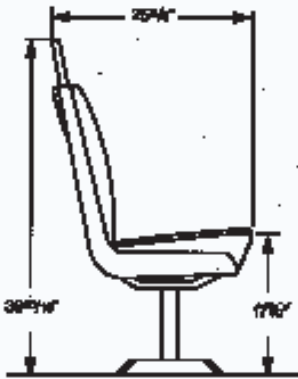
High-strength, fatigue-resistant, welded steel frame with durable, powder coat finish.

6484

Multi-Purpose Passenger Seating

Exclusive features deliver superior comfort, contemporary styling and easy maintenance.

With a wide variety of options, the 6484 can be tailored to meet your specific needs.



Dimensions, options and materials are subject to change without notice.

Standard Features

- Individually upholstered bucket style cushions are mounted over arched, serpentine springs for longer wear and superior comfort
- Easily removable seat and back cushion components simplify cleaning and/or replacement
- High-strength thermoplastic back panel with recessed area for knee clearance and comfort
- Energy-absorbing, textured molded-color grabrail
- High-strength, fatigue-resistant, welded steel frame with durable, powder coat finish



Options

- Cantilevered and T-pedestal coach mounts available
- Full range of fabric or vinyl upholstery
- Stainless steel safety grabrail
- Seat and back cushions offered with polyurethane or low smoke foam
- Model 6484 is 36" wide. Also offered as Model 6485 with a 34" width
- Integrates with A.R.M.™ Securement System for A.D.A. compliance

Unsurpassed Quality Through Superior Design and Testing

American Seating performs extensive testing in one of the industry's largest and most complete test facilities. This testing, along with our desire for innovation, assures our customers of consistent high quality products. At American Seating, materials and assemblies must continuously meet demanding standards in the following areas:

- Tensile strength
- Color fastness
- Flammability and fatigue resistance
- Vibration
- Impact
- Corrosion and abrasion

Also available from:



A wholly owned subsidiary of American Seating

Post Office Box 2310
Orillia, Ontario L3V 6S2 CANADA
(877) 847-3456
FAX (877) 847-3950



401 American Seating Center, Grand Rapids, Michigan 49504
(616) 732-6600 (800) 748-0268 Fax (616) 732-6401
www.americanseating.com www.americanseatingerc.com

© 2005 American Seating Company
is a trademark of American Seating Co.
Form No. TP-6484-05 Litho USA