

Model 6468

Transit and Rail Seating

Patented, energy-absorbing, textured-color grabrail.

Pre-formed, fire-resistant, molded fiberglass shell gives color consistency, maximum strength and minimum weight.

Molded fiberglass inserts with quick release for easy maintenance.

Rivetless attachment of shell to frame eliminates snagging and cracking hazards and facilitates easy shell replacement.

High-strength thermoplastic back with recessed area for knee clearance and patented bubble crash pad for durability, comfort and safety.

High-strength, fatigue-resistant, welded steel frame with durable powder coat paint finish.

Model 6468 Transit Seating

Contemporary design offers superior comfort and durability.

A versatile seat with a variety of patented features and options that can be tailored to suit your specific needs.

Standard Features

- Pre-formed, fire-resistant, molded fiberglass shell gives color consistency, maximum strength and minimum weight
- Molded fiberglass inserts with quick release for easy maintenance
- High-strength thermoplastic back with recessed areas for knee clearance and patented bubble crash pad for durability, comfort and safety
- High-strength, fatigue resistant, welded steel frame with durable powder coat paint finish
- Patented, energy-absorbing, textured-color grabrail
- Rivetless attachment of shell to frame eliminates snagging and cracking hazards and facilitates easy shell replacement

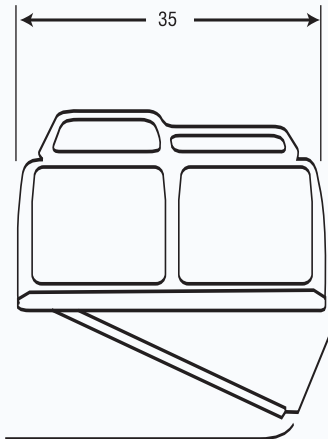
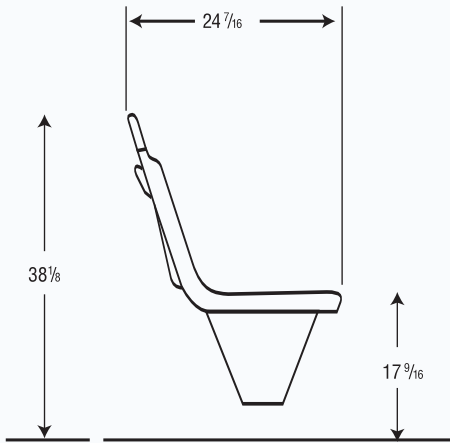
Options

- Variety of coach mounting configurations are available, including cantilever, stainless steel, T-pedestal, carbon steel
- Wide range of standard colors coordinate with virtually any coach interior
- Available in a choice of vandal resistance (VR-50) or cut resistant (CR-50) upholstery insert options. Padded as well as fiberglass inserts are also offered
- Stainless steel and patented energy absorbing thermoplastic grab handles for safety and long service
- A flip-up seat is available to accommodate passengers using mobility aids
- Integrates with the A.R.M.™ Securement System for A.D.A. compliance
- All stainless steel frame and back panel available

Unsurpassed Quality Through Superior Design and Testing

American Seating performs extensive testing in one of the industry's largest and most complete test facilities. This testing, along with our desire for innovation, assures our customers of consistent high quality products. At American Seating, materials and assemblies must continuously meet demanding standards in the following areas:

- tensile strength
- color fastness
- flammability and fatigue resistance
- vibration
- impact
- corrosion and abrasion



Also available from:



A wholly owned subsidiary of American Seating

Post Office Box 2310
Orillia, Ontario L3V 6S2 CANADA
(877) 847-3456
FAX (877) 847-3950



401 American Seating Center, Grand Rapids, Michigan 49504
(616) 732-6600 (800) 748-0268 Fax (616) 732-6401
www.americanseating.com www.americanseatingerc.com