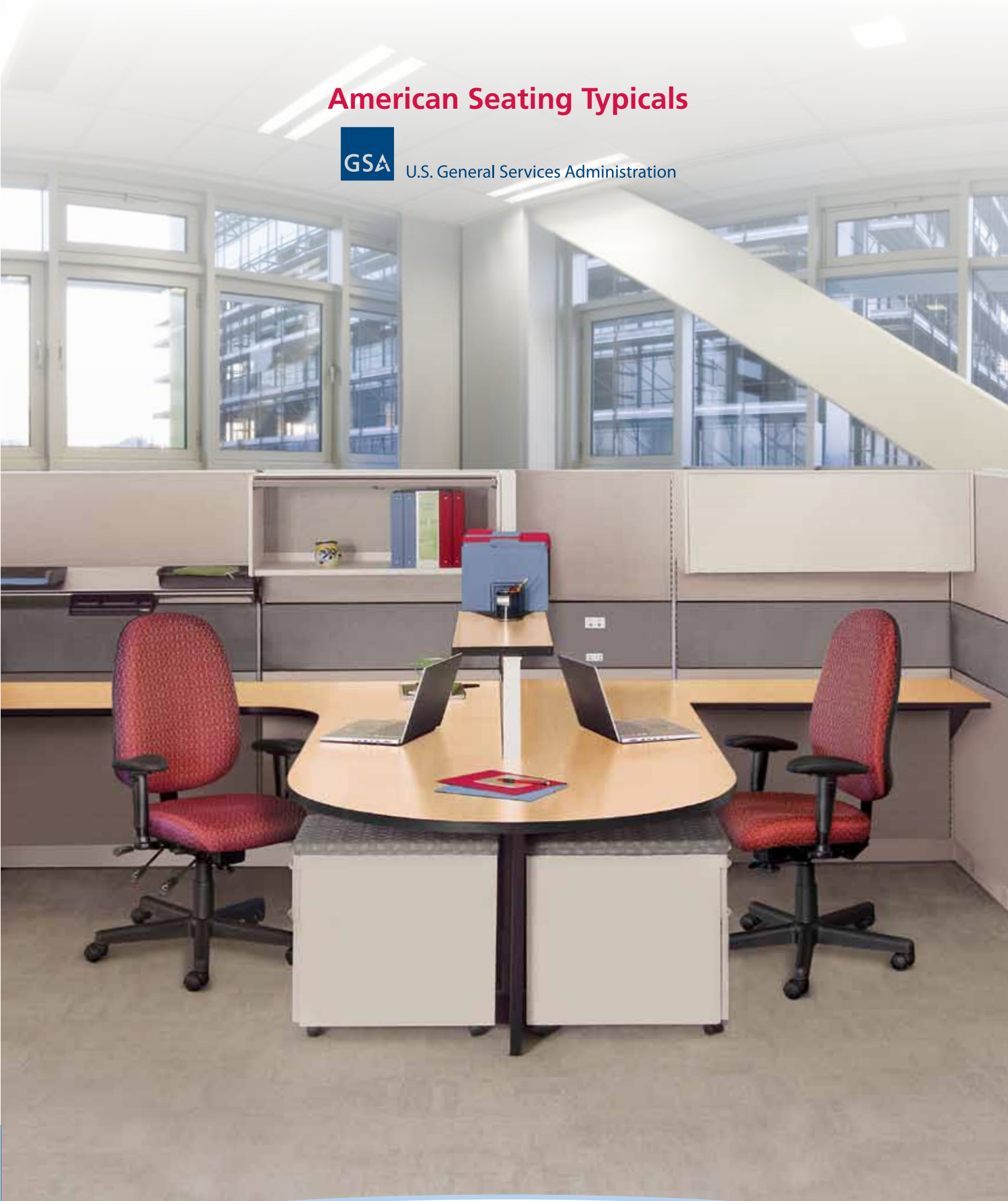


American Seating Typicals

GSA

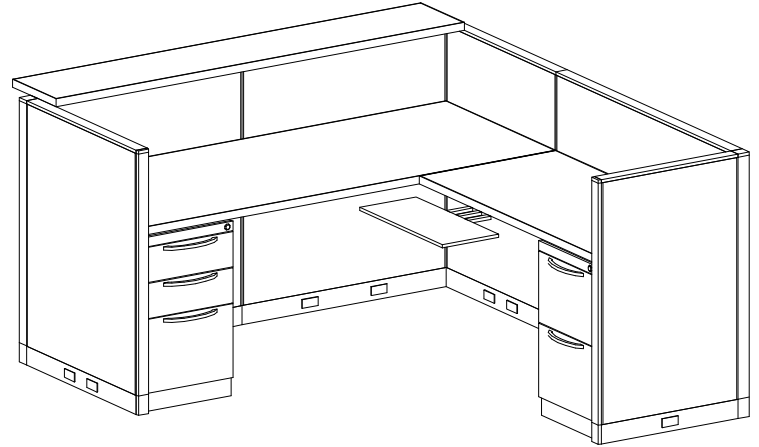
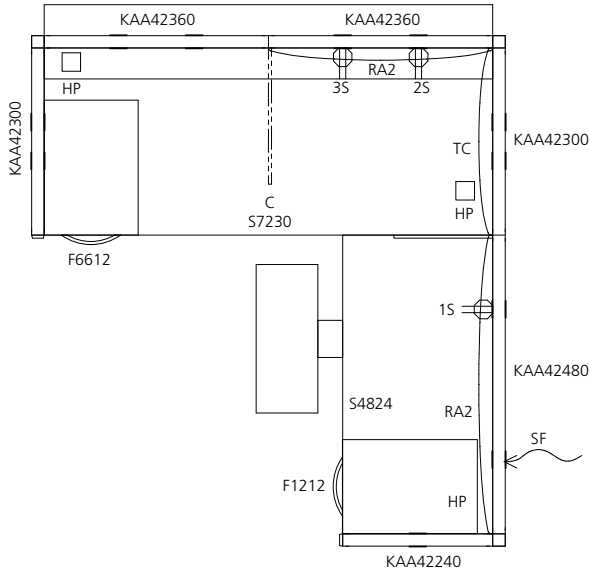
U.S. General Services Administration



Typical No.1

6' X 6'-6"

Essentials Product Reception Station

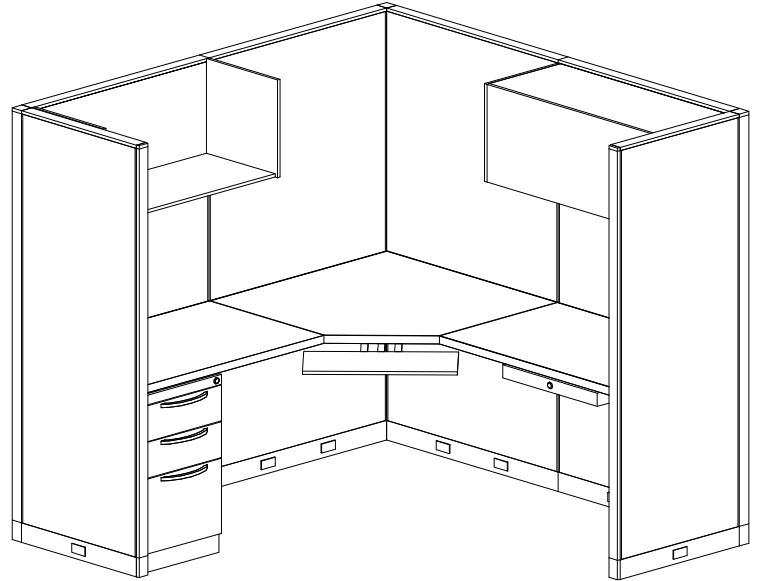
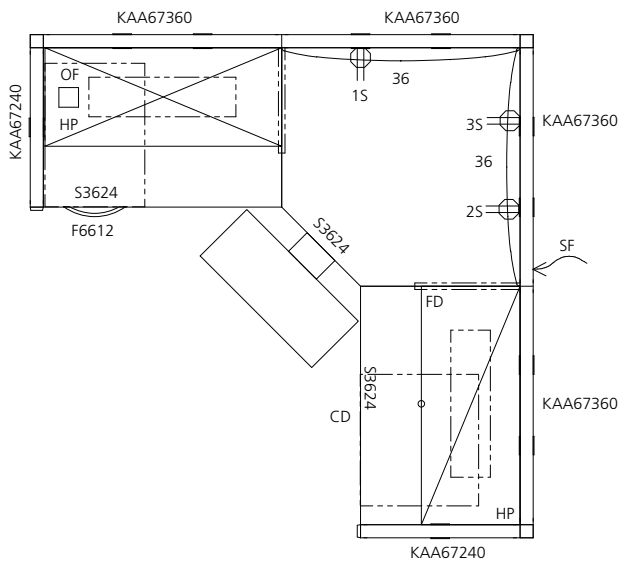


Count	Part #	Description	Sell	Extended Sell
1	DFB1212AA	FLOOR STANDING DRAWER STORAGE 12/12	150.70	150.70
1	DFB6612AA	FLOOR STANDING DRAWER STORAGE 6/6/12	157.04	157.04
1	EOS11SA	POWER OUTLETS W/SAFETY GROUND SGL	6.04	6.04
1	EOS22SA	POWER OUTLETS W/SAFETY GROUND SGL	6.04	6.04
1	EOS33SA	POWER OUTLETS W/SAFETY GROUND SGL	6.04	6.04
1	ERA236A	4C/8W RWY ASSY	42.58	42.58
1	ERA248A	4C/8W RWY ASSY	42.58	42.58
1	ESECO	SIDE ENTRY HARDWIRE PWR CABLE	44.39	44.39
1	ETC0300	4 CIRCUIT/8 WIRE TRANSMISSION CABLE	20.54	20.54
1	HLPL122A	ONE LEFT CANTILEVER FOR 30"D WORK SURFACE	23.86	23.86
1	KAA42240	ACOUSTICAL ACCESS PANEL	141.34	141.34
2	KAA42300	ACOUSTICAL ACCESS PANEL	157.34	314.68
2	KAA42360	ACOUSTICAL ACCESS PANEL	174.86	349.72
1	KAA42480	ACOUSTICAL ACCESS PANEL	206.87	206.87
1	KB2A0	KEYBOARD W/MOUSE PAD STANDARD BLACK	146.47	146.47
3	KCK942APP	CONNECTOR/TRIM KIT	26.27	78.81
2	KCKE42APP	FINISHED END TRIM KIT	26.27	52.54
2	KCKSP00P	STRAIGHT LINE CONNECTOR/TRIM KIT	4.53	9.06
5	NCI	NO COST ITEM		
1	WGR484C00	RECT WORK SURFACE W/LH CANT RADIUS EDGE 48"L X 24"D	86.37	86.37
1	WGR725000	RECT WORK SURFACE W/O SUPPORT RADIUS EDGE 72"L X 30"D	122.01	122.01
1	WGT721HH0	RADIUS EDGE COUNTER SURFACE 72" X 12"	102.68	102.68
2	WHPC	WORK SURFACE HARDWARE PACK PAIR	7.25	14.50
	TOTAL:			2124.86

Typical No.2

6' X 6'

Essentials Product Corner Workstation

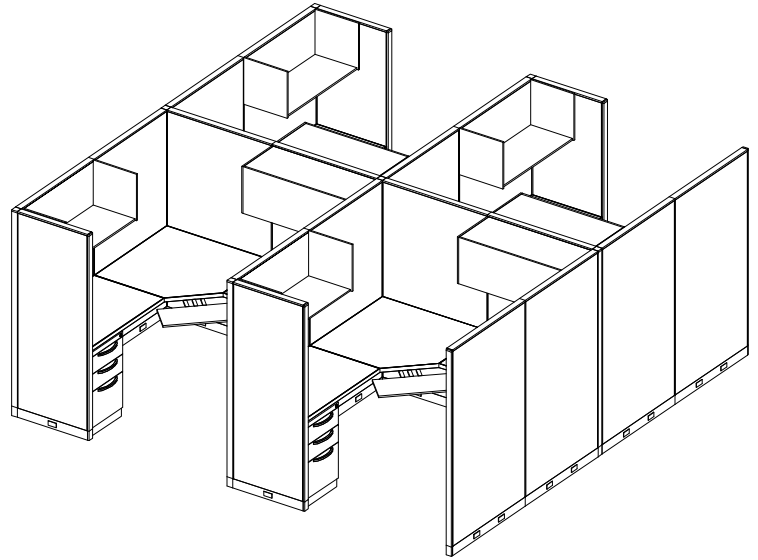
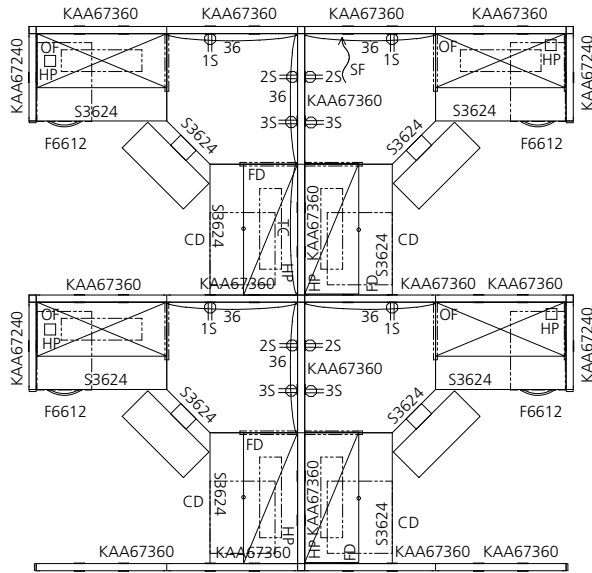


Count	Part #	Description	Sell	Extended Sell
1	AML DFB6612AA	FLOOR STANDING DRAWER STORAGE 6/6/12	157.04	157.04
1	AML EOS11SA	POWER OUTLETS W/SAFETY GROUND SGL	6.04	6.04
1	AML EOS22SA	POWER OUTLETS W/SAFETY GROUND SGL	6.04	6.04
1	AML EOS33SA	POWER OUTLETS W/SAFETY GROUND SGL	6.04	6.04
2	AML ERA236A	4C/8W RWY ASSY	42.58	85.16
1	AML ESECO	SIDE ENTRY HARDWIRE PWR CABLE	44.39	44.39
1	AML FDCS36L	STEEL FLIPPER DOOR CABINET W/LOCK 15"H X 36"W X 15"D	155.23	155.23
1	AML FFCD0	FRAMEWORK FREESTANDING CENTER DRAWER	54.06	54.06
2	AML KAA67240	ACOUSTICAL ACCESS PANEL	195.39	390.78
4	AML KAA67360	ACOUSTICAL ACCESS PANEL	237.07	948.28
1	AML KB2A0	KEYBOARD W/MOUSE PAD STANDARD BLACK	146.47	146.47
3	AML KCK967APP	CONNECTOR/TRIM KIT	32.31	96.93
2	AML KCKE67APP	FINISHED END TRIM KIT	31.41	62.82
2	AML KCKSP00P	STRAIGHT LINE CONNECTOR/TRIM KIT	4.53	9.06
2	AML LTPG241EH	TASKLIGHT STD ELECTRONIC BALLAST BLACK FOR 30",36"	56.78	113.56
5	AML NCI	NO COST ITEM		
1	AML OFS360	OPEN SHELF 15"H X 36"W X 15"D	138.62	138.62
1	AML WGF364CC0	CORNER WORK SURFACE W/SUPPORT RADIUS EDGE 36"W X 24"D	154.62	154.62
1	AML WGR3640C0	RECT WORK SURFACE W/RH CANT RADIUS EDGE 36"L X 24"D	70.67	70.67
1	AML WGR364C00	RECT WORK SURFACE W/LH CANT RADIUS EDGE 36"L X 24"D	70.67	70.67
1	AML WHPC	WORK SURFACE HARDWARE PACK PAIR	7.25	7.25
	Total:			2723.73

Typical No.3

6' X 6'

Essentials Product 4 Bay Corner Workstations

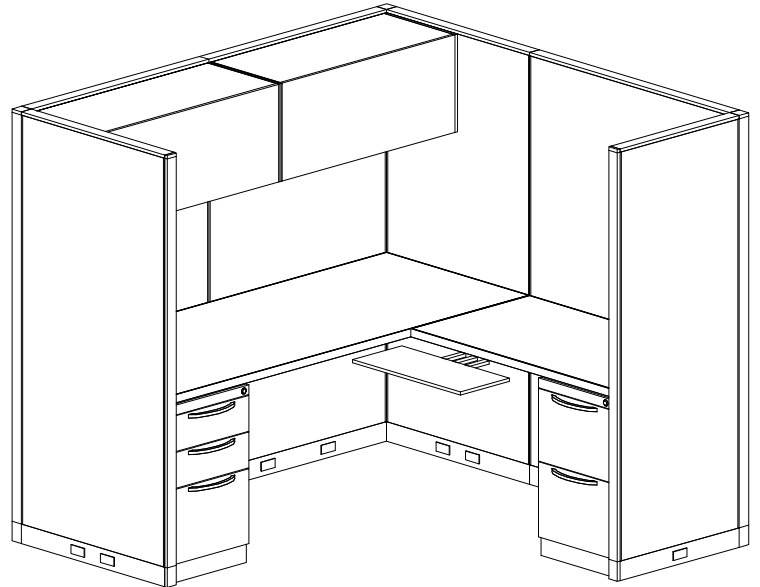
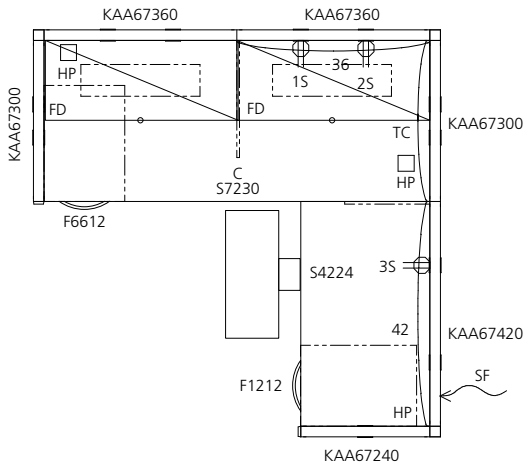


Count	Part #	Description	Sell	Extended Sell
4	DFB6612AA	FLOOR STANDING DRAWER STORAGE 6/6/12	157.04	628.16
4	EOS11SA	BASE DUPLEX RECEPTACLE SAFETY GROUND 1 CIRCUIT 5-15R	6.04	24.16
4	EOS22SA	POWER OUTLETS W/SAFETY GROUND SGL	6.04	24.16
4	EOS33SA	POWER OUTLETS W/SAFETY GROUND SGL	6.04	24.16
6	ERA236A	4 CIRCUIT/8 WIRE RACEWAY ASSY	42.58	255.48
1	ESECO	SIDE ENTRY HARDWIRE PWR CABLE	44.39	44.39
1	ETC0360	4 CIRCUIT/8 WIRE TRANSMISSION CABLE	20.54	20.54
4	FDCS36L	STEEL FLIPPER DOOR CABINET W/LOCK 15"H X 36"W X 15"D	155.23	620.92
4	FFCD0	FRAMEWORK FREESTANDING CENTER DRAWER	54.06	216.24
4	KAA67240	ACOUSTICAL ACCESS PANEL	195.39	781.56
16	KAA67360	ACOUSTICAL ACCESS PANEL	237.07	3793.12
4	KB2A0	KEYBOARD W/MOUSE PAD STANDARD BLACK	146.47	585.88
4	KCK967APP	CONNECTOR/TRIM KIT	32.31	129.24
6	KCKE67APP	FINISHED END TRIM KIT	31.41	188.46
8	KCKSPOOP	STRAIGHT LINE CONNECTOR/TRIM KIT	4.53	36.24
2	KCKT67APP	CONNECTOR/TRIM KIT	34.43	68.86
1	KCKX00AP	CONNECTOR/TRIM KIT	13.29	13.29
7	LTPG241EH	TASKLIGHT STD ELECTRONIC BALLAST BLACK FOR 30", 36"	56.78	397.46
13	NCI	NO COST ITEM		
4	OFS360	OPEN SHELF 15"H X 36"W X 15"D	138.62	554.48
4	WGF364CC0	CORNER WORK SURFACE W/SUPPORT RADIUS EDGE 36"W X 24"D	154.62	618.48
4	WGR3640C0	RECT WORK SURFACE W/RH CANT RADIUS EDGE 36"L X 24"D	70.67	282.68
2	WGR364C00	WORK SURFACE W/LH CANT RADIUS EDGE 36"L X 24"D	92.11	184.22
4	WHPC	WORK SURFACE HARDWARE PACK PAIR	7.25	29.00
	Total:			9662.52

Typical No.4

6' X 6'

Essentials Product L-Shaped Workstation

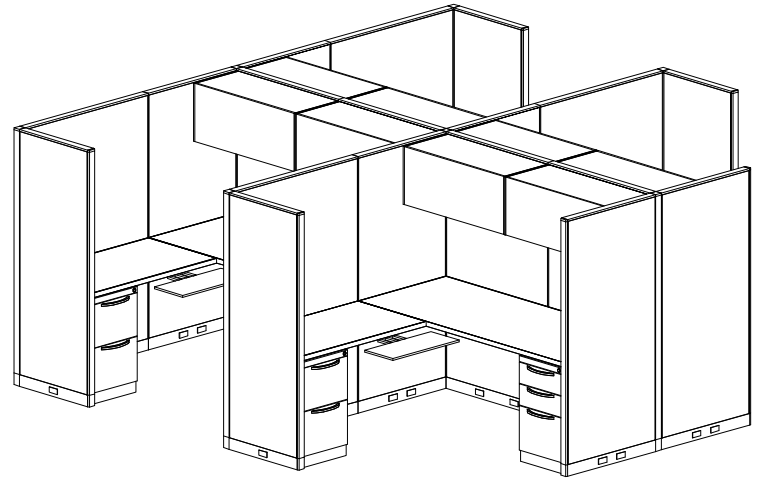
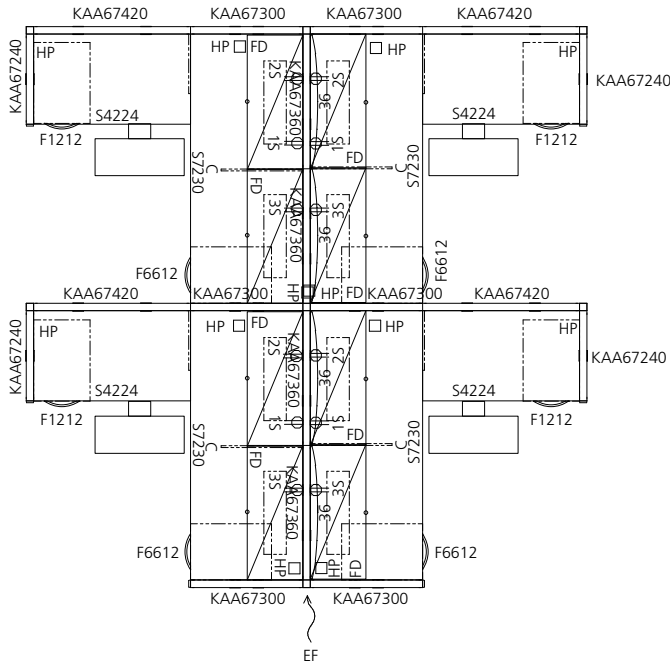


Count	Part #	Description	Sell	Extended Sell
1	DFB1212AA	FLOOR STANDING DRAWER STORAGE 12/12	150.70	150.70
1	DFB6612AA	FLOOR STANDING DRAWER STORAGE 6/6/12	157.04	157.04
1	EOS115A	POWER OUTLETS W/SAFETY GROUND SGL	6.04	6.04
1	EOS225A	POWER OUTLETS W/SAFETY GROUND SGL	6.04	6.04
1	EOS335A	POWER OUTLETS W/SAFETY GROUND SGL	6.04	6.04
1	ERA236A	4C/8W RWY ASSY	42.58	42.58
1	ERA236A	4C/8W RWY ASSY	42.58	42.58
1	ERA242A	4C/8W RWY ASSY	42.58	42.58
1	ESECO	SIDE ENTRY HARDWIRE PWR CABLE	44.39	44.39
1	ETC0300	4 CIRCUIT/8 WIRE TRANSMISSION CABLE	20.54	20.54
2	FDCS36L	STEEL FLIPPER DOOR CABINET W/LOCK 15"H X 36"W X 15"D	155.23	310.46
1	HLPL122A	ONE LEFT CANTILEVER FOR 30"D WORK SURFACE	23.86	23.86
1	KAA67240	ACOUSTICAL ACCESS PANEL	195.39	195.39
2	KAA67300	ACOUSTICAL ACCESS PANEL	217.74	435.48
2	KAA67360	ACOUSTICAL ACCESS PANEL	237.07	474.14
1	KAA67420	ACOUSTICAL ACCESS PANEL	252.17	252.17
1	KB2A0	KEYBOARD W/MOUSE PAD STANDARD BLACK	146.47	146.47
3	KCK967APP	CONNECTOR/TRIM KIT	32.31	96.93
2	KCKE67APP	FINISHED END TRIM KIT	31.41	62.82
2	KCKSP00P	STRAIGHT LINE CONNECTOR/TRIM KIT	4.53	9.06
2	LTPG241EH	TASKLIGHT STD ELECTRONIC BALLAST BLACK FOR 30",36"	56.78	113.56
5	NCI	NO COST ITEM		
1	WGR424C00	RECT WORK SURFACE W/LH CANT RADIUS EDGE 42"L X 24"D	78.52	78.52
1	WGR725000	RECT WORK SURFACE W/O SUPPORT RADIUS EDGE 72"L X 30"D	122.01	122.01
2	WHPC	WORK SURFACE HARDWARE PACK PAIR	7.25	14.50
	Total:			2811.32

Typical No.5

6' X 6'

Essentials Product 4 Bay L-Shaped Workstation

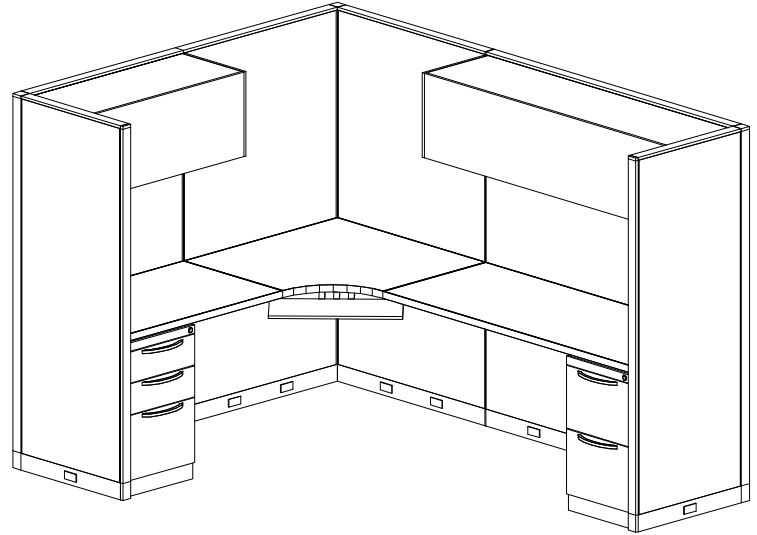
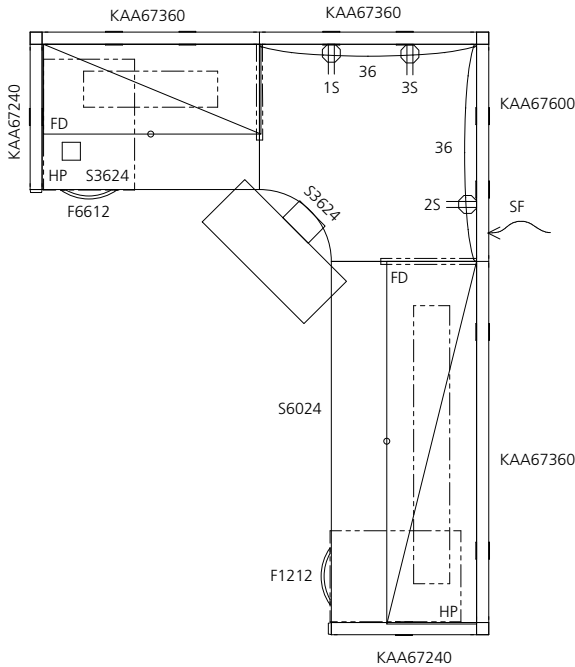


Count	Part #	Description	Sell	Extended Sell
4	DFB1212AA	FLOOR STANDING DRAWER STORAGE 12/12	150.70	602.80
4	DFB6612AA	FLOOR STANDING DRAWER STORAGE 6/6/12	157.04	628.16
1	EEEC0	END ENTRY HARDWIRE POWER CABLE	44.39	44.39
4	EOS11SA	POWER OUTLETS W/SAFETY GROUND SGL	6.04	24.16
4	EOS22SA	POWER OUTLETS W/SAFETY GROUND SGL	6.04	24.16
4	EOS33SA	POWER OUTLETS W/SAFETY GROUND SGL	6.04	24.16
4	ERA236A	4C/8W RWY ASSY	42.58	170.32
8	FDCS36L	STEEL FLIPPER DOOR CABINET W/LOCK 15"H X 36"W X 15"D	155.23	1241.84
4	HLPL122A	ONE LEFT CANTILEVER FOR 30"D WORK SURFACE	23.86	95.44
4	KAA67240	ACOUSTICAL ACCESS PANEL	195.39	781.56
6	KAA67300	ACOUSTICAL ACCESS PANEL	217.74	1306.44
4	KAA67360	ACOUSTICAL ACCESS PANEL	237.07	948.28
4	KAA67420	ACOUSTICAL ACCESS PANEL	252.17	1008.68
4	KB2A0	KEYBOARD W/MOUSE PAD STANDARD BLACK	146.47	585.88
4	KCK967APP	CONNECTOR/TRIM KIT	32.31	129.24
6	KCKE67APP	FINISHED END TRIM KIT	31.41	188.46
6	KCKSP00P	STRAIGHT LINE CONNECTOR/TRIM KIT	4.53	27.18
2	KCKT67APP	CONNECTOR/TRIM KIT	34.43	68.86
1	KCKX00AP	CONNECTOR/TRIM KIT	13.29	13.29
8	LTPG241EH	TASKLIGHT STD ELECTRONIC BALLAST BLACK FOR 30",36"	56.78	454.24
13	NCI	NO COST ITEM		
2	WGR4240C0	RECT WORK SURFACE W/RH CANT RADIUS EDGE 42"L X 24"D	78.52	157.04
2	WGR424C00	RECT WORK SURFACE W/LH CANT RADIUS EDGE 42"L X 24"D	78.52	157.04
4	WGR725000	RECT WORK SURFACE W/O SUPPORT RADIUS EDGE 72"L X 30"D	122.01	488.04
8	WHPC	WORK SURFACE HARDWARE PACK PAIR	7.25	58.00
Total:			9227.66	

Typical No.6

6' X 8'

Essentials Product Corner Workstation

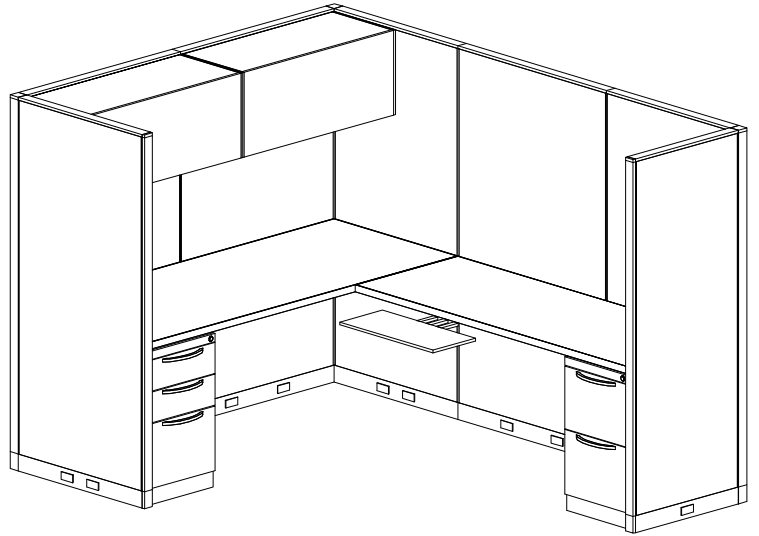
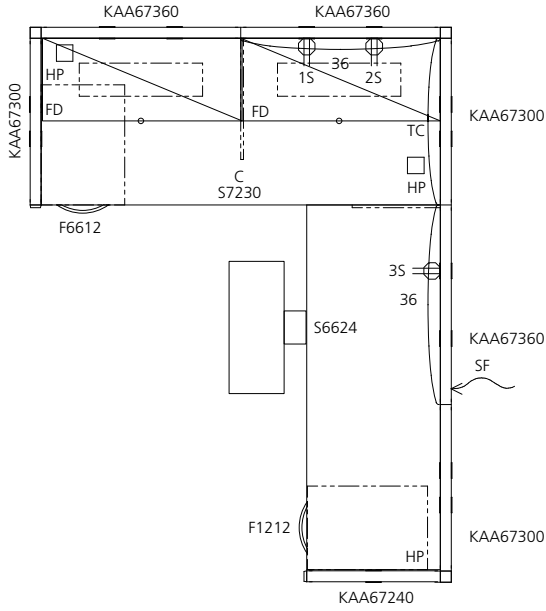


Count	Part #	Description	Sell	Extended Sell
1	DFB1212AA	FLOOR STANDING DRAWER STORAGE 12/12	150.70	150.70
1	DFB6612AA	FLOOR STANDING DRAWER STORAGE 6/6/12	157.04	157.04
1	EOS11SA	POWER OUTLETS W/SAFETY GROUND SGL	6.04	6.04
1	EOS22SA	POWER OUTLETS W/SAFETY GROUND SGL	6.04	6.04
1	EOS33SA	POWER OUTLETS W/SAFETY GROUND SGL	6.04	6.04
2	ERA236A	4C/8W RWVY ASSY	42.58	85.16
1	ESECO	SIDE ENTRY HARDWIRE PWR CABLE	44.39	44.39
1	FDCS36L	STEEL FLIPPER DOOR CABINET W/LOCK 15"H X 36"W X 15"D	155.23	155.23
1	FDCS60L	STEEL FLIPPER DOOR CABINET W/LOCK 15"H X 60"W X 15"D	250.96	250.96
2	KAA67240	ACOUSTICAL ACCESS PANEL	195.39	390.78
3	KAA67360	ACOUSTICAL ACCESS PANEL	237.07	711.21
1	KAA67600	ACOUSTICAL ACCESS PANEL	310.46	310.46
1	KB2A0	KEYBOARD W/MOUSE PAD STANDARD BLACK	146.47	146.47
3	KCK967APP	CONNECTOR/TRIM KIT	32.31	96.93
2	KCKE67APP	FINISHED END TRIM KIT	31.41	62.82
2	KCKSP00P	STRAIGHT LINE CONNECTOR/TRIM KIT	4.53	9.06
1	LTPG241EH	TASKLIGHT STD ELECTRONIC BALLAST BLACK FOR 30", 36"	56.78	56.78
1	LTPG481EH	TASKLIGHT STD ELECTRONIC BALLAST BLACK FOR 60"	65.23	65.23
5	NCI	NO COST ITEM		
1	WGA364CCO	CONCAVE CORNER WORK SURFACE RADIUS EDGE 36"W X 24"D	154.62	154.62
1	WGR3640CO	RECT WORK SURFACE W/RH CANT RADIUS EDGE 36"L X 24"D	70.67	70.67
1	WGR604C00	RECT WORK SURFACE W/LH CANT RADIUS EDGE 60"L X 24"D	123.82	123.82
1	WHPC	WORK SURFACE HARDWARE PACK PAIR	7.25	7.25
	Total:			3067.70

Typical No.7

6' X 8'

Essentials Product L-Shaped Workstation

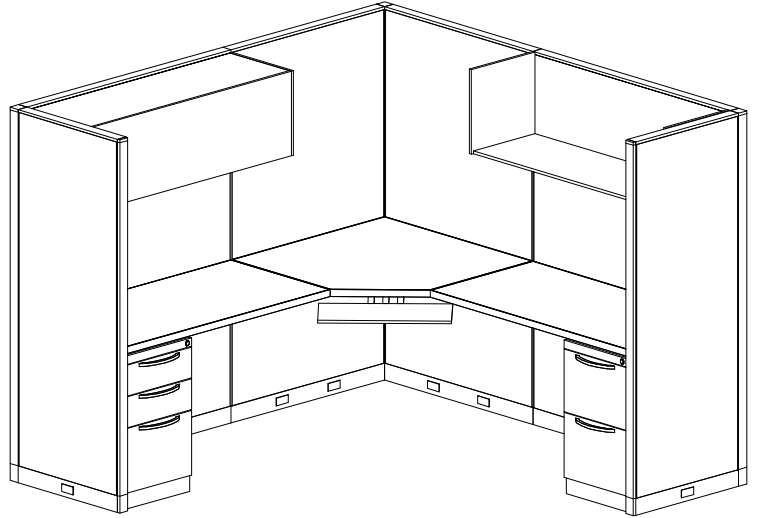
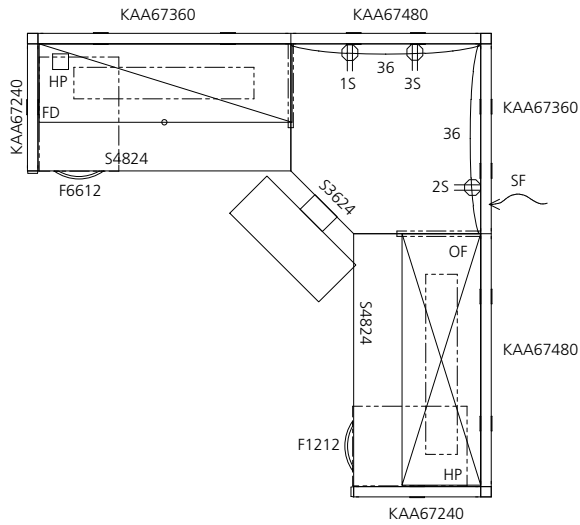


Count	Part #	Description	Sell	Extended Sell
1	DFB1212AA	FLOOR STANDING DRAWER STORAGE 12/12	150.70	150.70
1	DFB6612AA	FLOOR STANDING DRAWER STORAGE 6/6/12	157.04	157.04
1	EOS11SA	POWER OUTLETS W/SAFETY GROUND SGL	6.04	6.04
1	EOS22SA	POWER OUTLETS W/SAFETY GROUND SGL	6.04	6.04
1	EOS33SA	POWER OUTLETS W/SAFETY GROUND SGL	6.04	6.04
2	ERA236A	4C/8W RWY ASSY	42.58	85.16
1	ESECO	SIDE ENTRY HARDWIRE PWR CABLE	44.39	44.39
1	ETC0300	4 CIRCUIT/8 WIRE TRANSMISSION CABLE	20.54	20.54
2	FDCS36L	STEEL FLIPPER DOOR CABINET W/LOCK 15"H X 36"W X 15"D	155.23	310.46
1	HLPL122A	ONE LEFT CANTILEVER FOR 30"D WORK SURFACE	23.86	23.86
1	KAA67240	ACOUSTICAL ACCESS PANEL	195.39	195.39
3	KAA67300	ACOUSTICAL ACCESS PANEL	217.74	653.22
3	KAA67360	ACOUSTICAL ACCESS PANEL	237.07	711.21
1	KB2A0	KEYBOARD W/MOUSE PAD STANDARD BLACK	146.47	146.47
3	KCK967APP	CONNECTOR/TRIM KIT	32.31	96.93
2	KCKE67APP	FINISHED END TRIM KIT	31.41	62.82
3	KCKSP00P	STRAIGHT LINE CONNECTOR/TRIM KIT	4.53	13.59
2	LTPG241EH	TASKLIGHT STD ELECTRONIC BALLAST BLACK FOR 30", 36"	56.78	113.56
5	NCI	NO COST ITEM		
1	WGR664C00	RECT WORK SURFACE W/LH CANT RADIUS EDGE 66"L X 24"D	132.58	132.58
1	WGR725000	RECT WORK SURFACE W/O SUPPORT RADIUS EDGE 72"L X 30"D	122.01	122.01
2	WHPC	WORK SURFACE HARDWARE PACK PAIR	7.25	14.50
Total:				3072.55

Typical No.8

7' X 7'

Essentials Product Corner Workstation

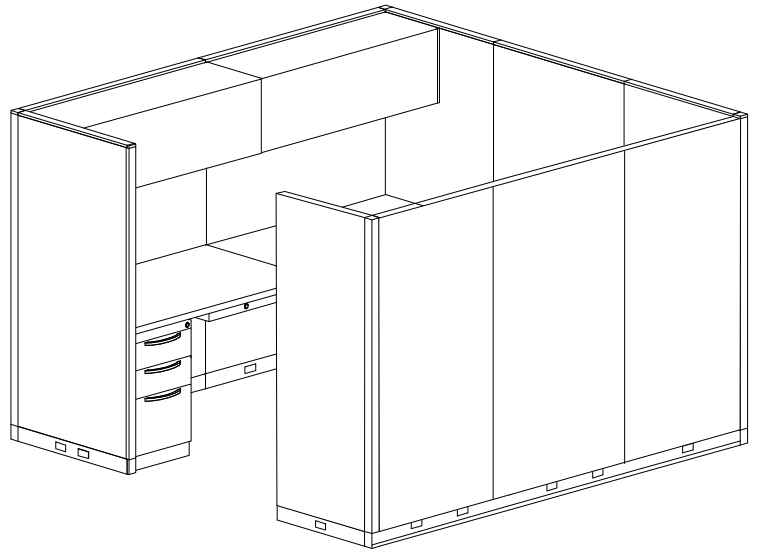
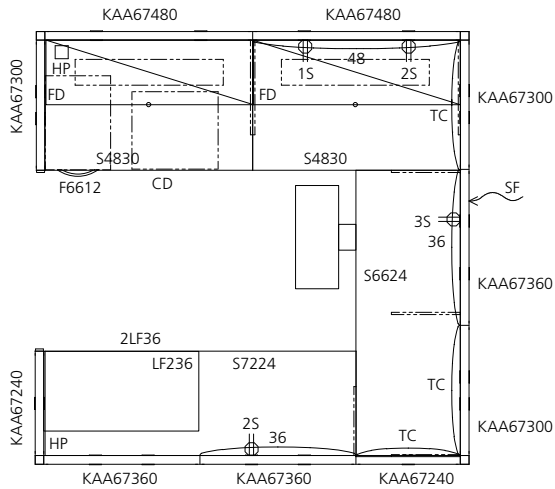


Count	Part #	Description	Sell	Extended Sell
1	DFB1212AA	FLOOR STANDING DRAWER STORAGE 12/12	150.70	150.70
1	DFB6612AA	FLOOR STANDING DRAWER STORAGE 6/6/12	157.04	157.04
1	EOS11SA	POWER OUTLETS W/SAFETY GROUND SGL	6.04	6.04
1	EOS22SA	POWER OUTLETS W/SAFETY GROUND SGL	6.04	6.04
1	EOS33SA	POWER OUTLETS W/SAFETY GROUND SGL	6.04	6.04
2	ERA236A	4C/8W RWY ASSY	42.58	85.16
1	ESECO	SIDE ENTRY HARDWIRE PWR CABLE	44.39	44.39
1	FDCS48L	STEEL FLIPPER DOOR CABINET W/LOCK 15"H X 48"W X 15"D	174.25	174.25
2	KAA67240	ACOUSTICAL ACCESS PANEL	195.39	390.78
2	KAA67360	ACOUSTICAL ACCESS PANEL	237.07	474.14
2	KAA67480	ACOUSTICAL ACCESS PANEL	271.80	543.60
1	KB2A0	KEYBOARD W/MOUSE PAD STANDARD BLACK	146.47	146.47
3	KCK967APP	CONNECTOR/TRIM KIT	32.31	96.93
2	KCKE67APP	FINISHED END TRIM KIT	31.41	62.82
2	KCKSP00P	STRAIGHT LINE CONNECTOR/TRIM KIT	4.53	9.06
2	LTPG361EH	TASKLIGHT STD ELECTRONIC BALLAST BLACK FOR 42", 48"	60.70	121.40
5	NCI	NO COST ITEM		
1	OFS480	OPEN SHELF 15"H X 48"W X 15"D	156.13	156.13
1	WGF364CC0	CORNER WORK SURFACE W/SUPPORT RADIUS EDGE 36"W X 24"D	154.62	154.62
1	WGR4840C0	RECT WORK SURFACE W/RH CANT RADIUS EDGE 48"L X 24"D	86.37	86.37
1	WGR484C00	RECT WORK SURFACE W/LH CANT RADIUS EDGE 48"L X 24"D	86.37	86.37
1	WHPC	WORK SURFACE HARDWARE PACK PAIR	7.25	7.25
	Total:			2965.60

Typical No.9

8' X 8'

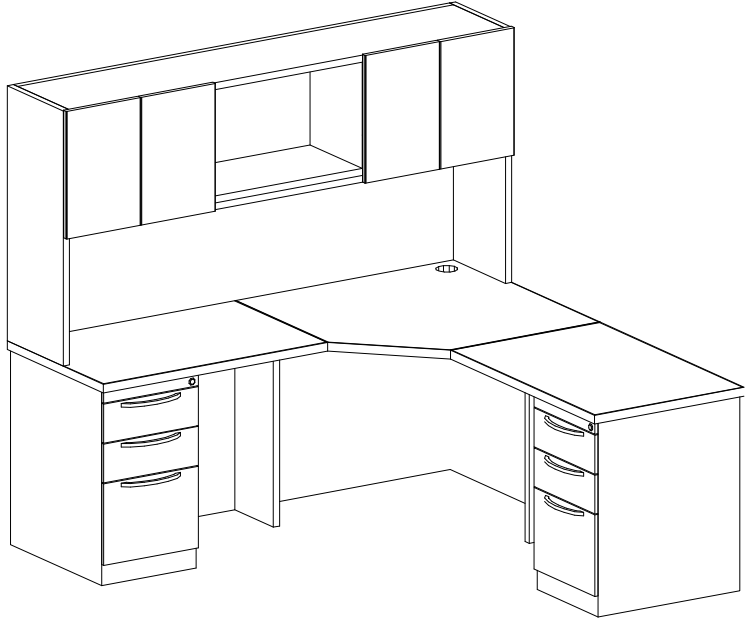
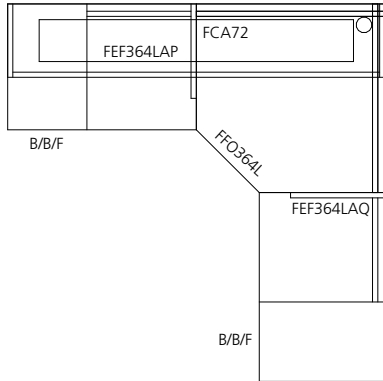
Essentials Product U-Shaped Workstation



Count	Part #	Description	Sell	Extended Sell
1	DFB6612AA	FLOOR STANDING DRAWER STORAGE 6/6/12	157.04	157.04
1	DLS2360AA	LATERAL FILE WITH SOLID FRONT 2 DRAWERS 27"H X 36"W X 18"D	223.48	223.48
1	EOS11SA	POWER OUTLETS W/SAFETY GROUND SGL	6.04	6.04
2	EOS22SA	BASE DUPLEX RECEP 5-15R-SAFETY GROUND 2 CIRCUIT	6.04	12.08
1	EOS33SA	POWER OUTLETS W/SAFETY GROUND SGL	6.04	6.04
2	ERA236A	4 CIRCUIT/8 WIRE RACEWAY ASSY	42.58	85.16
1	ERA248A	4C/8W RWY ASSY	42.58	42.58
1	ESECO	SIDE ENTRY HARDWIRE PWR CABLE	44.39	44.39
1	ETC0240	4 CIRCUIT/8 WIRE TRANSMISSION CABLE	20.54	20.54
2	ETC0300	4 CIRCUIT/8 WIRE TRANSMISSION CABLE	20.54	41.08
2	FDCS48L	STEEL FLIPPER DOOR CABINET W/LOCK 15"H X 48"W X 15"D	174.25	174.25
1	FFCD0	FRAMEWORK FREESTANDING CENTER DRAWER	54.06	54.06
2	KAA67240	ACOUSTICAL ACCESS PANEL	195.39	390.78
3	KAA67300	ACOUSTICAL ACCESS PANEL 67" X 30"	217.74	653.22
2	KAA67360	ACOUSTICAL ACCESS PANEL	237.07	474.14
1	KAA67360	ACOUSTICAL ACCESS PANEL 67" X 36"	237.07	237.07
2	KAA67480	ACOUSTICAL ACCESS PANEL	271.80	543.60
1	KB2A0	KEYBOARD W/MOUSE PAD STANDARD BLACK	146.47	146.47
4	KCK967APP	CONNECTOR/TRIM KIT	32.31	129.24
2	KCKE67APP	FINISHED END TRIM KIT	31.41	62.82
5	KCKSP00P	STRAIGHT LINE CONNECTOR/TRIM KIT	4.53	22.65
2	LTPG361EH	TASKLIGHT STD ELECTRONIC BALLAST BLACK FOR 42" , 48"	60.70	121.40
6	NCI	NO COST ITEM		
1	WGR4850C0	RECT WORK SURFACE W/RH CANT RADIUS EDGE 48"L X 30"D	102.38	102.38
1	WGR485CC0	RECT WORK SURFACE W/SUPPORT RADIUS EDGE 48"L X 30"D	123.82	123.82
1	WGR664CC0	RECT WORK SURFACE W/SUPPORT RADIUS EDGE 66"L X 24"D	152.51	152.51
1	WGR724C00	RECT WORK SURFACE W/LH CANT RADIUS EDGE 72"L X 24"D	140.73	140.73
1	WHPC	WORK SURFACE HARDWARE PACK PAIR	7.25	7.25
	Total:			4349.07

Typical No.10

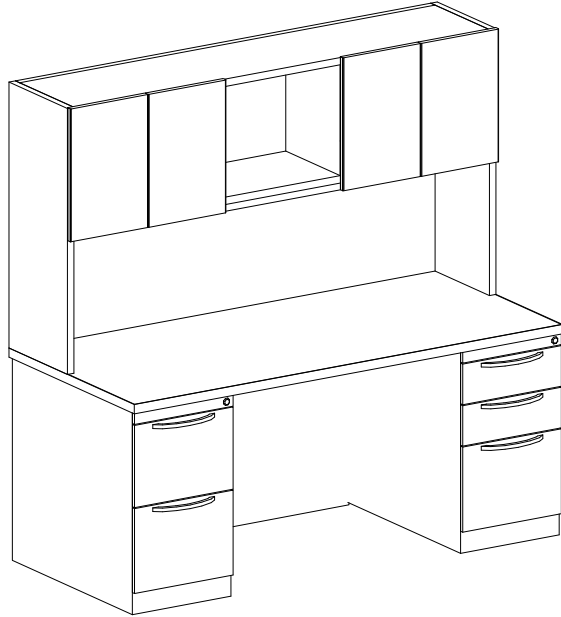
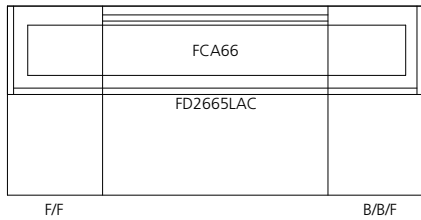
Freestanding Corner Desk with Returns
72" W x 72" D with Hutch/TL & Tackbd



Count	Part #	Description	Sell	Extended Sell
1	FCA72LA	CLOSED OVERHEAD STORAGE UNIT W/LAMINATE DOOR 72"	936.80	936.80
1	FEF364LAP	LAM TOP CORNER EXT 36X24 FULL HGTMOD PT ARCH HDL B/B/F-LH	363.91	363.91
1	FEF364LAQ	LAM TOP CORNER EXT 36X24 FULL HGTMOD PT ARCH HDL B/B/F-RH	363.91	363.91
1	FFO364L00	LAMINATE TOP CORNER COMPUTER TABLE 36 X 24	312.87	312.87
1	LTFG601EH	TASKLIGHT OVERHEAD STORAGE 59X4.4X1.3 FITS 66/72 BLACK	71.27	71.27
Total:				2048.76

Typical No.11

Freestanding Desk
66" W x 30" D with Hutch/TL & Tackbd

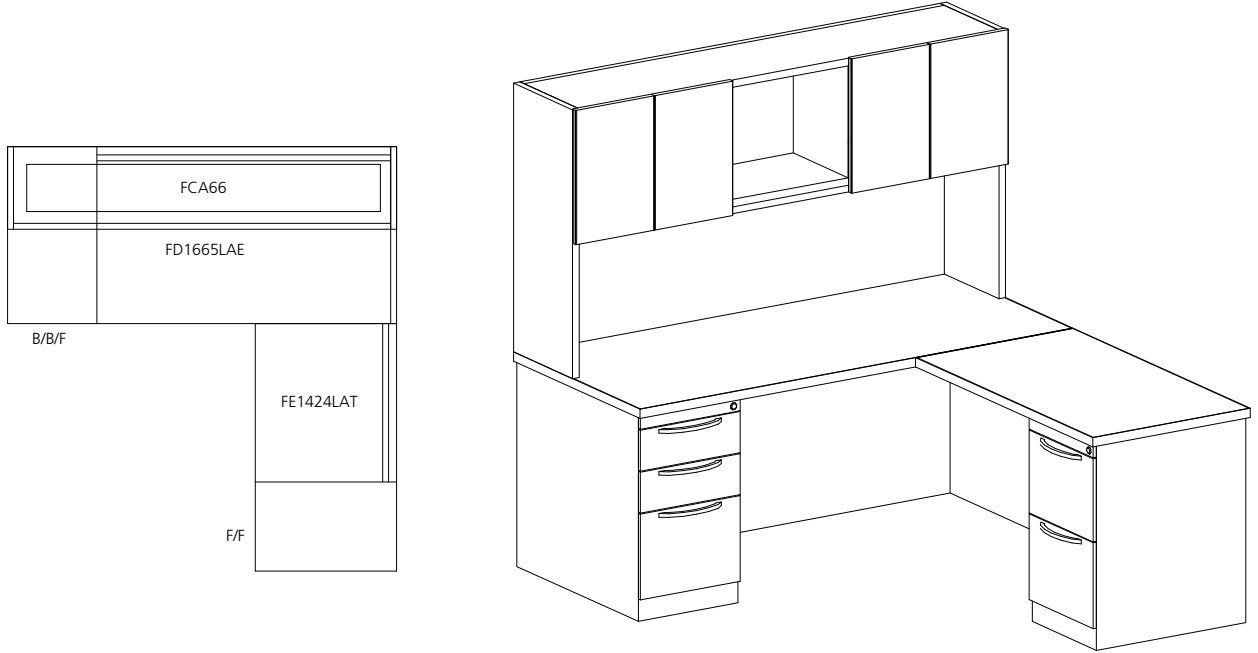


Count	Part #	Description	Sell	Extended Sell
1	FCA66LA	CLOSED OVERHEAD STORAGE UNIT W/LAMINATE DOOR 66"	868.25	868.25
1	FD2665LAC	LAM TOP RECT DESK 66X30 FULMODPT ARCH HDL F/F LH B/B/F RH	597.36	597.36
1	LTFG601EH	TASKLIGHT OVERHEAD STORAGE 59X4.4X1.3 FITS 66/72 BLACK	71.27	71.27
	Total:			1536.88

Typical No.12

Freestanding SP Desk

66" W x 72" D with Return, Hutch/TL & Tackbd



Count	Part #	Description	Sell	Extended Sell
1	FCA66LA	CLOSED OVERHEAD STORAGE UNIT W/LAMINATE DOOR 66"	868.25	868.25
1	FD1665LAE	LAM TOP RECT DESK 66X30 FULL HGT MOD PT ARCH HDL B/B/F-LH	513.40	513.40
1	FE1424LAT	LAM TOP DESK EXT 42X24 FULL HGTMOD PT ARCH HDL F/F-RH	311.36	311.36
1	LTFG601EH	TASKLIGHT OVERHEAD STORAGE 59X4.4X1.3 FITS 66/72 BLACK	71.27	71.27
	Total:			1764.28

Since 1886, American Seating has set the standard for product design, durability and comfort. Today, we remain committed to exceeding the expectations of our customers. Our achievements serve as the platform for new and innovative products that continue to be the benchmark of our industry.



A History of Innovative > **SOLUTIONS**

401 American Seating Center
Grand Rapids, MI 49504-4499
Phone 616-732-6600 800-748-0268
FAX 616-732-6401
americanseating.com
A-TYPICALS-10