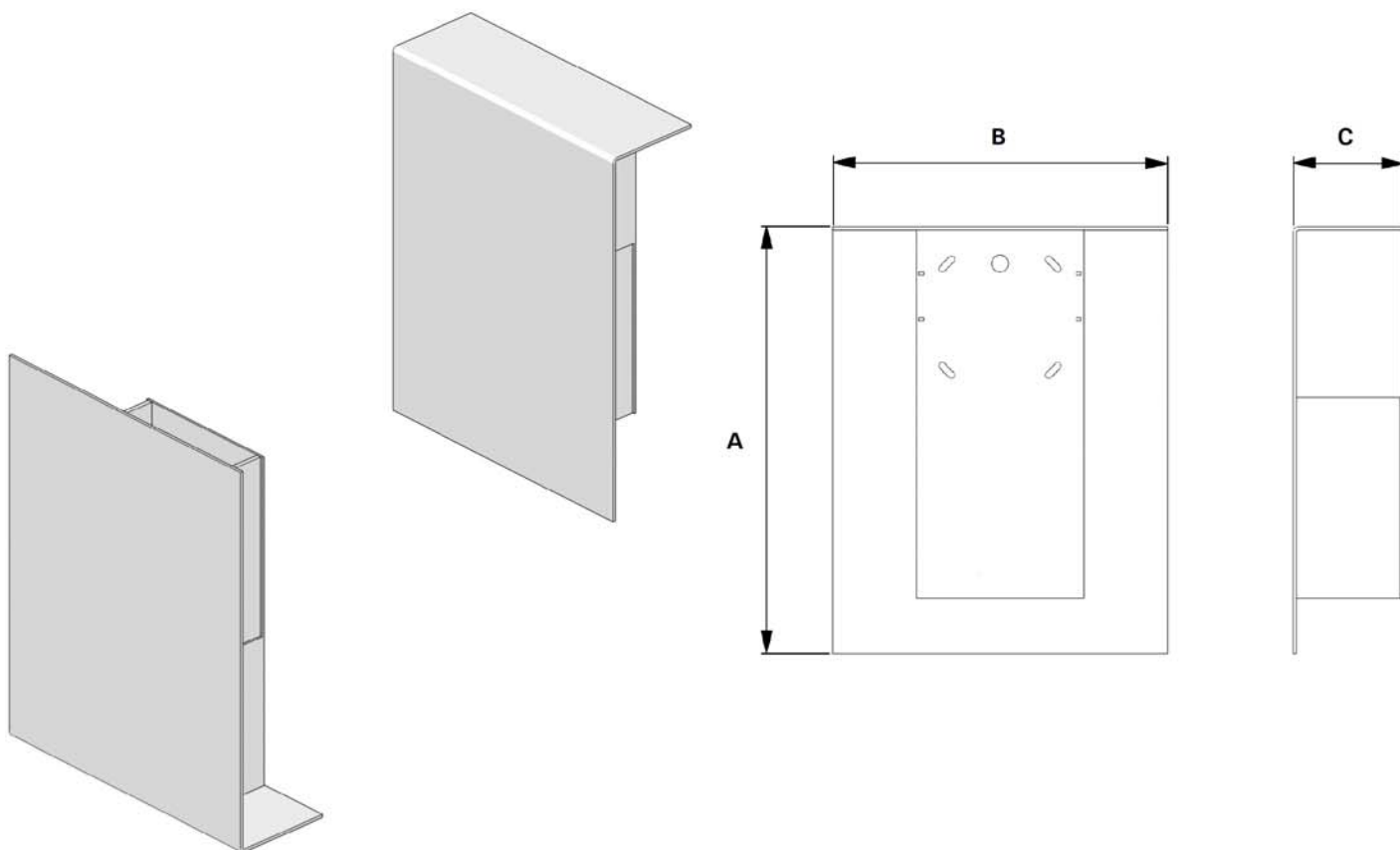


David Chipperfield, 2007



CODE	VOLTAGE	BULB	DIMENSIONS IN CM
5585	120V	1x18W G24 q2	A: 25 - B: 20 - C: 7

### CLEANING

Use only damp cloth with mild soap. Do not use alcohol or solvent. Keep these instructions for future reference.

### WARNING

Disconnect current prior to any assembling or repair. If not familiar with electrical connections, contact a qualified electrician. Keep these instructions for future reference.

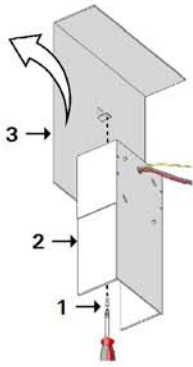


Before any operation on the fixture, please disconnect the power supply.

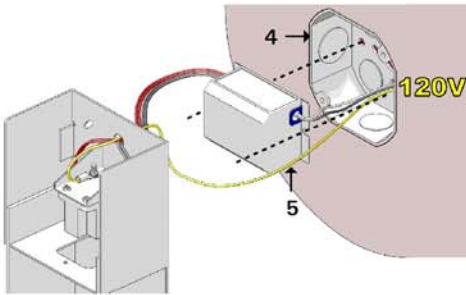


In case of damage to the feeding cable, please contact a FontanaArte dealer or qualified personnel for replacement.

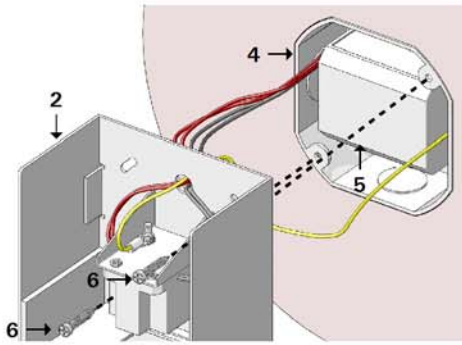
FontanaArte reserves the right to introduce all changes required for the improvement of the present product at any time and without prior notice.



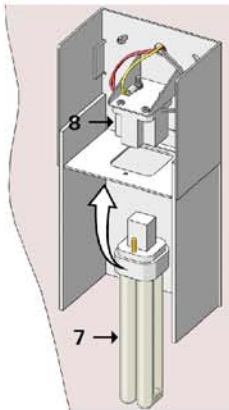
Loosen screw (1) in order to separate bottom (2) from plate (3).



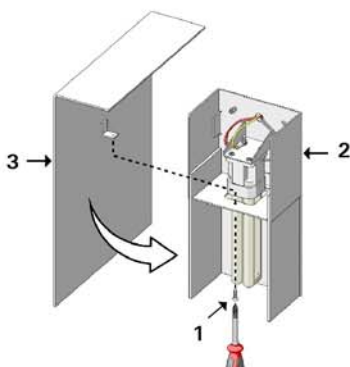
An octagonal junction box is required for this installation. The wiring must enter in j-box (4) from the side. Carry out the electrical connections: the black wire from ballast (5) must be connected to the black wire in the box and the white wire from the ballast to the white wire in the box.



Insert ballast (5) in j-box (4) and fix bottom (2) to the j-box by means of the two screws (6).



Insert bulb (7) in the proper lamp holder (8).



Fix plate (3) to bottom (2) by means of screw (1).