

## SPECIFICATIONS

- Available in 2<sup>3</sup>/<sub>8</sub>" or 2<sup>3</sup>/<sub>4</sub>" backsets. Please specify backset and door thickness at time of order.
- Suitable for most pre-existing bores for cylindrical locks.
- Supplied with Schlage "C" keyway as a standard. Available on special order with a variety of other keyways and key combinations.
- Deadbolt employs standard mortise cylinder for ease of re-keying and key changes.

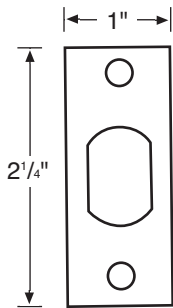
## LOCK FUNCTIONS

- A — Activated by key outside and turnpiece inside.
- AC — Activated by key only from either side.

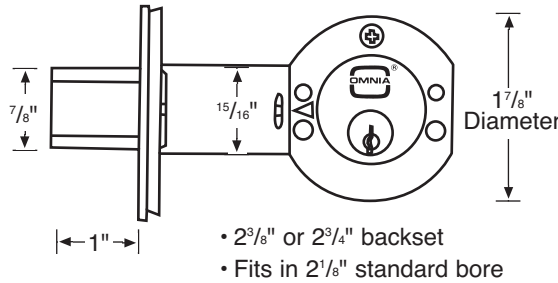
## Supplied with:

- 2<sup>3</sup>/<sub>4</sub>" x 1<sup>1</sup>/<sub>8</sub>" finished strike.
- 2<sup>3</sup>/<sub>4</sub>" x 1<sup>1</sup>/<sub>8</sub>" x 3<sup>3</sup>/<sub>16</sub>" armored strike reinforcement.
- Two #10 x 3" wood screws to reach door frame studs, two #8 x 3<sup>3</sup>/<sub>4</sub>" combo wood/metal screws, two #8 x 3<sup>3</sup>/<sub>4</sub>" sheet metal screws, and dustbox.

### FACEPLATE



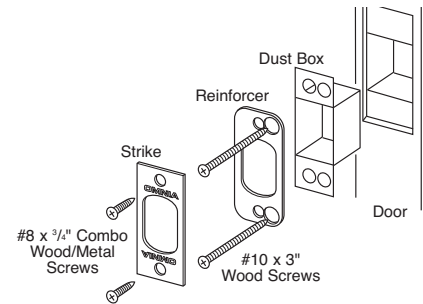
### HIGH SECURITY DEADBOLT



- 2<sup>3</sup>/<sub>8</sub>" or 2<sup>3</sup>/<sub>4</sub>" backset
- Fits in 2<sup>1</sup>/<sub>8</sub>" standard bore

Made in U.S.A.

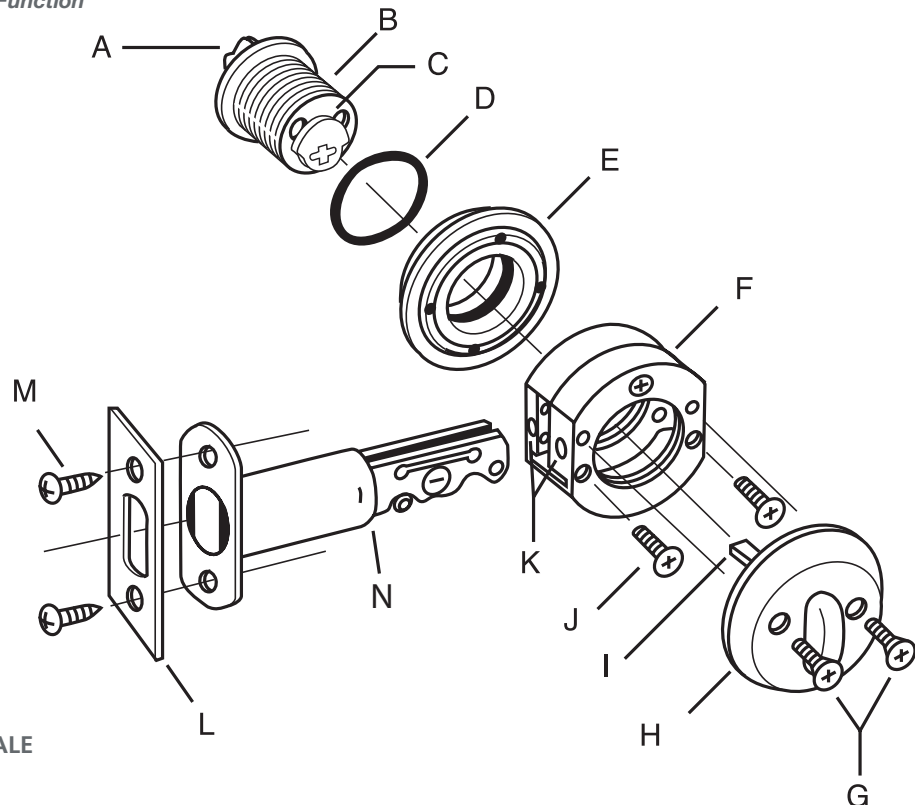
### INSTALLATION OF DUST BOX, REINFORCER AND STRIKE



## AUXILIARY DEADBOLT — Exploded View

*Shown as "A" Function*

- A — Key
- B — Cylinder
- C — Cam
- D — "O" Ring
- E — Rose
- F — Housing
- G — Rose Screws
- H — Turnpiece  
Rose Assembly
- I — Tailpiece
- J — Housing Screws
- K — Cylinder Set  
Screws
- L — Faceplate
- M — Screws
- N — Deadbolt



DRAWINGS NOT TO SCALE