

PRODUCT DATA

Narrow Plate Latchsets

- Features our tubular latch used worldwide.
- For commercial and residential use. *For commercial use, please specify at time of order.*
- 2³/₈" and 2³/₄" backsets available.
- Supplied for 2³/₈" backset and 1³/₈" door thickness unless otherwise specified.
- All levers are ADA approved.

Functions

Passage: Latch operates by knob or lever from either side.

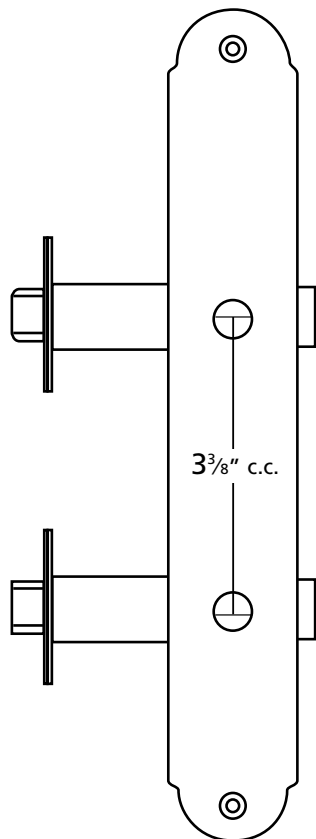
Privacy: Latch operates by knob or lever from either side. Locks by privacy bolt with turnpiece on inside; emergency release on outside plate. For bathroom or bedroom.

Pair Dummy: Trim only. Available for surface mounting or with thru-bolt assembly. *Dummy lever application not recommended for commercial use.*

Single Dummy: Trim, one side only. Surface mounted. *Dummy lever application not recommended for commercial use.*

Solid Brass Backplates

13000 Series	9 ³ / ₈ " x 1 ¹ / ₁₆ " x 1/4" proj.
14000 Series	9 ³ / ₁₆ " x 1 ⁹ / ₁₆ " x 1/4" proj.
16000 Series	9 ³ / ₈ " x 1 ³ / ₈ " x 1/4" proj.
17000 Series	8 ¹ / ₄ " x 1 ⁵ / ₁₆ " x 7/32" proj.
18000 Series	9 ¹ / ₄ " x 1 ¹ / ₁₆ " x 7/32" proj.
19000 Series	9 ⁷ / ₁₆ " x 1 ¹ / ₂ " x 1/4" proj.
21000 Series	10 ⁹ / ₁₆ " x 1 ³ / ₄ " x 1/4" proj.
22000 Series	11 ⁷ / ₁₆ " x 1 ³ / ₄ " x 1/4" proj.



DRAWING NOT TO SCALE

Mortise Privacy Bolt

- 455/238 Privacy Bolt: 2³/₈" backset.
- 455/234 Privacy Bolt: 2³/₄" backset.

Item No. 455

Finishes
 US3
 US26
 US26D
 SB
 US10B
 US15A
 US15

Available in 2³/₈" and 2³/₄" backsets.

Supplied with an outside rose for emergency release.

Faceplate: 2¹/₄" x 1", Strike: 2³/₄" x 1¹/₈"
 Inside Rose: 1³/₄" dia. x 1/4" depth
 Inside Turnpiece: 1⁵/₈" x 1¹/₈" proj.
 Bolt: 9/16" throw solid brass bolt



All Omnia lever latchsets meet ADA accessibility requirements.