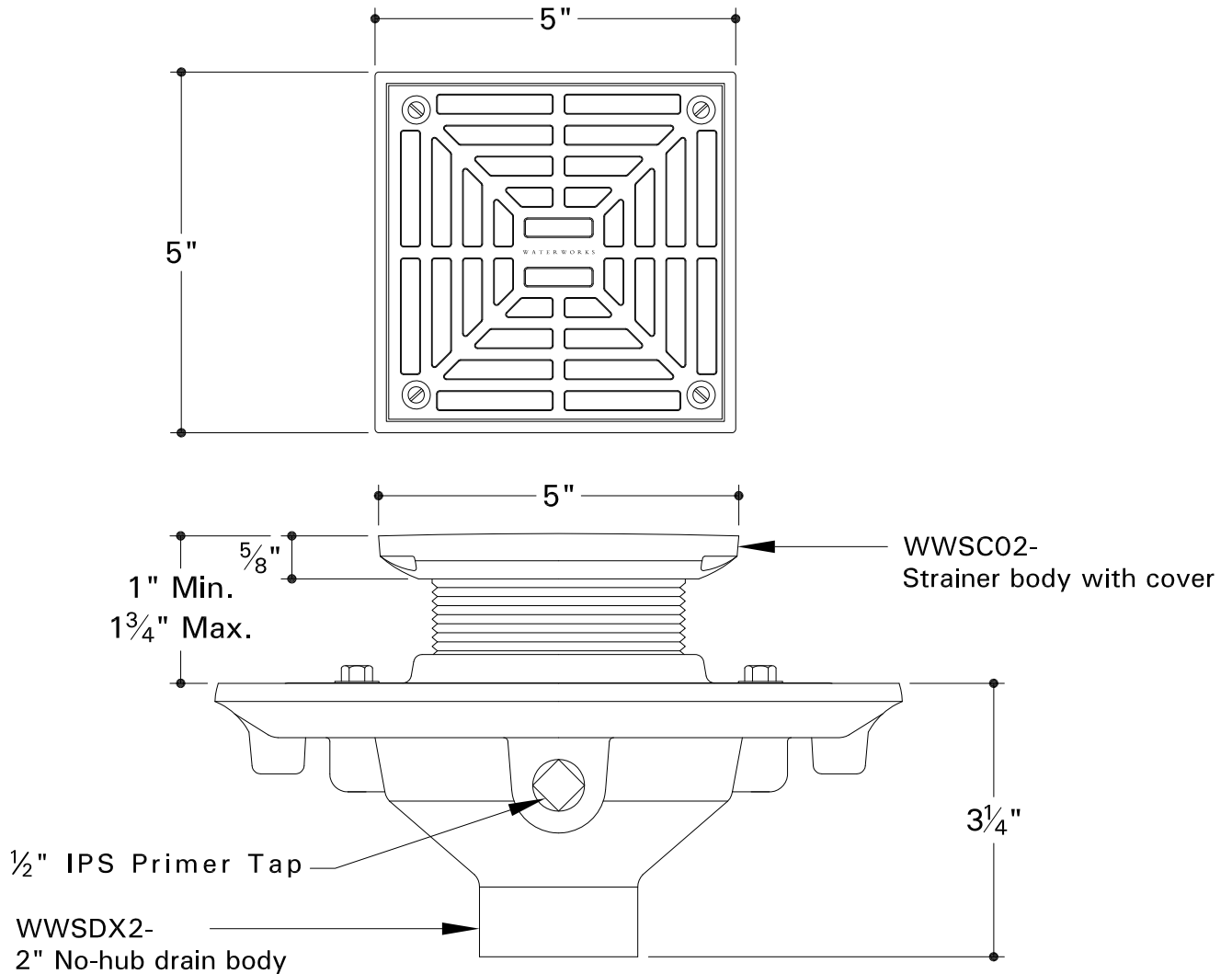


SHOWER DRAIN
WWSD02-K (WWSDX2 & WWSC02)



Note:

- 2" No-hub outlet connection.
- See Installation Guideline for additional installation information.
- Please consult licensed plumbing contractor to advise drain body connection type.

Additional Drain Body Options:

- WWSDX1: 2" hub outlet with slip joint gasket connection.
- WWSDX3: 2" IPS threaded outlet connection.

All dimensions are based on original specifications and are subject to change and variation. Please consult your Design Associate for current specification.