

C A N D I D E

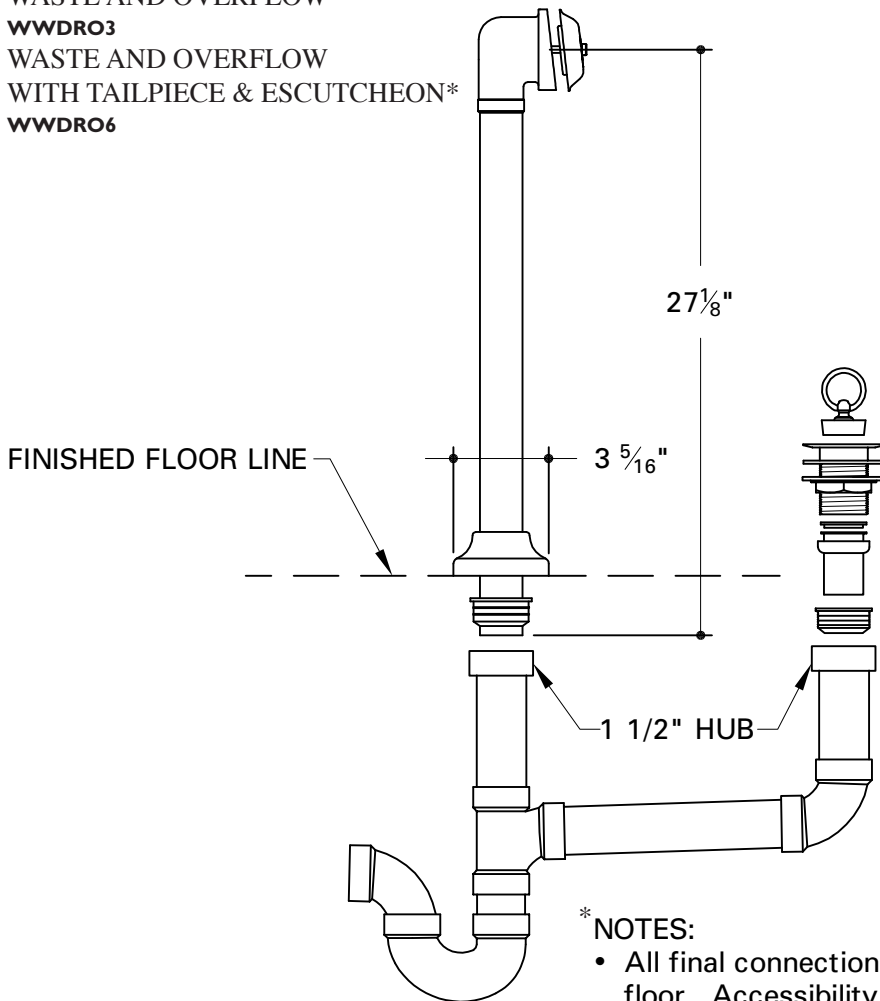
WASTE AND OVERFLOW

WWDR03

WASTE AND OVERFLOW

WITH TAILPIECE & ESCUTCHEON*

WWDR06



* NOTES:

- All final connections are made below the finished floor. Accessibility below the finished floor is recommended.
- For installations that have access from below the finished floor, trap adapters can be used instead of the TY seals supplied.
- For installations where access from below the finished floor is limited, i.e. slabs, the TY seals supplied are required.
- TY seals should be installed approximately 1 1/2" - 3" below the finished floor to make final connections on installations where access from below the finished floor is limited, i.e. slabs.
- See Installation Guidelines for detailed explanation for setting the bathtub and drain.
- DWV pipe and fittings are not supplied.
- Optional Tailpiece not shown.

All dimensions are based on original specifications and are subject to change and variation. Please consult your Design Associate for current specification.