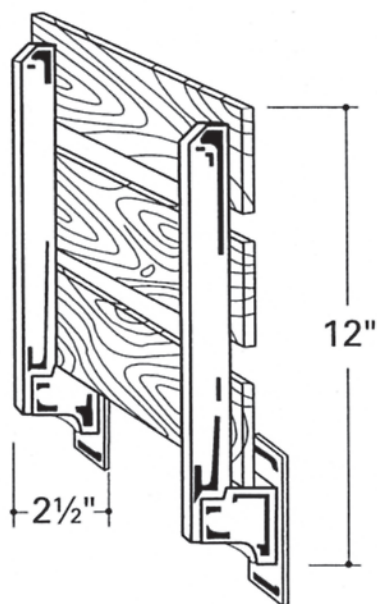


TEAK BATH SEAT
WWMS41



Note:
Blocking required
Must be 2"x 6" or equivalent to
ensure adequate support

Dimensions:
Seat down: 18³/₄" wide
12³/₄" projection
Seat up: 2¹/₂" projection

Components:
Seat Assembly
2 Wall Plates
2 Lag Screws (3/8" x 4")
2 Anchors

All dimensions are based on original specifications
and are subject to change and variation.
Please consult your Design Associate for current
specification.