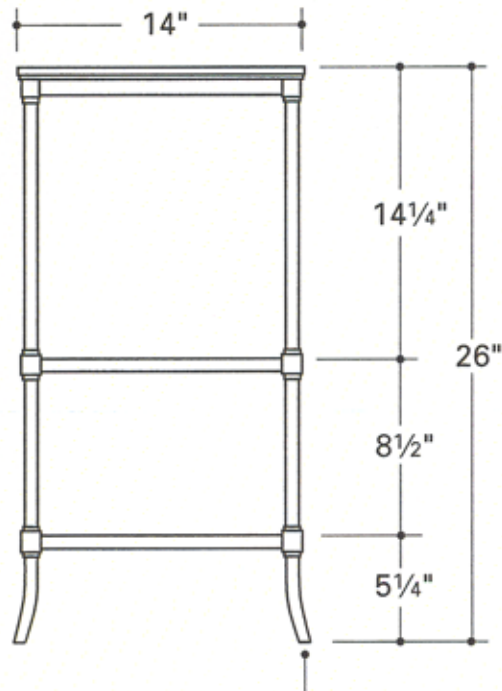
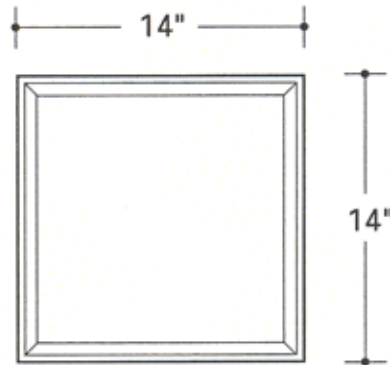


THREE-TIERED ETAGERE

**EAFN 03** (nickel frame only)

**EAFN 03B-K** (nickel frame with black glass top and shelves)

**EAFN 03C-K** (nickel frame with mirror top and clear glass shelves)



Nylon glides protect floor

All dimensions are based on original specifications and are subject to change and variation. Please consult your Design Associate for current specification.

Note:  
Glass is removable and may be purchased separately.