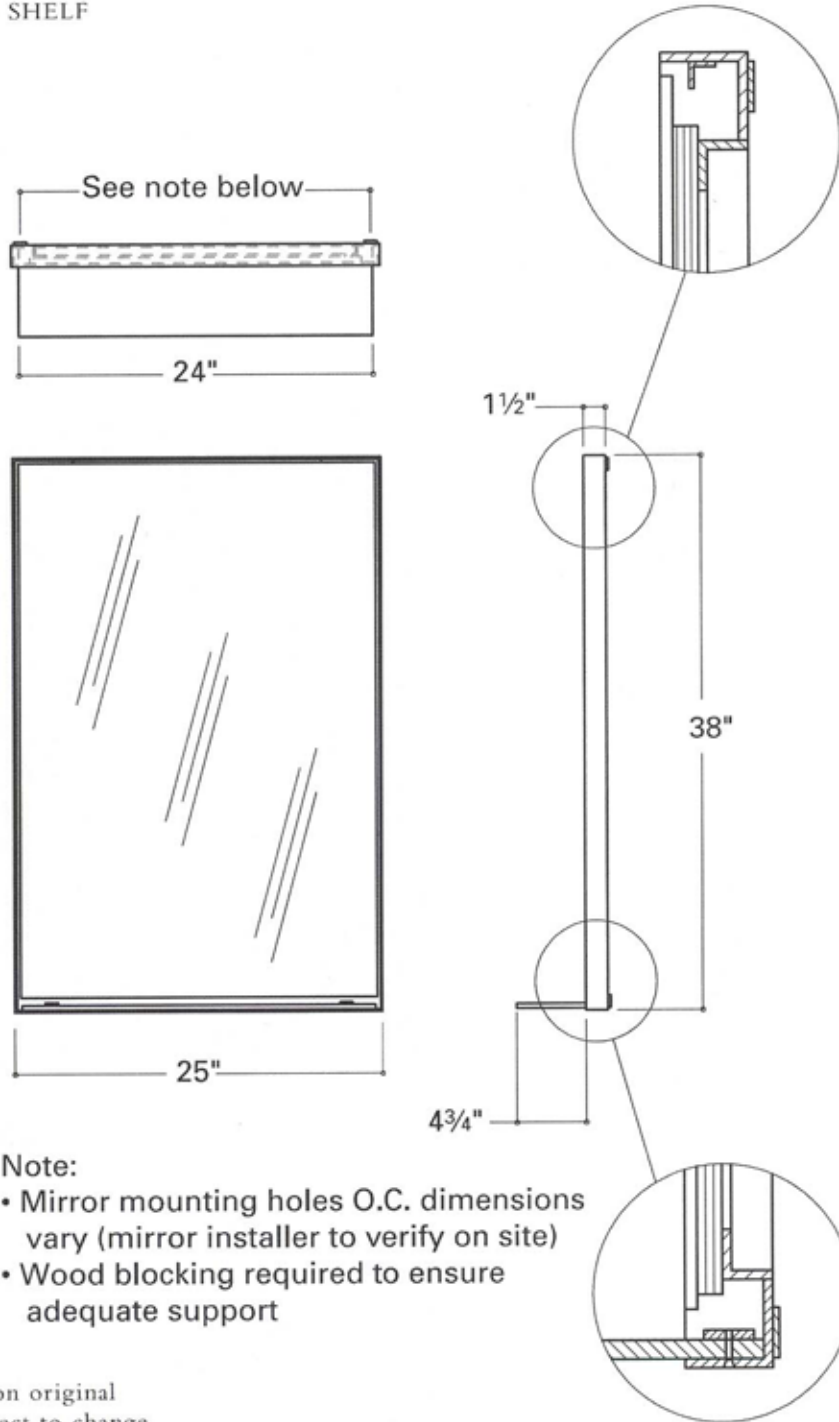


METAL MIRROR WITH SHELF  
OPMR38



Note:

- Mirror mounting holes O.C. dimensions vary (mirror installer to verify on site)
- Wood blocking required to ensure adequate support

All dimensions are based on original specifications and are subject to change and variation.  
Please consult your Design Associate for current specification.