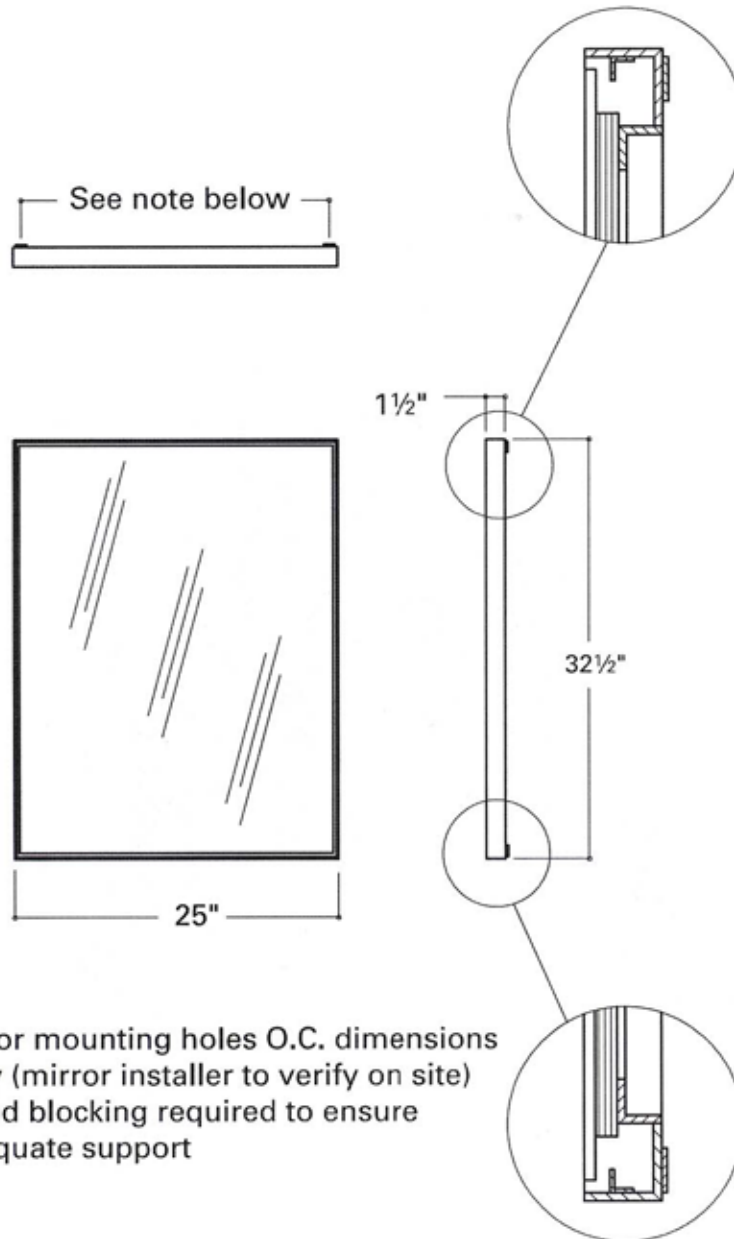


METAL MIRROR
OPMR32



- Note:
- Mirror mounting holes O.C. dimensions vary (mirror installer to verify on site)
 - Wood blocking required to ensure adequate support

All dimensions are based on original specifications and are subject to change and variation.
Please consult your Design Associate for current specification.