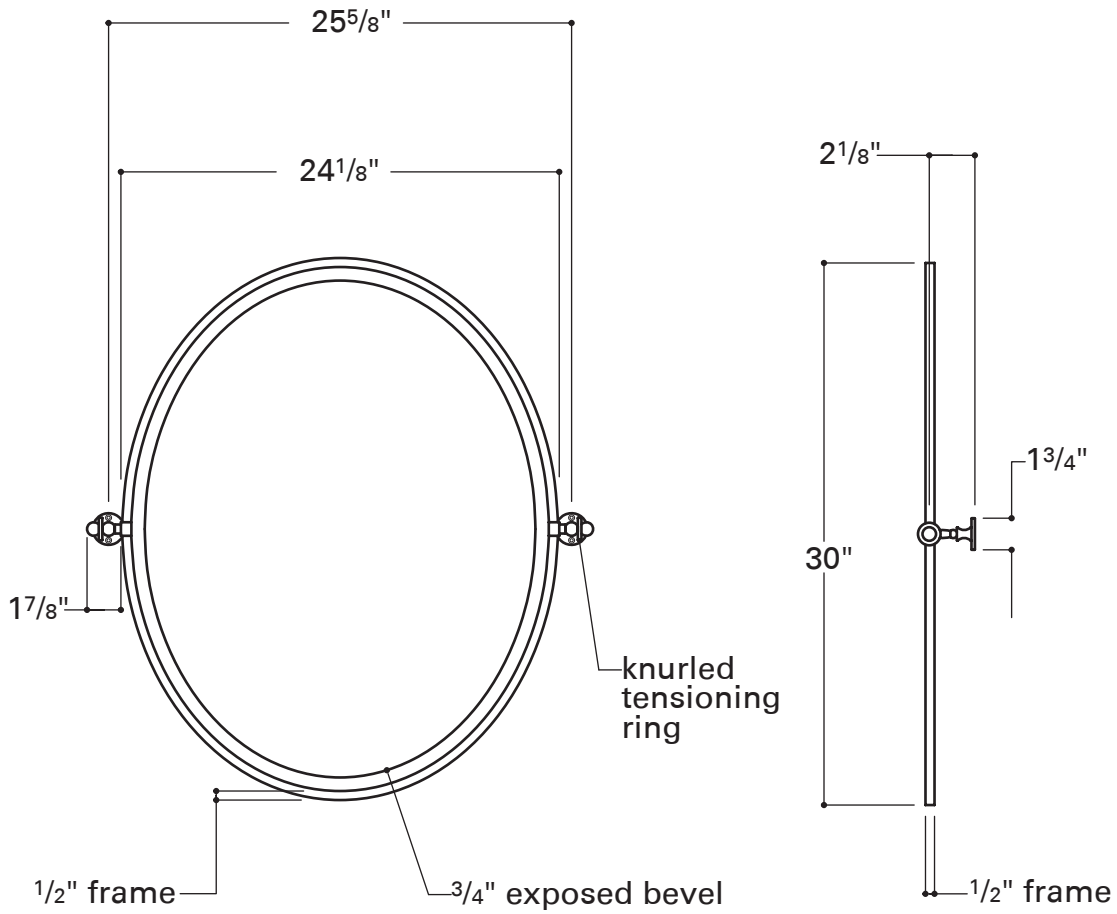


OVAL TILT MIRROR
CRMR43



Note:

- Wood blocking is recommended to ensure adequate support.
- Mounting screws provided.

All dimensions are based on original specifications and are subject to change and variation. Please consult your Design Associate for current specification.