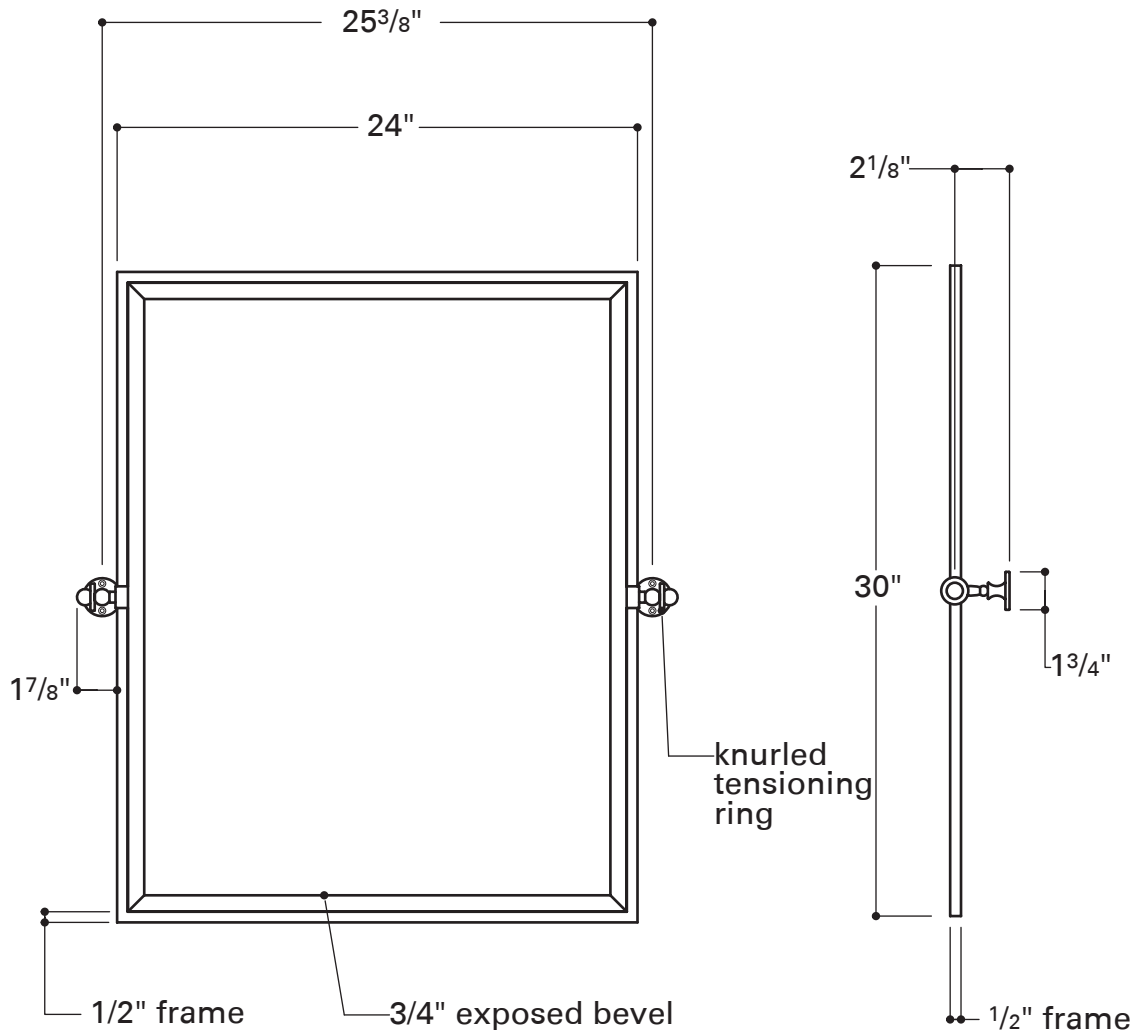


RECTANGULAR TILT MIRROR  
**CRMR48**



**Note:**

- Wood blocking is recommended to ensure adequate support.
- Mounting screws provided.

All dimensions are based on original specifications and are subject to change and variation. Please consult your Design Associate for current specification.